

 **CORGHI**

 **USA**

**artiGLio** *Master* **CODE**



TECHNOLOGY  
PARTNER  
*product*



# **ARTIGLIO** *Master* **CODE**

Half a century since the invention of the Artiglio and eleven years since the introduction of "Leva la leva" (leverless) technology, CORGHI sets the benchmark higher once again with the **ARTIGLIO MASTER CODE**.

With automatic wheel dimension acquisition enabling automatic tool positioning, and the invaluable Smart Corghi System demounting procedure, the MASTER CODE **rewrites the rule book for tire changers**, demonstrating once again Corghi's unrivalled ability to continuously steer the evolution of the sector.

The goals set for these new machines were to achieve an even higher degree of automatism, to increase performance and efficiency with all wheel types and to reduce the use of that increasingly precious commodity - time. The computerised **Touch Screen** system guides the operator through all procedures and suggests the best possible solution to any problem encountered.

MASTER CODE is compatible with all tire types, from Run Flat-UHP tires to both small and large balloon tires.

This latest creation from CORGHI - **THE ONLY INNOVATOR IN THE TIRE CHANGER SEGMENT** - makes work safer, simpler and quicker for the tire service professional while ensuring total protection for the rim and tire.



- |   |  |
|---|--|
| <ul style="list-style-type: none"> <li>1 WHEEL DATA SELF-ACQUISITION</li> <li>2 SMART CORGHI SYSTEM</li> <li>3 DUAL BEAD BREAKER WITH CONTROLLED PENETRATION</li> <li>4 AUTOMATIC LUBRICATION DIRECTLY ON THE BEAD</li> <li>5 MOBILE CONTROL CONSOLE</li> <li>6 INTERACTIVE TOUCH SCREEN</li> <li>7 NEW INTELLIGENT ELECTROMECHANICAL TURNTABLE</li> <li>8 INTEGRATED FULLY ARTICULATED LIFTER</li> </ul> | <ul style="list-style-type: none"> <li>9 TPMS DISPLAY</li> <li>10 BEAD DEPRESSOR</li> <li>11 LATEST GENERATION INVERTER MOTOR</li> <li>12 "INFLATRON" ELECTRONIC INFLATOR</li> <li>13 VIDEO CAMERA WITH IMAGE RECALLABLE FROM SCREEN AT ANY TIME DURING WORK</li> <li>14 TREAD DEPTH PROBE</li> <li>15 TIRE TEMPERATURE SENSOR</li> <li>16 ERGONOMIC PEDAL CONTROLS</li> </ul> |
|---|--|

## 1 WHEEL DATA SELF-ACQUISITION

- self acquisition of wheel dimensions
- automatic tool positioning
- intelligent and very user friendly
- three wheel type settings
- quick
- safe
- ergonomic
- AUTOMATIC or MANUAL work cycle selection



interactive touch screen



wheel data self-acquisition



automatic tool positioning

## 2 SMART CORGHI SYSTEM



- Smart Corghi System demounting procedure
- minimised tire stress
- absolutely NO contact with rim!!!
- automated, synchronised tire demounting and mounting



## 3 DUAL BEAD BREAKER WITH CONTROLLED PENETRATION

- dual pneumatic bead breaker penetrator
- maximum rigidity
- maximum efficiency and precision
- dual opposed bead breaker discs with separately controlled cylinders



#### 4 AUTOMATIC DIRECT LUBRICATION



- automatic direct lubrication of lower and upper bead
- direct lubrication during dynamic bead breaking ensures maximum efficiency even with most stubborn tires

#### 5 MOBILE CONTROL CONSOLE



- freely adjustable mobile control console
- simple, quick and intuitive controls
- extreme user friendly manual cycle

total control in all manual operations

#### 6 INTERACTIVE TOUCH SCREEN

- interactive multifunctional TFT-LCD TOUCH SCREEN interface with microprocessor control
- USB port for software databases update, and for loading files and videos
- playback capability for demonstration videos
- scheduled maintenance reminder, self-diagnosis, sensor state check and fault indication
- online help with instruction manual and special procedures (WDK, BSR, RFT, UHP)



high degree of machine-operator interactivity



online help content display



playback of video clips of certain procedures

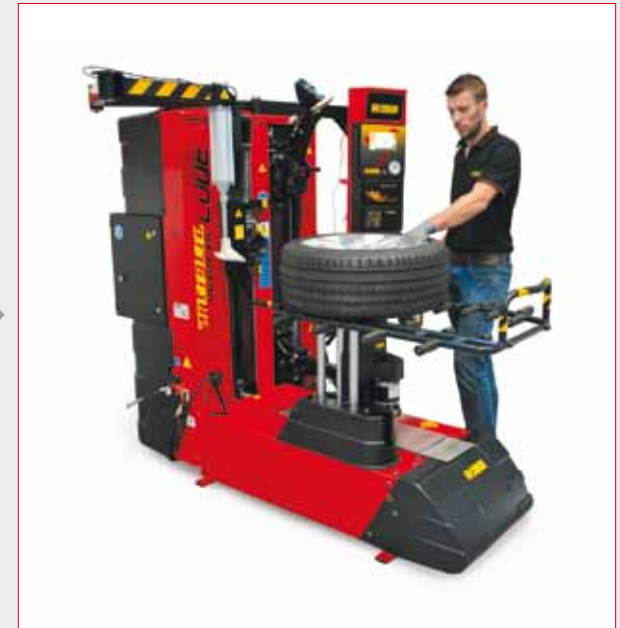
#### 7 NEW INTELLIGENT ELECTROMECHANICAL TURNTABLE



- intelligent electromechanical turntable
- new patented wheel clamp system
- fast
- simple
- reliable for all wheel types (comes equipped with additional specific flanges)

## 8 INTEGRATED LIFTER

- integrated fully articulated lifter with 85 Kg max. load capacity



## 9 INTEGRATED TPMS

- for checking functionality of sensors and viewing important information



displaying sensor parameters and spare parts list



instrument for capturing sensor parameters

## 10 BEAD DEPRESSOR

- bead depressor with adjustable working height
- depressor shape ideal for RFT tires
- WDK homologated



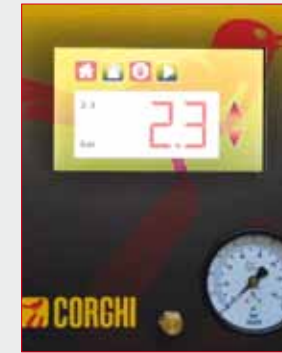
### 11 LATEST GENERATION INVERTER MOTOR

- second speed also available in reverse rotation mode
- torque control
- controlled acceleration curve to safeguard tire

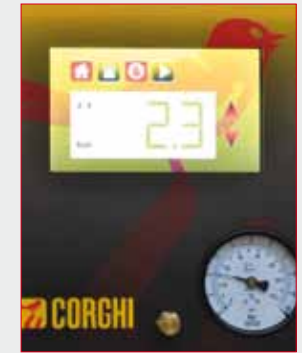


### 12 "INFLATRON" ELECTRONIC INFLATOR

- integrated, automated inflation and deflation system
- permits automatic inflation of tire while operator performs other operations for optimised time use
- overpressure inflation for bead insertion
- touch screen user interface
- Bar, PSI and kPa scales
- end of cycle indicator



pressure setting



pressure reached

### 13 VIDEO CAMERA WITH IMAGE RECALLABLE FROM SCREEN



video camera activatable during operations, positioned for a clear view of the lower side of the tire

### 14 TREAD DEPTH PROBE



tread depth measurement



tread depth values: shown with yellow background to indicate values near minimum limit



tread depth values: shown with red background to indicate values below minimum limit

### 15 TIRE TEMPERATURE SENSOR (IN ACCORDANCE WITH WDK REQUISITES)



temperature measurement



20-25°C, green = work on tire may proceed normally



15-19 and 21-30°C, yellow = proceed with caution



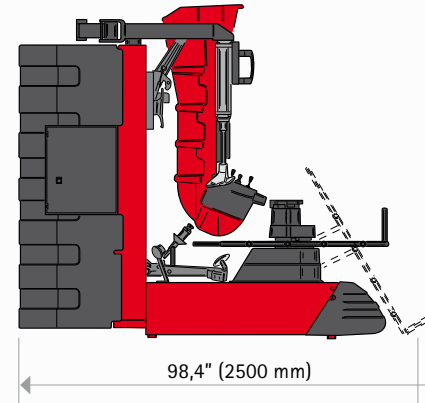
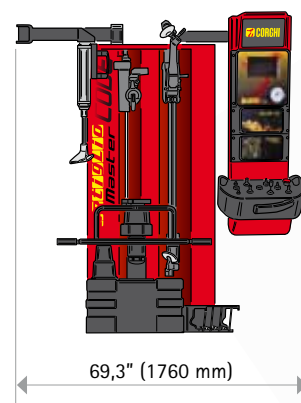
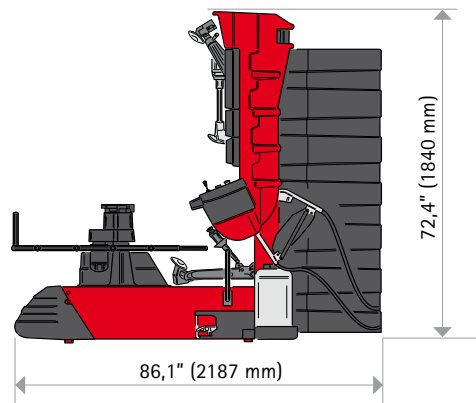
<15 and >30°C, red = do not work on tire

- real-time tire and bead temperature sensor
- maximum measurement speed and precision (resolution 0.1°C), with value displayable in Centigrade or Fahrenheit
- intuitive colour-based temperature indication in accordance with WDK requisites for working with RFT and UHP tires

## TECHNICAL DATA

Wheel dimension range	rim diameter	from 13" to 32"
	maximum tire diameter	47,2" (1200 mm)
Technical features	clamping	automatic
	drive system	2-speed inverter motor
	torque	885 ft/lb (1200 Nm)
	rotational speed	7-20 rpm
Bead breaking	maximum bead breaking range	19"
	upper bead breaker force	1641,1 lb <sub>f</sub> (7300 N)
	lower bead breaker force	1641,1 lb <sub>f</sub> (7300 N)
Contactless demounting/mounting tool set		
Wheel lifter load capacity		187,4 lb (85 Kg)
Power supply	electric 1Ph	230V-0.98 kW 50Hz/60 Hz
	electric 1Ph (alternative)	115V-0.98 kW 50Hz 60Hz
	pneumatic operating pressure	116 to 145 psi (8 to 10 bar)
Weight		1311,8 lb (595 Kg)

The manufacturer reserves the right to modify the features of its products at any time.



## VERSIONS

	Lifter	Bead depressor	Lubricator	Video camera	Inflatron	Tread probe	Temperature sensor
BASE	•	•					
SLIDE	•	•	•				
VISUAL	•	•		•	•		
VISUAL L	•	•	•	•	•		
INSPECTION	•	•				•	•
INSPECTION L	•	•	•		•	•	•
COMPLETE	•	•	•	•	•	•	•

YouTube



To protect the planet and reduce paper usage, our catalogues are viewable online at the website [www.corghi.com](http://www.corghi.com). Printing responsibly contributes to saving the environment.

P/N DPCG000397B - 04/2018



CORGHI Usa Inc. - 6067 Schumacher Park Dr - West Chester, OH 45069  
Local number (513) 874-5958 - Toll free 1-800-260-0968 - [www.corghiusa.us](http://www.corghiusa.us) - [info@corghiusa.us](mailto:info@corghiusa.us)