

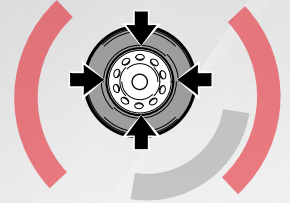


A9830



New swing arm tire changer A9830, now much more powerful and performing

26"



A9830 HBB WL

Redesigned tool head

Dynamic bead breaking device **hand operated**

New **wheel lifter** integrated in machine structure

For passenger car, SUV and commercial vehicle **wheels up to 26"** (from external)

A9830 HBB WL + helper PU1500 (optional)





A9830 HBB

The new **A9830** is much stronger and better performing. The newly added features improve ergonomics and ease of use.

Corghi's technology allows the operator to work quickly and in compliance with the highest professional standards on any type of wheel, from cars and SUVs to light commercial vehicles and even motorbikes (with optional adapters).

Integrated shelf for accessories and tools.

Rotation pedal has been designed to offer possibility of use in different positions.

Very useful when you have to operate with the Helper on the left.

NEW PLASTIC TOOL HEAD

4

Adjustable lubricating paste support

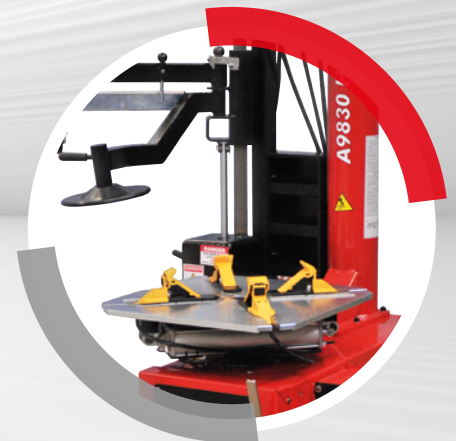
3

HAND OPERATED



NEW ERGONOMIC WORKING AREA

2 NEW WHEEL LIFTER

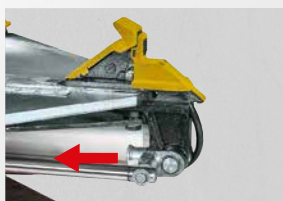


1 NEW STRUCTURE

New robust and durable structure for intensive use and greater working precision. The structure is completed by the efficient wheel clamping available for every occasion.

The turntable of A9830 is designed to offer high performance and compact size.

- The mechanism that allows working on wheels from 10" to 28" is patented.
- The device that changes the working range from 10" – 24" to 14" – 28" (external clamping) is easy to operate by hand.



- 2 NEW WHEEL LIFTER** The new lifter is **integrated** into machine structure, so it has no external encumbrance for the operator. This effortlessly **facilitates the movement** of the wheel from the lift to tabletop. The lift is a great workmate.



3 NEW BEAD BREAKING SYSTEM

First important feature is the **new HAND OPERATED SYSTEM**, with bead breaking action activated by hand. Very easy and intuitive system that thanks to **smart activation trough hand** allows to open and close the bead breaker arm.



4 NEW PLASTIC TOOL HEAD

- New and innovative plastic tool head (patented). The cutting-edge design of the tool head ensures **improved performance** and much easier mounting and demounting of the tire: thanks to the new design (patented), **the wing guides the bead** into the drop-center thus helping mounting and limiting any stress on the bead.
- **Stronger: thicker material** in the lever working area ensures greater strength even for intensive use and hard tires.

BEAD GUIDE



Others important features are the many settings of the bead breaker arm.

Settings allow to **correctly position** the bead breaker blade in relation to the wheel width.



A9830

FOOT OPERATED BEAD BREAKER

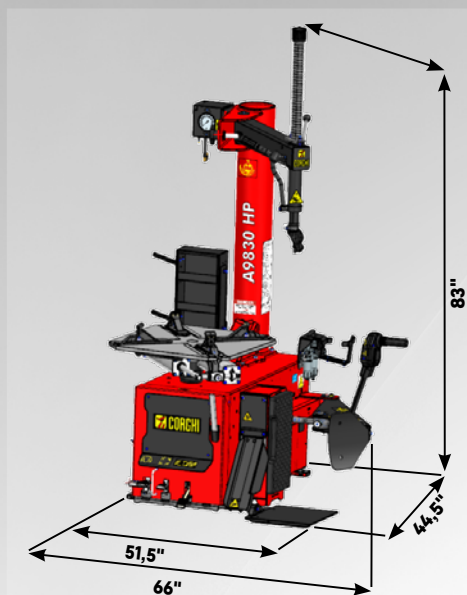
The A9830 is everything you expect from on A9824, but with **a larger cabinet, turntable and bead breaker.**

This allows the A9830 to change tires on wheels up to 30" with the use of the optional Jaw adapters. All the **reliability and durability** you've come to expect from Corghi.

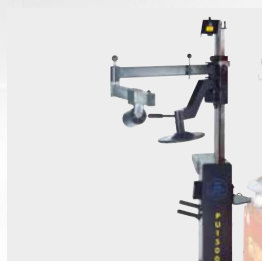
TECHNICAL DATA

Turntable	
inside clamping capacity	13" ÷ 28"
outside clamping capacity	10" ÷ 26"
maximum tire diameter	47" / 1200 mm
maximum tire width	14"
rotation torque	885 lb-ft / 1200 Nm
rotation speed	6-15 rpm
height of the plate above the ground	28.1" / 715 mm
Bead Breaker	
type	showel wheel on the ground
maximum opening	min1.6" / 40 mm - max 16.5" / 420 mm
shoe force	2756 lbs
support	fixed rubber pad
Tool	
working range	8" - 28"
column	manual opening
head clamping	manual
Power Supply	
electrical 1ph	115/1/60 Hz MI 2V
pneumatic	on request
Operating Pressure	10 bar / 145 psi
Weight	540 lbs
Dimensions L X D X H	Min. 38.5" - Max 55" x 44" x 79"

DIMENSIONS



RECOMMENDED ACCESSORIES



Helper Power Unit PU1500
8-11120056



BPL Bead Pressing Left
8-11120055



Plastic bead presser
clamp for Run Flat tyres
801262417



Plastic bead presser
clamp
801435685

INCLUDED ACCESSORIES

x4



x4



x6



CORGHI Usa Inc.

6067 Schumacher Park Dr West Chester, OH 45069
Local number (513) 874-5958 - Toll free 1-800-260-0968
www.corghiusa.us - e-mail: info@corghiusa.us

The manufacturer reserves the right to modify the features of its products at any time.

Cod. DPCG001365 10/2024

