

 **CORGHI**

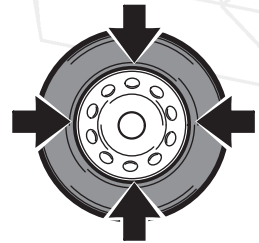
 **USA**

A9830 HP

NEW



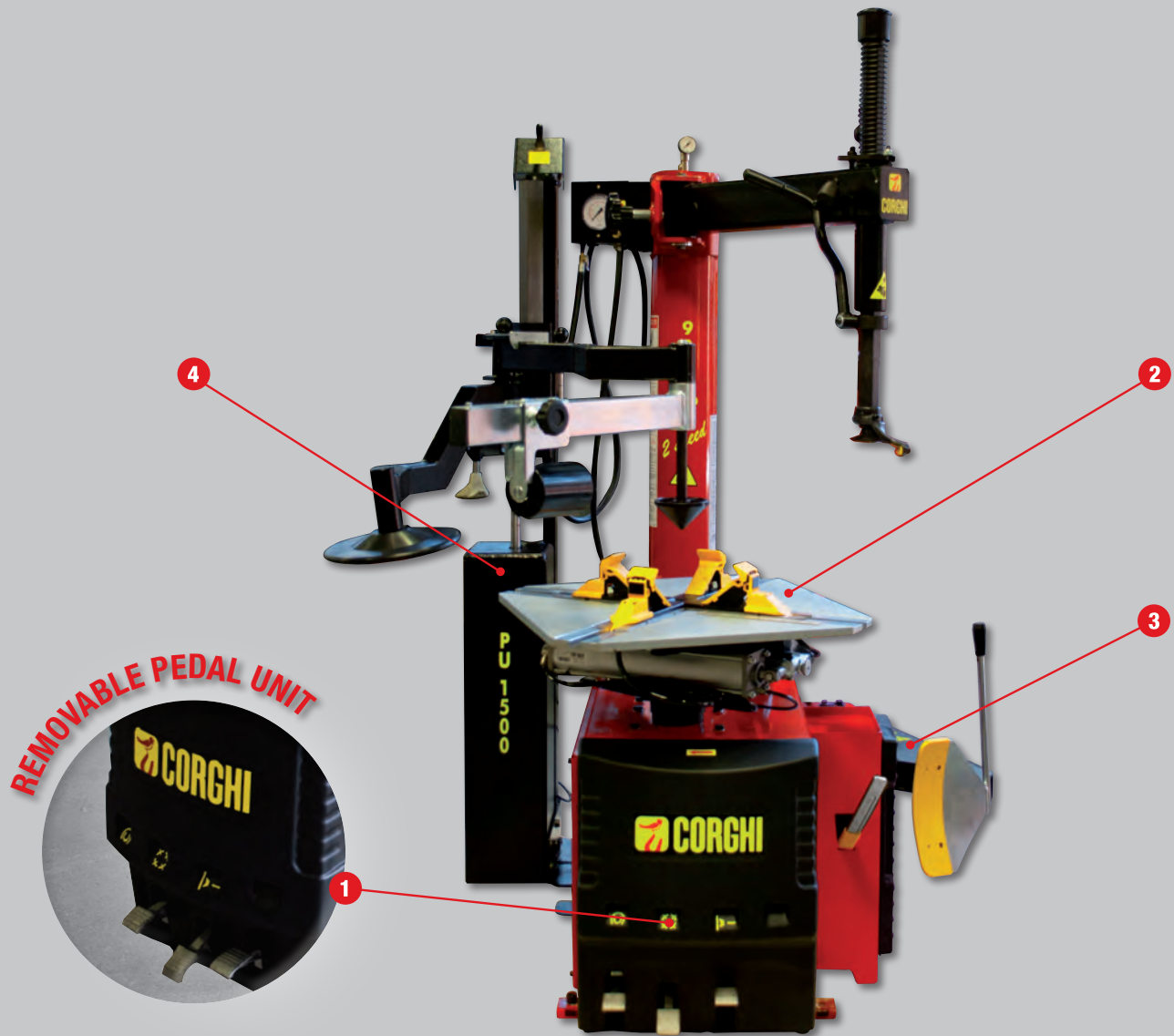
26"



A9830 HP standard version

A quantum leap in terms of quality that enhances the reliability of Corghi products
New swing arm tire changer with **26" turntable - robust, reliable, versatile.**
A wide range of optional accessories are supplied on request, enabling a host
of **different machine configurations** to be achieved.



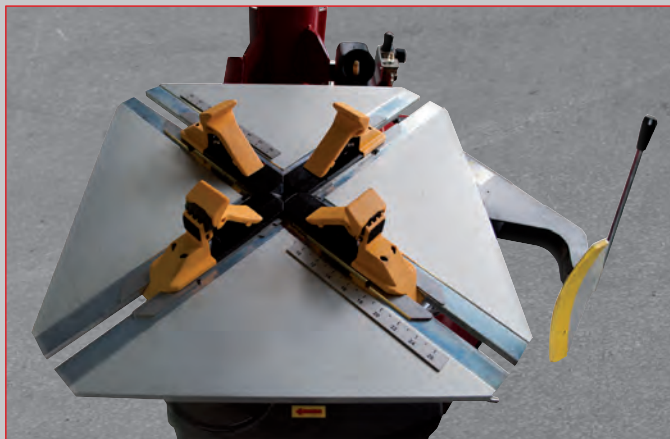


MAIN FEATURES:

- **Built-in table inflator** with jets in the jaws
- Locking handle locks **head away from the rim**
- **Powerful action bead-breaker** blade follows bead to inside rim contour
- **Heavy-duty 2 speed turntable** rotates in either direction
- **Rebuildable stainless steel cylinders**
- **Heavy-duty stainless steel turntable**
- **Safe, fast, profitable** and affordable
- Bead-pressing lever
- Upper arm assembly **swings out-of-way**
- **Also available with air motor**

2 NEW 26" TURNTABLE

26" turntable with external socket and **wheel support surface** protected by a plastic pad; this is wider but does not feature **an adjustable support**, in the style of Corghi's classic tire changer range.



3 ADJUSTABLE LATERAL BEAD BREAKER

The screw enables the end of stroke of the pallet to be **adjusted**



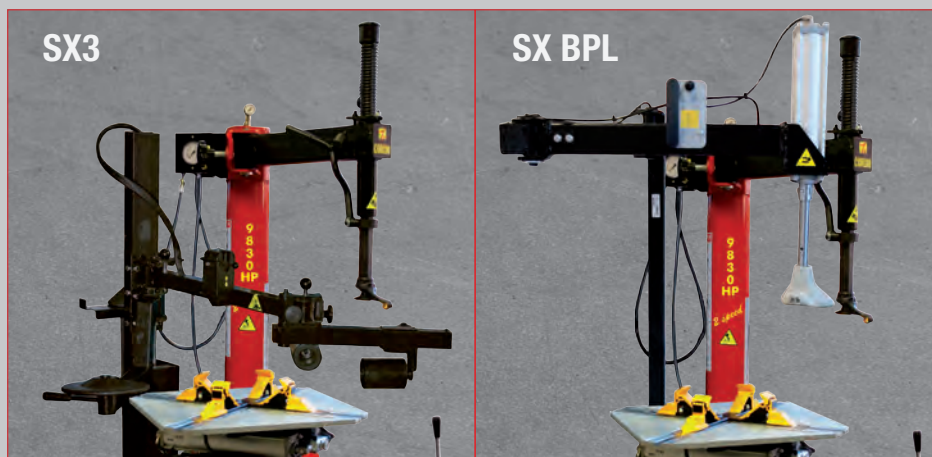
4 PLUS PU1500 POWER ASSIST UNIT

- Pneumatic powered
- Wheel and bead pressing arm
- Bead lifter
- Maintains bead in drop center
- **Eliminates bead stress**
- Eliminates wheel damage
- **One person operation** to change even the most difficult tires
- PAX capable with PAX kit
- Rim clamping assist



ALSO AVAILABLE WITH:

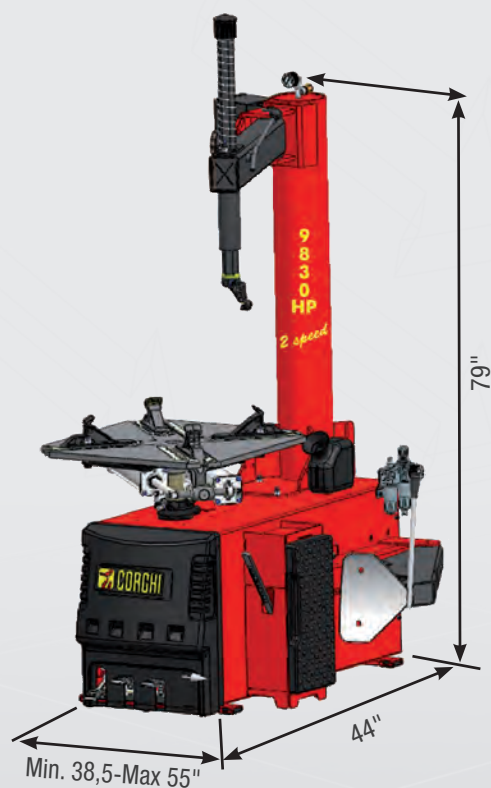
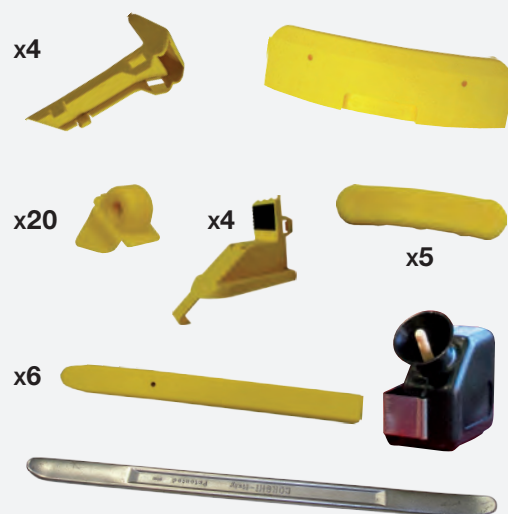
- **SX3**, with various functions
- **SX BPL**, pressor



TECHNICAL DATA

Turntable	
inside clamping capacity	13" ÷ 29"
outside clamping capacity	10" ÷ 26"
maximum tire diameter	1200 mm (47")
maximum tire width	14"
rotation torque	1200 Nm
rotation speed	6-15 rpm
height of the plate above the ground	715 mm
Bead breaker	
type	showel wheel on the ground
maximum opening	min 40 - max 420 mm
shoe force	2756 lbs
support	fixed rubber pad
Tool	
working range	8-29"
column	manual opening
head clamping	manual
Power supply	
electrical 1ph	115/1/60 Hz MI 2V
pneumatic	on request
Operating pressure	
	10 bar / 145 psi
Weight	
	540 lbs
Dimensions L x D x H	
	Min. 38,5-Max 55" x 44" x 79"

STANDARD ACCESSORIES



CORGHI Usa Inc.

6067 Schumacher Park Dr West Chester, OH 45069

Local number (513) 874-5958 - Toll free 1-800-260-0968 - www.corghiusa.us - e-mail: info@corghiusa.us



To protect the planet and reduce paper usage, our catalogues are viewable online at the website www.corghit.com. Printing responsibly contributes to saving the environment. Para ayudar al planeta optimizando el consumo de papel, nuestros catálogos se pueden consultar en el sitio www.corghit.com. Una impresión responsable contribuye a preservar el medio ambiente.



The manufacturer reserves the right to modify the features of its products at any time.
Code DPC60003108 03/2018