



EXACT 70

TRUCK PROFESSIONAL



Professional wheel aligner with 8 CCD for heavy duty trucks 

EXACT 70 TRUCK PROFESSIONAL is a wheel aligner with 8 ccd



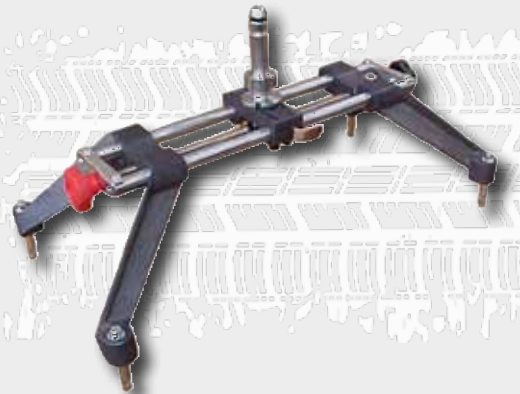
- | | | | |
|--------------|---|---------------|---|
| SMART LEVEL |  | ORP |  |
| HIGH-POWER |  | WIDE TOE |  |
| EASY SERVICE |  | LNSS |  |
| RX2.4 RADIO |  | OVERSIZE BOOM |  |
| RBS |  | SMART SPOILER |  |

Equipped with the following accessories is the professional solution for the trucks workshops:



Truck & trailer working procedure kit
that includes the truck data bank.
code 803257001

Wheel bracket 17,5" to 25"
for trucks.
code 803250354



16 mts cable connection from main unit
to CCD sensors. Specially for trucks.
code 8-33200012

Kit of accessories for **truck / trailer**
alignment.
code 803253946





1 **CCD sensor heads** available in wireless or cable versions. Wireless version on 2.4 GHz industrial radio frequency. Battery charging on cabinet. The battery charger can support both the sensor heads and the clamps.

2 **Roomy internal storage space** for protecting PC and printer. Document wallet. Professional PC.



SOFTWARE

EXACT PLUS, the Corghi wheel alignment program for the most demanding professional. EXACT PLUS works with the **multilingual Windows 10 IoT** operating system. Clear, intuitive graphics, userfriendly, complete and customisable.

- Manual toe curve measurement and adjustment procedure.
- Push-type, 2 and 3 point and singlesensor ROC and ROC skip optio
- Car and van databank with more than 40,000 vehicles. Optional truck and bus databanks with more than 3,000 vehicles.
- “Easy Caster”: quick caster measurement with no brakes on sensor heads.
- Animated tutor guides preparation of vehicle for alignment.
- “Quick Check”: complete 2-head front axle measurement and adjustment procedure.
- Cradle Adjustment.
- Quick job record data input.
- Continuous sensor calibration checking.
- Truck and trailer procedure (optional).
- Adjustment help, schematic slides or animations (optional).



Operating configuration

- Wheeled cabinet
- Wireless or cable sensor heads
- Professional PC
- Windows multilingual 10 IoT
- EXACT PLUS alignment program
- Asa Network, RH-Meter and Romess CM-09606 compatible
- Pedal depressor
- Steering clamp
- Wheel bracket 17,5" to 25" for trucks
- Truck data bank activation kit

Optional accessories

- Optical mouse
- IR remote control
- Universal support for LCD monitor
- External battery charger for charging batteries with PC off
- 19" LCD colour monitor
- Colour inkjet printer
- 10-26" or 10-21" car wheel brackets with self-centring system
- 9-21" quick wheel clamps
- BMW - Mercedes wheel clamps
- ROC skip clamps for fleet hd trucks
- Special procedures: MULTILINK, RADAR, vehicle weight and Specialty Product catalogue
- Adjustment help, schematic slides or animations
- Special car constructor configurations
- Complete range of accessories

TECHNICAL DATA

Measuring ranges

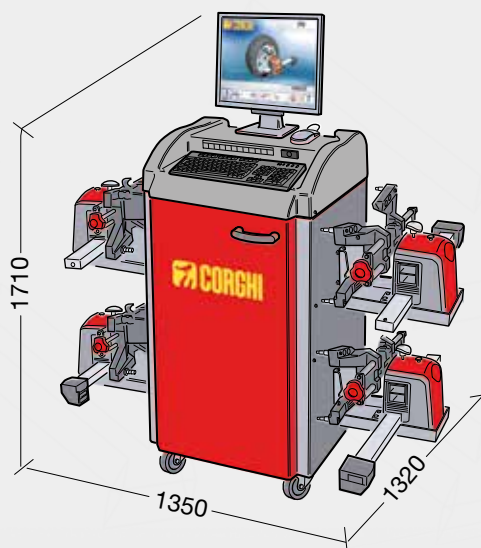
Total toe	$\pm 48^\circ$
Half toe	$\pm 24^\circ$
Camber	$\pm 10^\circ$
Caster	$\pm 30^\circ$
King-pin	$\pm 30^\circ$
Set back	$\pm 22^\circ$
Thrust angle	$\pm 22^\circ$
Steering angle	$\pm 22^\circ$


Power supply

Central unit	90-260 Vca (50-60 Hz) 1ph
Central unit consumption	0, 4 kW
Sensors	800x135x210 mm

Dimensions

Width x depth x height	800x630x1710 mm
With sensors	1350x1320x1710 mm



 Look at the adjustment truck procedure



NEXION SPA - www.corghi.com - info@corghi.com

