



A 9830 HP

Code 4-123298B - 02/2021

Italiano	Manuale d'uso	
English	Operator's manual	2
Français	Manuel d'utilisation	60
Deutsch	Betriebsanleitung	
Español	Manual de uso	

ORIGINAL LANGUAGE

Copyrighted materials. All rights reserved.

The information contained herein may be subject to modifications without prior notice.

Thank you for choosing our Tyre Changer

CORGHI

Dear Purchaser

Thank you for purchasing your Corghi Tyre Changer.

Your Tyre Changer has been designed to provide years of safe and dependable service, as long as it is used and maintained in accordance with the instructions provided in this manual.

All persons who will use and/or maintain this Tyre Changer must read, understand and follow all warnings and instructions provided in this manual, and be properly trained.

This Owner's Manual should be considered an internal part of your Tyre Changer and should remain with the Tyre Changer. However, nothing in this manual, and none of the devices installed on the Tyre Changer, substitute for proper training, careful operation, good judgement and safe work practices.

Always be sure that your Tyre Changer is in optimum working order. If you suspect that anything is not working properly, or that a dangerous situation may exist, immediately shut down the Tyre Changer and remedy any condition before you proceed.

If you have any questions concerning the proper use or maintenance of your Tyre Changer, please call your authorized Corghi representative.

Sincerely,
Corghi

OWNER INFORMATION

Owner
Name _____

Owner
Address _____

Model
Number _____

Serial
Number _____

Date
Purchased _____

Date
Installed _____

Service and Parts
Representative _____

Phone
Number _____

Sales
Representative _____

Phone
Number _____

TRAINING CHECKLIST

	Trained	Declined
<u>Safety Precautions</u>		
Warning and Caution Labels	<input type="checkbox"/>	<input type="checkbox"/>
Pinch Points and Other Potential Hazards	<input type="checkbox"/>	<input type="checkbox"/>
Safe Operating Procedures	<input type="checkbox"/>	<input type="checkbox"/>
<u>Maintenance and Performance Checks</u>		
Mounting Head Inspection	<input type="checkbox"/>	<input type="checkbox"/>
Adjustment and Lubrication	<input type="checkbox"/>	<input type="checkbox"/>
<u>Clamping</u>		
Steel / Alloy Wheels	<input type="checkbox"/>	<input type="checkbox"/>
Reverse Drop Centre Wheels	<input type="checkbox"/>	<input type="checkbox"/>
Steel Jaw Internal/External Clamping	<input type="checkbox"/>	<input type="checkbox"/>
<u>Bead Breaking</u>		
Standard Wheels	<input type="checkbox"/>	<input type="checkbox"/>
Low Profile Wheels	<input type="checkbox"/>	<input type="checkbox"/>
<u>Demounting</u>		
Standard Wheels with Bead Lever and Plastic Sleeve Protector	<input type="checkbox"/>	<input type="checkbox"/>
Full Seating of Mount/Demount Head to Prevent Head Failure	<input type="checkbox"/>	<input type="checkbox"/>
Bead Lubrication During Removal of Low Profile Tyres	<input type="checkbox"/>	<input type="checkbox"/>
Reverse Drop Centre Wheels	<input type="checkbox"/>	<input type="checkbox"/>
<u>Mounting</u>		
Standard Wheels	<input type="checkbox"/>	<input type="checkbox"/>
Mounting of Stiff, Low Profile Tyres	<input type="checkbox"/>	<input type="checkbox"/>
Reverse Drop Centre Wheels	<input type="checkbox"/>	<input type="checkbox"/>
Proper Bead Lubrication for Mounting Protection	<input type="checkbox"/>	<input type="checkbox"/>
<u>Inflation</u>		
Safety Precautions	<input type="checkbox"/>	<input type="checkbox"/>
Lubrication and Removal of Valve Core	<input type="checkbox"/>	<input type="checkbox"/>
Bead Sealing and Seating	<input type="checkbox"/>	<input type="checkbox"/>

EN

Table of contents

1. GETTING STARTED	7
1.1 INTRODUCTION	7
1.1.a. Purpose of the manual	7
1.2 FOR YOUR SAFETY	7
1.2.a. General warning and instructions.....	8
1.2.b. Decal placement	11
1.2.c. Electrical and pneumatic connections.....	15
1.2.d Technical data.....	16
1.2.e. Air Pressures	17
1.3. SPECIAL RIM/TYRE CONSIDERATIONS	18
1.4. INTENDED USE OF THE MACHINE	18
1.5. EMPLOYEE TRAINING.....	18
1.6. PRE-USE CHECKS.....	19
1.7. DURING USE.....	19
2. TRANSPORT, STORAGE AND HANDLING.....	19
3. UNPACKING/ASSEMBLY	20
4. HOISTING/HANDLING	23
4.1 INSTALLATION CLEARANCES.....	23
5. A 9830 HP DESCRIPTION	24
6. OVERALL DIMENSIONS	25
7. EQUIPMENT COMPONENTS	26
(MAIN WORKING ELEMENTS OF THE MACHINE)	26
8. BASIC PROCEDURES - USE	28
8.1. PRELIMINARY CHECKS.....	28
8.2. DECIDING FROM WHICH SIDE OF THE WHEEL THE TYRE MUST BE DEMOUNTED	29
8.3. BEAD BREAKING	29
8.4. CLAMPING THE WHEEL	30
8.5. DEMOUNTING THE WHEEL.....	33
8.6. MOUNTING THE WHEEL.....	35
8.7. APPROVED UHP and RUN FLAT TYRE DEMOUNTING AND MOUNTING PROCEDURE.....	36
8.8. TYRE INFLATION.....	36
8.8.a. SAFETY INDICATIONS.....	36
8.8.b. Inflating tyres.....	38
8.8.c. Inflating tubeless tyres	40

EN

9. TROUBLESHOOTING 42

10. MAINTENANCE 44

11. INFORMATION ABOUT SCRAPPING 46

12. ENVIRONMENTAL INFORMATION 46

13. INFORMATION AND WARNINGS
 CONCERNING HYDRAULIC FLUID 47

14. FIREFIGHTING MEANS USABLE 48

15. GLOSSARY 48

16. GENERAL ELECTRIC LAYOUT DIAGRAMS 52

17. PNEUMATIC SYSTEM DIAGRAM 56

1. GETTING STARTED

1.1 INTRODUCTION

1.1.a. Purpose of the manual

The purpose of this manual is to provide the instructions necessary for optimum operation, use and maintenance of your machine. If you sell this machine, please deliver this manual to the new owner. In addition, so we can contact our customers with any necessary safety information, please ask the new owner to complete and return to Corghi the change of ownership form attached to the previous page of this manual. Alternatively, the new owner can send an email to service@corghi.com.

This manual presumes that the technician has a thorough understanding of rim and tyre identification and service. He/she must also have a thorough knowledge of the operation and safety features of all associated tools (such as the rack, lift, or floor jack) being utilized, and have the proper hand and power tools necessary to work in a safe manner.

The first section provides the basic information to safely operate the A 9830 HP tyre changer family. The following sections contain detailed information about equipment, procedures, and maintenance. "Italics" are used to refer to specific parts of this manual that provide additional information or explanation.

These references should be read for additional information to the instructions being presented. The owner of the tyre changer is solely responsible for enforcing safety procedures and arranging technical training. The tyre changer is to be operated only by a qualified and trained technician. Maintaining records of personnel trained is solely the responsibility of the owner or management.

The A 9830 HP tyre changer family is intended for mounting, demounting, and inflating tyres of lightweight vehicles (cars, not trucks or motorcycles) with maximum dimensions of 47 inches in diameter and 14 inches in width.

Copies of this manual and of the documents accompanying the machine may be obtained from Corghi by specifying the type of machine and its serial number.

NOTICE: Design details are subject to change. Some illustrations may vary slightly in appearance from the machine you have.

1.2 FOR YOUR SAFETY

EN

HAZARD DEFINITIONS

These symbols identify situations that could be detrimental to your safety and/or cause equipment damage.

	DANGER
	DANGER: Indicates an imminently hazardous situation which, if not avoided, will result in death or serious injury.



WARNING



WARNING: Indicates a potentially hazardous situation which, if not avoided, could result in death or serious injury.



CAUTION



CAUTION: Indicates a potentially hazardous situation which, if not avoided, may result in minor or moderate injury.

NOTICE

NOTICE: Used without the safety alert symbol, indicates a potentially hazardous situation, which, if not avoided, may result in property damage.

1.2.a. General warning and instructions



WARNING

Avoid Personal Injury. Carefully read, understand and follow the warnings and instructions given in this manual. This manual is an essential part of the product. Keep it with the machine in a safe place for future reference.

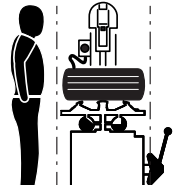
1. If the use and maintenance procedures provided in this manual are not properly performed, or the other instructions in this manual are not followed, an accident could occur. Throughout this manual reference is made that “an accident” could occur. Any accident could cause you or a bystander to sustain severe personal injury or death, or result in property damage.
2. Overinflated tyres can explode, producing hazardous flying debris that may result in an accident.
3. Tyres and rims that are not the same diameter are “mismatched.” Never attempt to mount or inflate any tyre and rim that are mismatched. For example, never mount a 16.5” tyre on a 16” rim and vice versa. This is very dangerous. A mismatched tyre and rim could explode, resulting in an accident.
4. Never exceed the bead setting pressure provided by the tyre manufacturer, as stated on the sidewall of the tyre.
Carefully monitor the gauge on the air hose.



WARNING

Avoid Personal Injury. Carefully read, understand and follow the warnings and instructions given in this manual. This manual is an essential part of the product. Keep it with the machine in a safe place for future reference.

5. If tires being mounted require more than the tire manufacturer's maximum bead seating pressure and , the wheel should be removed from the tire changer, placed in an inflation cage, and inflated per manufacturer's instructions
6. The use of inflation devices (e.g. guns) connected to power sources outside of the machine is not permitted
7. Never place your head or any part of your body over a tyre during the inflation process or when attempting to seat beads. This machine is not intended to be a restraining device for exploding tyres, tubes or rims.
8. Always stand back from the tyre changer when inflating, never lean over.



DANGER

An exploding tyre and rim may be propelled upward and outward with enough force to cause serious injury or death.

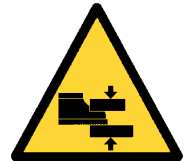
Never mount any tyre unless the tyre size (molded into the sidewall) matches the rim size (stamped into the rim) exactly or if the rim or tyre are defective.

Never exceed the tyre pressure recommended by the tyre manufacturer.

This tyre changer is not a safety device and will not restrain exploding tyres and rims. Keep the area clear of bystanders.

9. **Crushing Hazard. Moving Parts Present.** Contact with moving parts could result in an accident.

- Only one operator may work with the machine at a time.
- Keep all bystanders clear of tyre changer.
- Keep hands and fingers clear of rim edge during the demounting and mounting process.
- Keep hands and fingers clear of mount/demount head during operation.
- Keep hands, feet and other body parts away from moving parts.
- Do not use tools other than those supplied with tyre changer.
- Use proper tyre lubricate to prevent tyre binding.
- Pay attention while moving tyre/rim or lever.



10. **Electric Shock Hazard.**

- Never hose down or power wash electric tyre changers.
- Do not operate the machine with a damaged power cord
- If an extension cord is necessary, a cord with a current rating equal to or greater than that of the machine must be used. Cords rated for less current



EN

than the machine can overheat, resulting in a fire.

- Care should be taken to arrange the cord so that it will not be tripped over or pulled.

11. Risk of Eye Injury. Flying debris, dirt and fluids may be discharged during bead seating and the inflation process. Remove any debris from the tyre tread and wheel surfaces. Wear OSHA, CE or other approved safety glasses during mount and demount procedures.



12. Always inspect the machine carefully before using it. Missing, broken, or worn equipment (including warning stickers) must be repaired or replaced prior to operation.

13. Never leave nuts, bolts, tools or other equipment on the machine. They may become trapped between moving parts and cause a malfunction.

14. NEVER install or inflate tyres that are cut, damaged, rotten or worn. NEVER install a tyre on a cracked, bent, rusted, worn, deformed or damaged rim.

15. If a tyre becomes damaged during the mounting process, do not attempt to finish mounting. Remove from the service area and properly mark the tyre as damaged.

16. To inflate tyres, use short bursts while carefully monitoring the pressure, tyre, rim and bead. NEVER exceed the tyre manufacturer's pressure limits.

17. This equipment has internal arcing or sparking parts which should not be exposed to flammable vapours (gasoline, paint thinners, solvents, etc.). This machine should not be located in a recessed area or below floor level.

18. Never operate the machine if you are under the effects of alcohol, medications and/or drugs. If you are taking prescription or over the counter medication, you must consult a medical professional regarding any side effects of the medication that could hinder your ability to operate the machine safely.

19. Always use OSHA, CE or other approved and mandated Personal Protective Equipment (PPE) during use of the machine. See your supervisor for more instructions.



20. Remove jewellery, watches, loose clothing, ties and restrain long hair before using the machine.

21. Wear non-slip safety footwear when operating the tyre changer.

22. Wear proper back support and employ a proper lifting technique when placing, moving, lifting or removing wheels from the tyre changer.






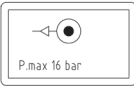







23. This machine may only be used, maintained or repaired by properly trained employees of your company. Repairs should only be performed by qualified personnel. Your CORGHI service representative is the most qualified person. The employer is responsible for determining if an employee is qualified to safely make any repairs to the machine should repair be attempted by users.




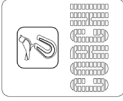


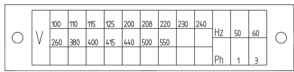







24. The user should understand all warning decals affixed to this equipment before operating.



25. Lock the rim on the turntable during inflation.

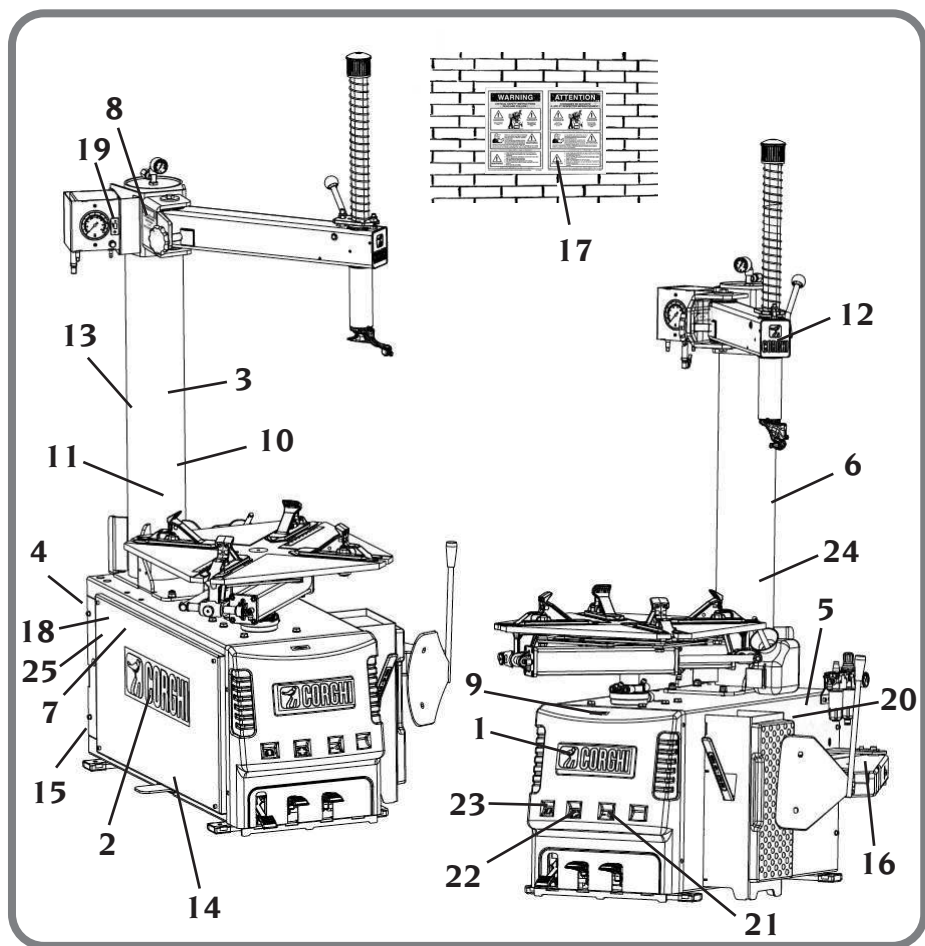
1.2.b. Decal placement

No.	Part Number	Drawing	Description
1	460384		DECAL, CORGHI LOGO (FRONT SIDE)
2	4-107095		DECAL, CORGHI LOGO (LEFT SIDE)
3	4-123253		DECAL, A 9830 HP
4	446429		DECAL, MAX. INLET PRESSURE 16 BAR
5	446442		DECAL, WARNING UNDER PRESSURE TANK
6	450022		DECAL, FILTER
7	446598		DECAL, DISCONNECT POWER SUPPLY
8	432740		DECAL, EXPLOSION HAZARD USA MARKET
8	4-141768		DECAL, EXPLOSION HAZARD CANADIAN MARKET
9	418135		DECAL, DIRECTION OF ROTATION
10	446433		DECAL, HAND CRUSHING HAZARD

EN

No.	Part Number	Drawing	Description
11	446435		DECAL, HAND CRUSHING HAZARD
12	429974		DECAL, CORGHI LOGO
13	462778		DECAL, DANGER OF INFLATION
14	435150		DECAL, INFLATING PEDAL
15	446388		DECAL, CORRECT FEEDING NETWORK
16	446431		DECAL, HAND/FOOT CRUSHING HAZARD
17	450005		POSTER, SAFETY INSTRUCTIONS
18	425211		DECAL, ELECTRIC HAZARD
19	446436		DECAL, INFLATION VALVE
20			DECAL, MODEL SERIAL NUMBER
21	439212		DECAL, BEAD BREAKER CONTROL
22	439213		DECAL, SELF-CENTERING CHUCK CONTROL

No.	Part Number	Drawing	Description
23	439214		DECAL, SELF-CENTERING CHUCK ROTATION
24	4-100901		DECAL, 2 SPEED
25	4-121505A	<div style="border: 1px solid black; padding: 5px;"> <p>WARNING RISQUE D'EXPLOSION This equipment has internal wiring of sparking parts which should never be repaired or damaged. Repairs should not be done by a non-qualified user or laborer. For details...</p> <p>ATTENTION RISQUE D'EXPLOSION Cet équipement comporte des pièces d'un circuit qui ont tendance à créer des étincelles et des vapeurs inflammables. Il ne doit pas être réparé par une personne non qualifiée. Pour plus de détails...</p> </div>	DECAL, WARNING. CANADIAN MARKET



EN

DANGER WARNING DECALS



part nr 446433. Crushing Hazard.



part nr 446435. Crushing hazard.



part nr 446431. Crushing hazard.



part nr 446442. EXPLOSION HAZARD. Do not puncture
Danger - pressurised container.



part nr 425211A. Risk of electrical shock.



part nr 432740. Explosion hazard.



part n 4-141768. Explosion hazard.



part nr 450005. Safety instructions.
Must be applied near the tire changer in a prominent
position by the operator.



part n. 4-121505A. WARNING.



part nr 425083. Earth ground terminal.



part nr 446237. Earth ground terminal.

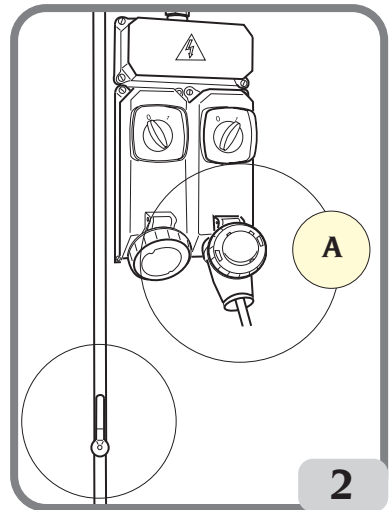


part n. 462778. DANGER OF INFLATION.

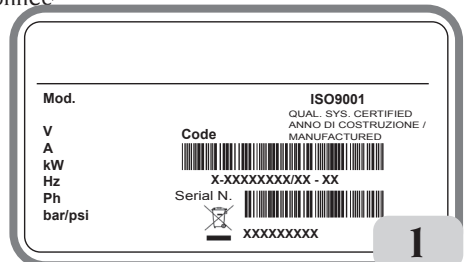
1.2.c. Electrical and pneumatic connections

The dimensions of the electric hook-up used must be suitably sized in relation to:

- the electric power absorbed by the machine, indicated on its data plate (Fig. 1);
 - the distance between the machine and the power supply hook-up point, so that voltage drops under full load do not exceed 4% (10% during start-up) compared with the rated voltage specified on the data plate.
- The operator must:
- fit a power plug on the power supply lead in compliance with the relevant safety standards;
 - connect the machine to its own electrical connection - A, Fig. 2 - and fit a differential safety circuit-breaker with 30 mA residual current;
 - fit fuses to protect the power supply line, rated as indicated on the general wiring diagram in this manual;
 - connect the machine to an industrial socket; the machine must not be connected to domestic sockets.



EN



FOR CANADIAN MARKET ONLY:

- The machine must be hard wired and fit a differential, 20A maximum, safety circuit-breaker with 30 mA residual current.
- Fit a fuse to protect the power supply line, rated as indicated on the general wiring diagram in this manual.

NOTICE

An effective grounding connection is essential for correct operation of the machine.

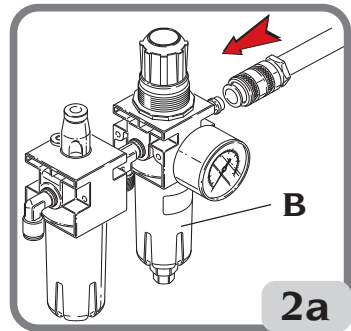
Make sure the available pressure and the rendered capacity of the compressed air system are compatible with those required for correct machine operation - see the “Technical Data” section. For correct machine operation, the compressed air supply line must provide a pressure range from no less than 8.5 bar to no more than 16 bar and guarantee an air flow rate greater than the average consumption of the machine, which is equal to 187 Nl/min.

NOTICE

For correct equipment operation, the air produced must be suitably treated (not above 5/4/4 according to ISO 8573-1)

Check that the Lubricator unit B fig. 2a contains air lubricating oil; top up if necessary. Use SAE20 oil.

The customer must provide an air cut-off valve upstream of the air treatment and regulator device supplied with the machine.



1.2.d Technical data

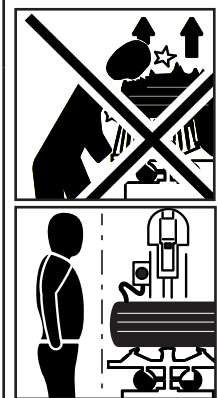
- Turntable clamping capacity
 - internal clamping..... from 13" to 29"
 - external clamping..... from 10" to 26"
- Rim width from 3" to 14"
- Maximum tyre diameter..... 47"
- Maximum tyre width 14"
- Powersupply voltage: see table
- Bead breaker aperture: from 5" to 15"
- Bead breaking force 15000 N (pressure 145 psi)
- Operating pressure 145 psi
- Weight..... 245 Kg
- Noise levels in operating conditions < 70 dB (A)


Model	Motor rating	kW	Rotation speed rpm	Torque Nm	Weight of electric/electronic part kg
A9830HP	400Volt/3ph 50Hz	0.75	8.5	1200	11.5
	200/230Volt/3ph 60Hz	0.75	8.5	1200	11.5
	200/230Volt/3ph 50Hz	0.75	8.5	1200	11.5
	200/230Volt/1ph 50Hz	0.75	8.5	800	11.5
	200/230Volt/1ph 60Hz	0.75	8.5	800	11.5
	115Volt/1ph 50/60Hz	0.55	11	950	10
	115Volt/1ph 60Hz	0.75	8.5	800	11.5
	200/230Volt/1ph 50/60Hz DV	0.75	6-15	1200	10.2
AIR MOTOR	/	6.5	800	/	

The noise levels indicated correspond to emission levels and do not necessarily represent safe operating levels. Although there is a relationship between emission levels and exposure levels, this cannot be used reliably to establish whether or not further precautions are necessary. The factors which determine the level of exposure to which the operator is subject to include the duration of the exposure, the characteristics of the workplace, other sources of noise, etc. The permitted exposure levels may also vary according to the country. However, this information will enable machine users to make a more accurate assessment of hazards and risks.

1.2.e. Air Pressures

The machine is equipped with an internal pressure limiting valve to minimize the risk of over inflating the tyre.




DANGER

- **RISK OF EXPLOSION**
- Never exceed tyre pressure recommended by tyre manufacturer.
- Always match the tyre and rim dimensions.
- Take care to avoid any damage to the tyre.
- During inflation, keep outside the vertical cylinder area occupied by the wheel.

EN

1. Never exceed these pressure limitations:

- Supply line pressure (from compressor) is 220 psi (15 bar).
- Operating pressure (gauge on regulator) is 145 psi (10 bar).

Bead setting pressure (gauge on hose) is the tyre manufacturer's maximum pressure as stated on the sidewall of the tyre

2. Activate air inflation jets only when sealing the bead.
3. Bleed air pressure system before disconnecting supply line or other pneumatic components. Air is stored in a reservoir for operation of inflation jets.
4. Only activate the air inflation jets if the rim securing device is locked in place and the tyre is properly clamped (when possible).

1.3. SPECIAL RIM/TYRE CONSIDERATIONS

NOTICE

Wheels equipped with low tyre pressure sensors or special tyre and rim designs may require special procedures. Consult wheels and tyre manufacturers' service manuals.

1.4. INTENDED USE OF THE MACHINE

This machine must be used only to remove and replace an automotive tyre on an automotive rim, using the tools with which it is equipped. Any other use is improper and can result in an accident.

The machine can not work on motorcycle wheels.

1.5. EMPLOYEE TRAINING

1. The employer is obligated to provide a programme to train all employees who service rim wheels in the hazards involved in servicing those rim wheels and the safety procedures to be followed. Service or servicing means the mounting and demounting of rim wheels, and related activities such as inflating, deflating, installing, removing and handling.

- The employer shall insure that no employee services any rim wheel unless the employee has been trained and instructed in correct procedures of servicing the type of wheel being serviced, and in safe operating procedures.
- Information to be used in the training programme shall include, at a minimum, the applicable information contained in this manual.

2. The employer shall ensure that each employee demonstrates and maintains the ability to service rim wheels safely, including performance of the following tasks:

- Demounting tyres (including deflation).
- Inspecting and identifying rim wheel components.
- Mounting tyres.
- Using any restraining device, cage, barrier, or other installation.
- Handling rim wheels.
- Inflating the tyre.
- Understanding the necessity to stand back from the tyre changer during tyre inflation and during inspection of the rim wheel following inflation, never leaning over.
- Installing and removing rim wheels.

3. The employer shall evaluate each employee's ability to perform these tasks and to service

rim wheels safely, and shall provide additional training as necessary to assure that each employee maintains his or her proficiency.

1.6. PRE-USE CHECKS

Before beginning work, carefully check that all components of the machine, especially rubber or plastic parts, are in place, in good condition and working properly. If the inspection reveals any damage or excessive wear, no matter how slight, immediately replace or repair the component.

1.7. DURING USE

In the event you hear any strange noise or feel unusual vibration, if a component or system is not operating properly, or if there is anything unusual at all, stop using the machine immediately.

- Identify the cause and take any necessary remedial action.
- Contact your supervisor if necessary.

Never allow any bystander to be within 20 feet of the machine during operation.

To stop the machine in an emergency:

- disconnect the power supply plug;
- cut off the compressed air supply network by disconnecting the shut-off valve (snap coupling).

2. TRANSPORT, STORAGE AND HANDLING

Conditions for transporting the machine

The tyre changer must be transported in its original packing and stowed in the position shown on the packing itself.

- Packing dimensions:

- width 840 mm
- depth 1140 mm
- height 970 mm

- Weight with packing:kg 288

Machine storage and shipping specifications

Temperature: -25° - +55°C.

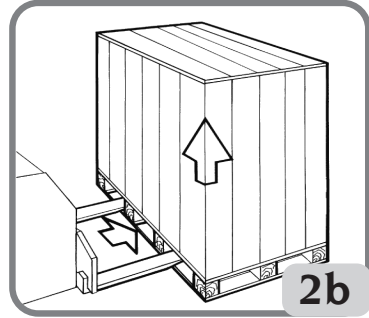


NOTICE

Do not stack other goods on top of the packing or damage may result.

Handling

To move the packing, insert the tines of a fork-lift truck into the slots on the base of the packing itself (pallet) (Fig. 2b).
Before moving the machine, refer to the HOISTING/HANDLING section.



NOTICE

Keep the original packing in good conditions to be used if the equipment has to be shipped in the future.

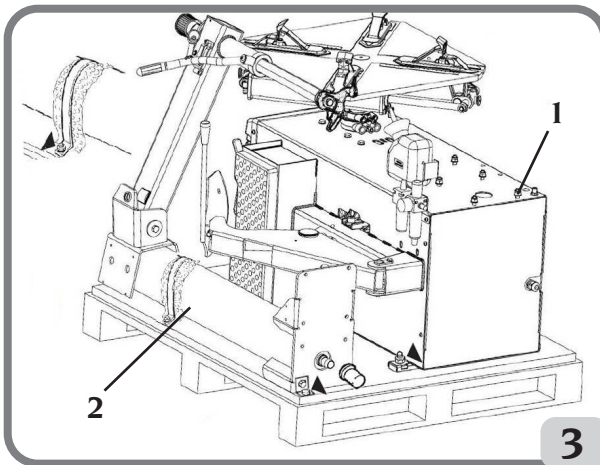
3. UNPACKING/ASSEMBLY

WARNING

Take the utmost care when unpacking, assembling, hoisting and installing the machine as described below.

Failure to observe these instructions can damage the machine and compromise the operator's safety.

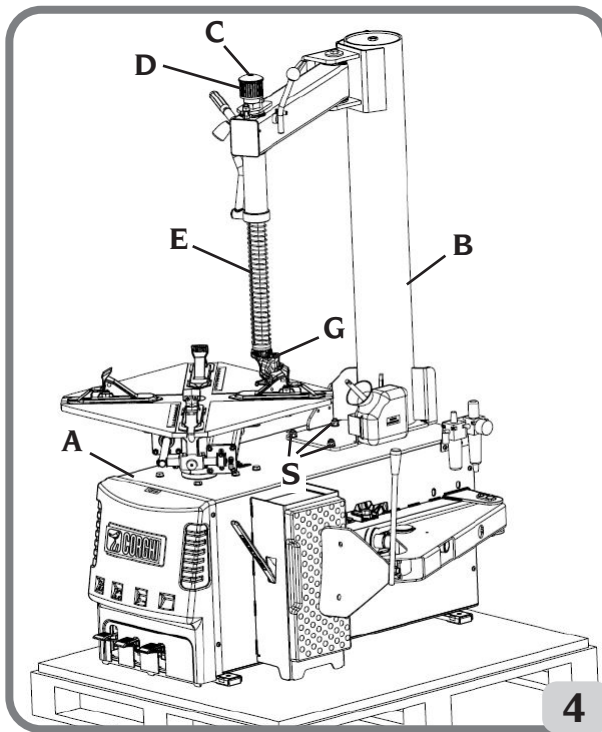
- Remove the upper part of the packing and make sure that the machine has not suffered damage in transit; identify the points at which the machine is anchored to the pallet (Fig. 3).



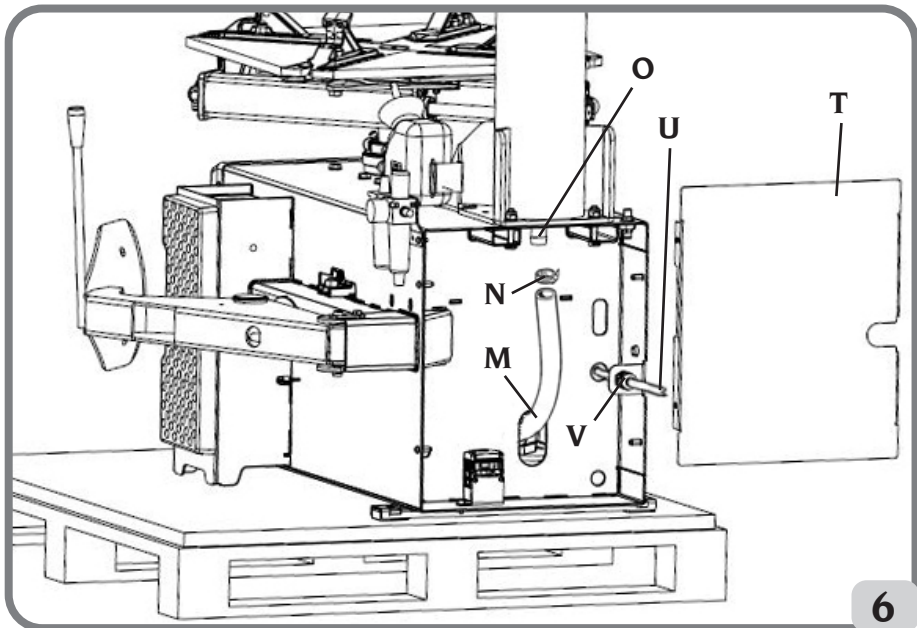
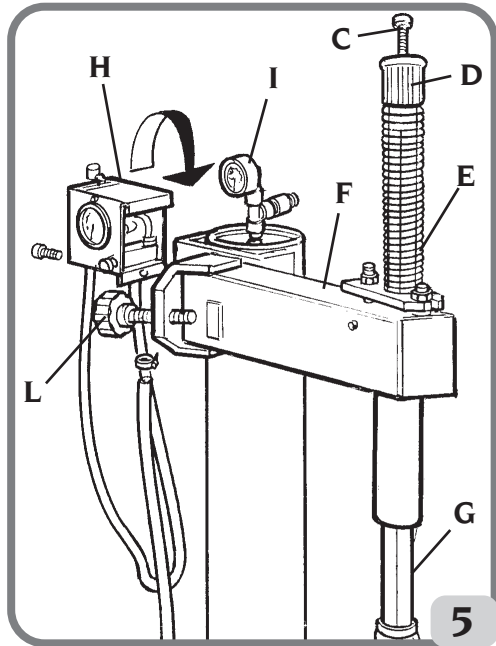
- The machine comprises 3 main units (fig.3):
 - body (1)
 - column with internal tank and mounting head arm(2)
 - box with pressure gauge and standard equipment
- After removing the column 2, it is advisable to place it in a horizontal position to prevent it from falling and getting damaged.

Assemble the different parts of the machine:

- Lift tower "B", locate it on cabinet "A" and secure it with nuts "S" provided as per Fig. 4.
- Remove the screw "C" securing the knob "D" and vertical slide "G" (Fig.4); pull the vertical slide downward from the swing arm "F", remove spring "E" from the vertical slide.
- Re-insert (the same way round) vertical slide "G" in swing arm "F" and insert spring "E" (Fig.5); reassemble the knob and the screw (Fig.5).



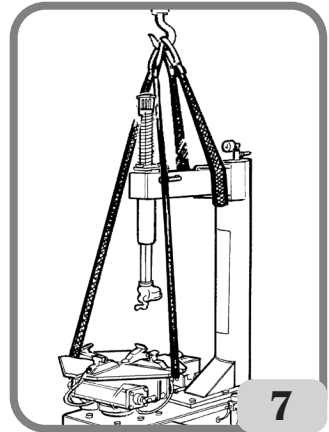
- Mount the enclosure with pressure gauge "H" to the tower (Fig.5), and secure it.
- Remove the plug and screw in the valve + pressure gauge unit "I" (Fig.5).
- Screw down the adjustment knob "L" (Fig.5).
- Remove the rear panel "T" and fit the rubber hose "M" on connection "O" and tighten the hose clip "N" (Fig.6).
- Mount the feeding cable "U" by placing the locking ring "V" in the slot (see Fig. 6). During handling, feeding cable is located inside the rear compartment.
- Refit the rear panel "T".



4. HOISTING/HANDLING

In order to remove the machine from the pallet, hook it as shown in fig.7.

This hoisting point must be used whenever you need to change the installation position of the machine. Do not attempt to move the machine until it has been disconnected from the electricity and compressed air supply systems.



4.1 INSTALLATION CLEARANCES

WARNING

The machine must be installed in accordance with all applicable safety regulations, including but not limited to those issued by OSHA.

DANGER

RISK OF EXPLOSION OR FIRE. Never use the machine in an area where it will be exposed to flammable vapours (gasoline, paint thinners solvents, etc.). Never install the machine in a recessed area or below floor level.

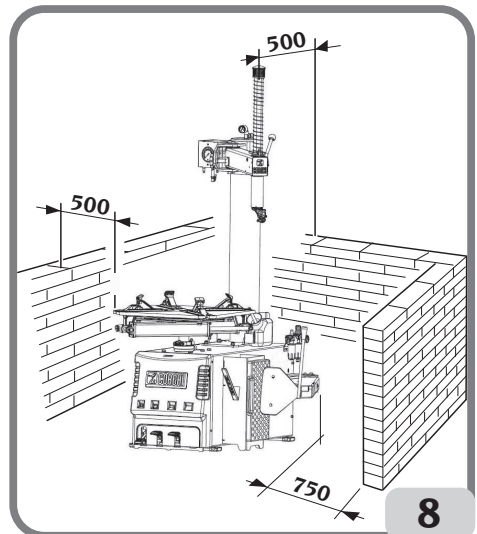
IMPORTANT: for the correct and safe operation of the machine, the lighting level in the place of use should be at least 300 lux.

NOTICE

Do not install the machine outdoors. It is designed for use in an indoor, sheltered area.

Install the tyre changer in the chosen work position, complying with the minimum clearances shown in Fig.8.

The surface must have a load-carrying capacity of at least 1000 kg/m².



EN

Work environment conditions

- Relative humidity 30% - 95% without condensation.
- Temperature 0°C - 50°C.

WARNING

Each time the machine remains disconnected from the pneumatic line for long periods, check the direct operation of the controls with the relative arm, following the pressure restoration procedure. Carry out the first control operation very slowly.

5. A 9830 HP DESCRIPTION

The A 9830 HP is an electro-pneumatic tyre changer.

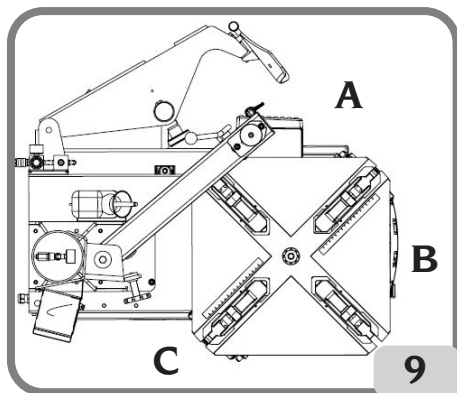
The machine is compatible with any type of drop-centre single-piece rims with the dimensions and weights indicated in the paragraph TECHNICAL DATA.

The sturdily constructed machine operates with the wheel in a vertical position for bead breaking and in a horizontal position for mounting and demounting tyres. All functions are controlled by the operator via pedals and hand-operated valves and levers.

This tyre changer has been designed exclusively for mounting and demounting tyres, using the tools with which they are equipped as described in this manual. The machine is equipped with an inflation system independent of all the other functions described above. Take great care when using it (read the INFLATION chapter).

Figure 9 shows the operator's positions during the various work phases:

- A Bead breaking
- B Tyre demounting and mounting
- C Inflation area.






WARNING

RISK OF CRUSH INJURY. Column tilting must be performed from work position B (fig. 9), keeping the hands away from moving machine parts.

Each machine has a data plate Fig. 10, with information about the machine and some technical data.

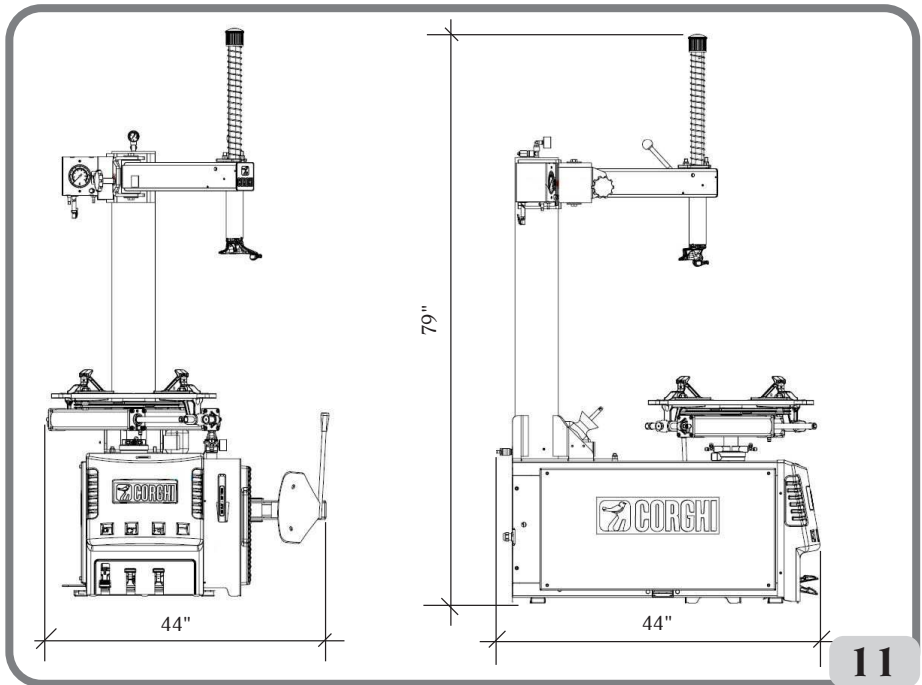
As well as the manufacturer's details, the plate indicates:

- Mod. - Machine model;
- V - power supply voltage in Volts;
- A - Input voltage in Amperes;
- kW - Absorbed power in kW;
- Hz - Frequency in Hz;
- Ph - Number of phases;
- bar - Operating pressure in bar;
- Serial No. - Machine serial number;
- ISO 9001 - Certification of the company's Quality System;
- EC - EC marking.

Mod.	ISO9001
	QUAL. SYS. CERTIFIED
	ANNO DI COSTRUZIONE /
	MANUFACTURED
V	Code
A	
kW	X-XXXXXXXXXX-XX
Hz	Serial N.
Ph	
bar/psi	 XXXXXXXXX

10

6. OVERALL DIMENSIONS



EN

7. EQUIPMENT COMPONENTS

(MAIN WORKING ELEMENTS OF THE MACHINE)

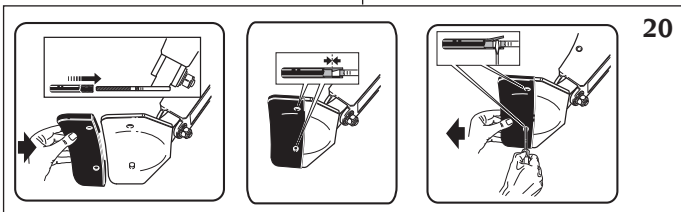
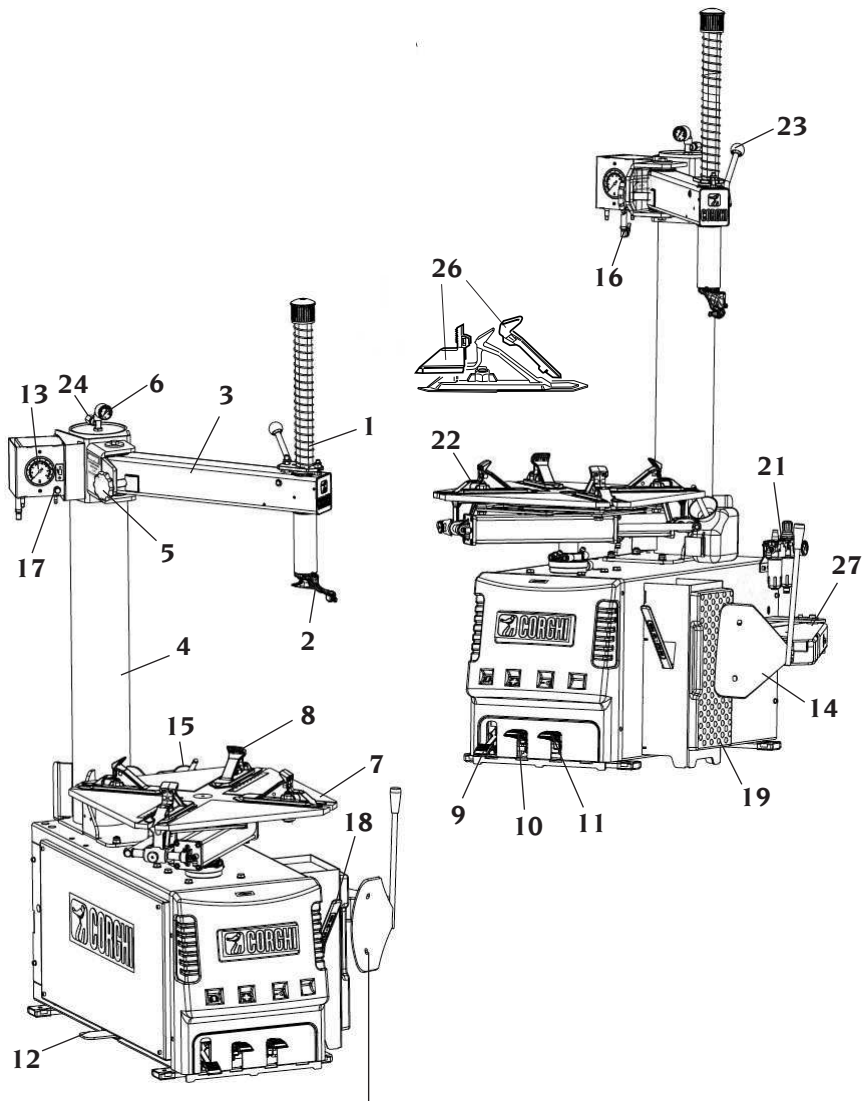


WARNING

Get to know your machine: knowing exactly how the machine works is the best way to guarantee safety and machine performance. Learn the function and location of all commands. Carefully check that all controls on the machine are working properly. The machine must be installed properly, operated correctly and serviced regularly in order to prevent accidents and injuries.

List of parts and description (fig.12):

- 1 Vertical slide (mount/demount head-holder arm - allows vertical adjustment of the mount/demount head).
- 2 Mount/demount head (to mount and demount the tire from the wheel).
- 3 Swing arm (for horizontal adjustment of the mount/demount head)
- 4 Tank tower (contains the compressed air required to feed the tubeless inflation system).
- 5 Swing arm adjustment knob.
- 6 Valve + pressure gauge (175 psi max. pressure relief valve and inflation pressure read-out gauge).
- 7 Sliding clamp table (rotating table for supporting the wheel).
- 8 Sliding clamp (for locking the wheel to the table).
- 9 Table top rotation control pedal with three positions:
 - position 0: table stopped
 - pedal depressed (and held down with foot): clockwise rotation
 - pedal lifted (and held up with foot): counterclockwise rotation
- 10 Sliding clamp closure control pedal with three positions: OPEN / CLOSE and CLAMP APPROACH.
- 11 Bead breaker pedal (operates bead breaker shoe 14)
- 12 Inflation pedal (three-position pedal to inflate the tire with the Doyfe inflator chuck 16).
- 13 Pressure gauge (to read tire inflation pressure).
- 14 Bead breaker shoe (mobile shoe to break bead from rim).
- 15 Lube bottle.
- 16 Doyfe inflator chuck (to clip to the tire valve for inflation purposes).
- 17 Release valve button (for manual release of excess air pressure from tire).
- 18 Bead lifting tool.
- 19 Rim support (mobile 2-position support for normal and racing wheels).
- 20 Blade protection.
- 21 Filter/lubricator and pressure regulator (air treatment unit that filters and lubricates the air and restricts maximum supply pressure to 145 psi [10 bar]).
- 22 Inflation nozzles (air jets from nozzles expand tire walls during inflation of tubeless tires).
- 23 Vertical slide locking lever (blocks the mount/demount head on the edge of the rim).
- 24 Safety relief valve (maximum pressure 175 psi [12 bar]).
- 26 Protection kit for alloy wheels.
- 27 Bead breaker arm.



8. BASIC PROCEDURES - USE

WARNING

CRUSHING HAZARD:

Some parts of the machine, such as the head, arms, legs, the bead breakers and turntable move by themselves.

Keep hands and all body parts away from moving parts of the machine.

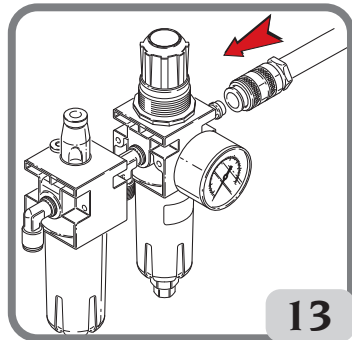


WARNING

AVOID PERSONAL INJURY

Before working on the machine:

- disconnect the power supply plug;
- isolate the compressed air line by disconnecting the shutoff valve (quick-release connector) (fig. 13).



WARNING

Avoid unintended machine movement or failure. Use only original CORGHI tools and equipment.

8.1. PRELIMINARY CHECKS

Check that there is a pressure of at least 8 bar on the Filter Regulator pressure gauge. If the pressure is lower, the operation of some automatic procedures is not guaranteed. After the correct pressure has been restored, the machine will function properly. Check that the machine has been adequately connected to the power mains.

8.2. DECIDING FROM WHICH SIDE OF THE WHEEL THE TYRE MUST BE DEMOUNTED

See Fig. 14. Find the position of rim well A on the wheel rim. Find the largest width B and the smallest width C. The tyre must be mounted and demounted with the wheel on the turntable with the smallest width side C facing upwards.

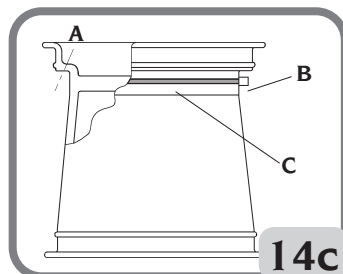
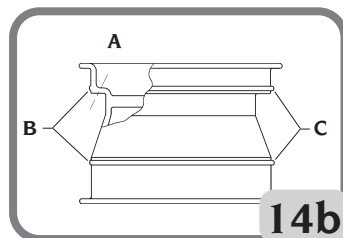
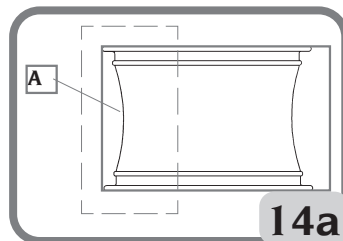
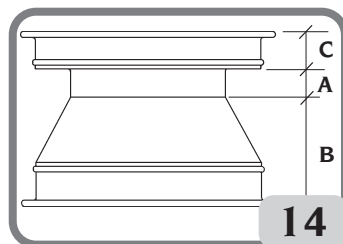
Special wheels

Alloy rim wheels: some alloy rim wheels have minimal rim wells A or no rim wells at all - Fig. 14a. These rims are not approved by DOT (Department of Transportation) standards.

The initials DOT certify that tyres comply with the safety standards adopted by the United States and Canada (these wheels cannot be sold on these markets).

High-performance wheels (asymmetric curvature) - Fig. 14-b: Some European wheels have rims with a very pronounced curvature C, except in the area of the valve hole A where the curvature is less pronounced B. On these wheels the bead must first be broken in the area of the valve hole, on both the top and bottom sides.

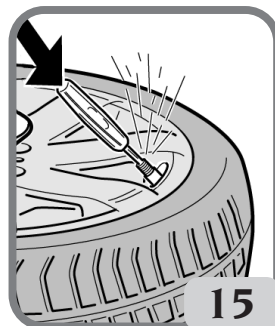
Wheels with pressure sensor - Fig. 14c. To operate correctly on these wheels and avoid damaging the sensor (which is incorporated in the valve, fixed with the belt, glued inside the tyre, etc.) appropriate mounting/demounting procedures should be followed (ref. Approved mounting/demounting procedure for runflat and UHP tyres)

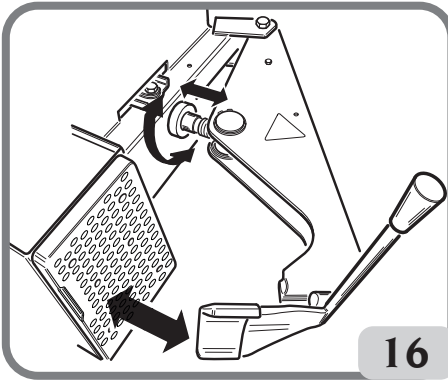


EN

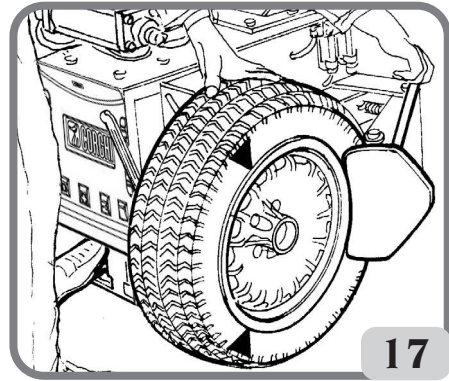
8.3. BEAD BREAKING

- Fully deflate the tyre, removing the valve (Fig. 15).
- Adjust the aperture of the bead breaker shoe by turning the screw on the cylinder rod (fig.16).
- Position the wheel as shown in fig.17 and move the bead breaking shoe near the rim edge.





16

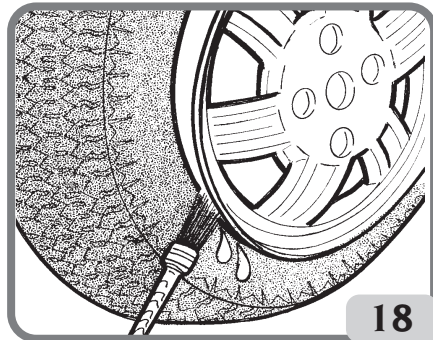


17

IMPORTANT: During the bead breaking operation, you are advised to keep the turntable closed (clamp gripper towards the centre).



- Press the pedal (fig.17) to operate the bead breaker and detach the bead.
- Repeat this operation on the other side of the wheel.
- After detaching the beads, remove the old balancing weights.
- Thoroughly lubricate the sides of the tyre around the entire circumference of the lower and upper bead (fig.18).



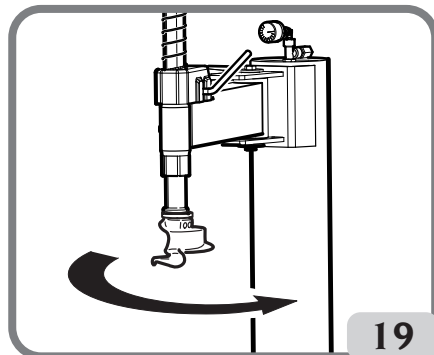
18

8.4. CLAMPING THE WHEEL

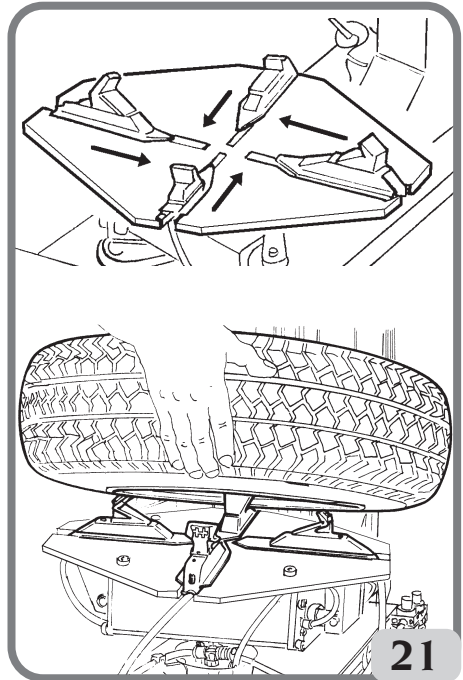
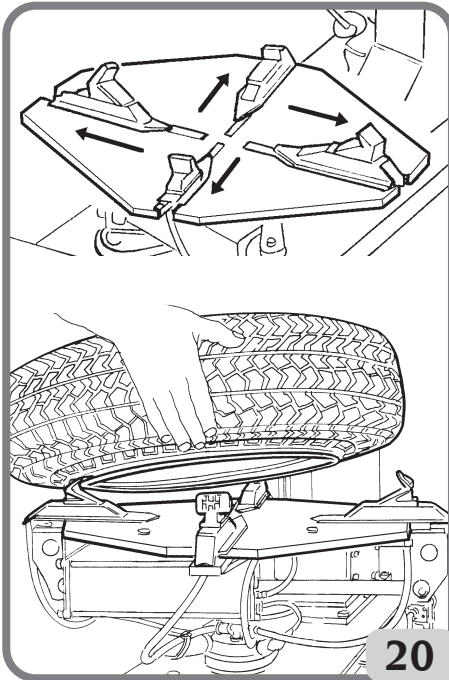
- Move manually the mounting head arm at side, in not-working position (Fig. 19).
- Place the wheel on the sliding clamp table with the narrow side of the wheel's drop centre facing upward (tires must be removed and re-fitted only from the narrow side).



- depress pedal (X X) to bring the sliding clamps to the outside of the table (Fig.20)




19



if you wish to clamp the rim on the outside as shown in Figure 20 (recommended for alloy rims).



- alternatively, keep pedal  depressed to bring the sliding clamps to the centre of the table (Fig.21) if you wish to clamp the rim on the inside (Fig.21).



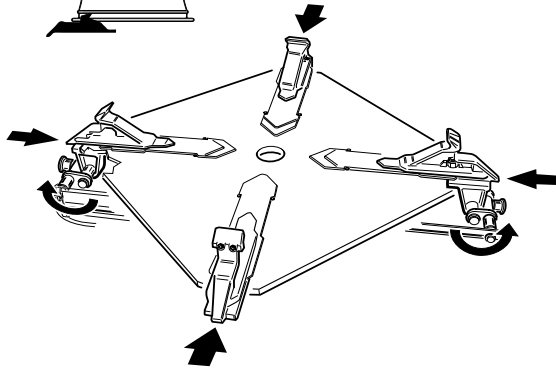
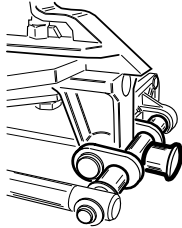
- Press pedal  in order to clamp the wheel with the sliding clamps.

- see fig. 22 to regulate turntable clamping capacity.



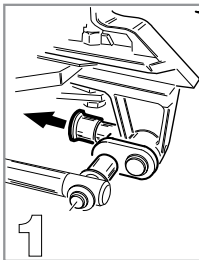
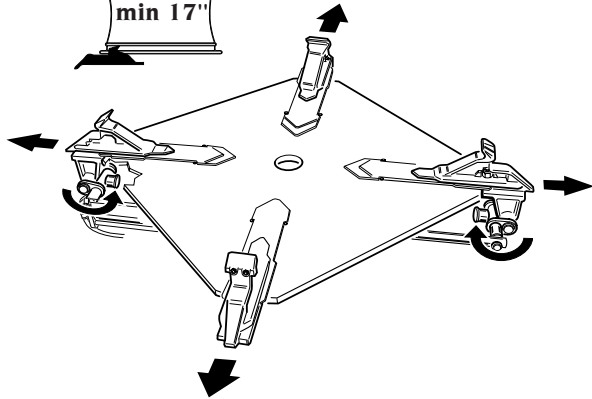
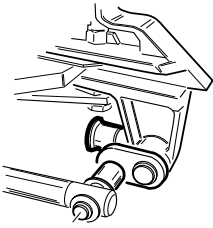
10"-22"

13"-25"

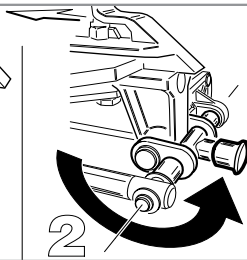


14"-26"

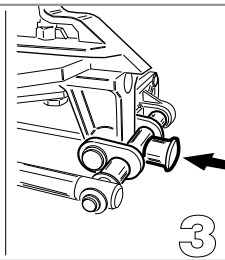
min 17"



1



2

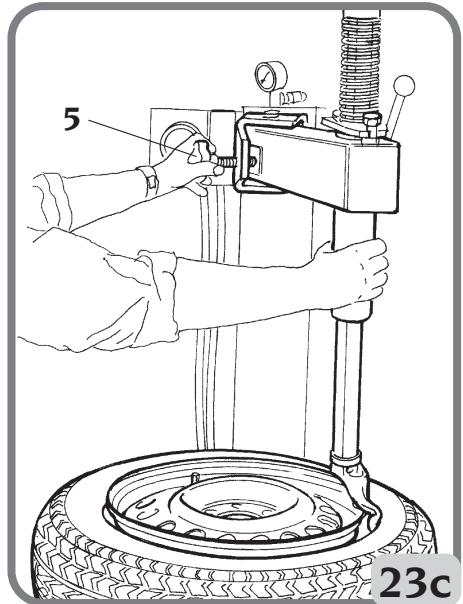
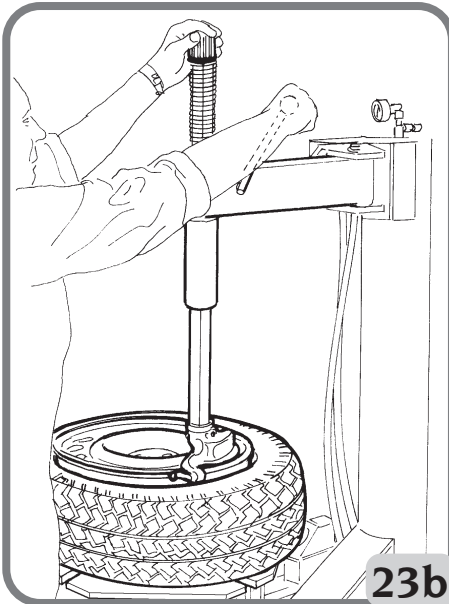
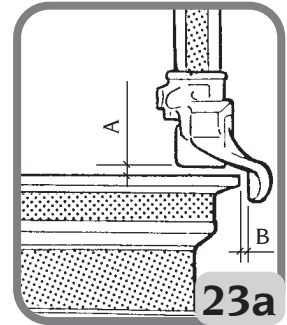


3

22

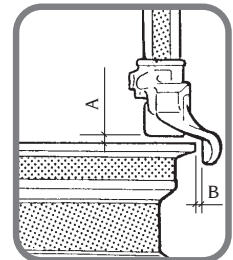
8.5. DEMOUNTING THE WHEEL

- Position the mount/demount head against the edge of the rim (Fig.23a).
- Immobilize vertical movement of the head with lever (Fig.23b).
- Turn knob (5) in order to adjust the mount/demount head as illustrated in Figure 23c.

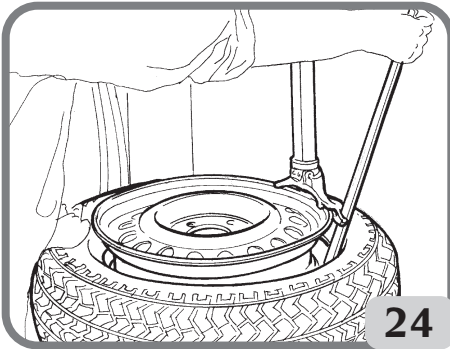


NOTICE

Distance A is created automatically when lever is operated; distance B can be adjusted using knob.



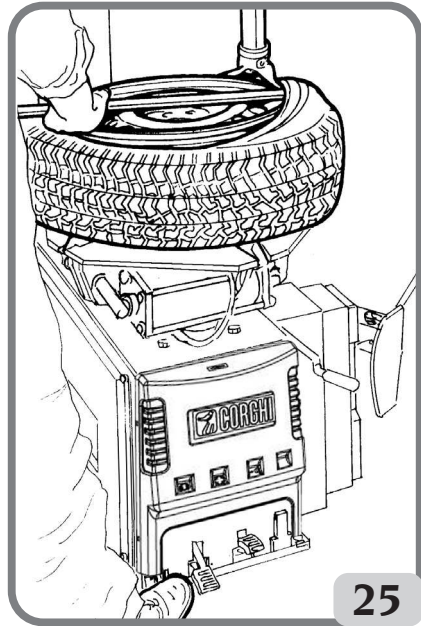
- Assist a portion of the upper bead into the drop centre of the wheel by pushing down



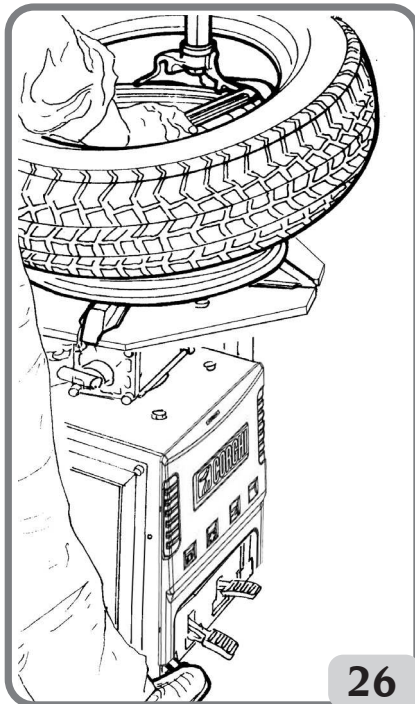
24

on the sidewall opposite the mount/demount head (Fig.24).


- Insert and position the bead lifting tool on the mount/demount head (Fig.24).
- Lift the upper tire bead over the knob portion of the mount/demount head (Fig.25).

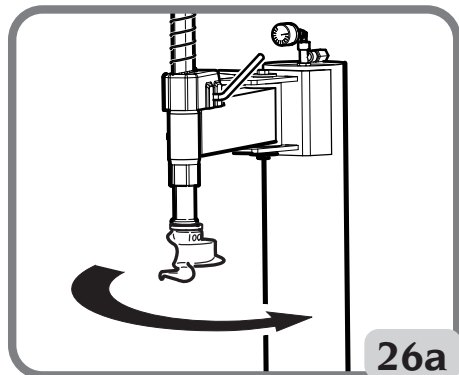


25



26

- Depress table top pedal  to turn the table top clockwise. The upper bead will be automatically guided up and over the edge of the rim.
- Repeat the procedure for the bottom bead (Fig. 26).
- Move the swing arm clear and remove the tire Fig. 26a.



26a

NOTICE

If the tire has an inner tube, once the upper bead has been demounted, bring the horizontal slide clear and remove the inner tube before demounting the lower bead.

8.6. MOUNTING THE WHEEL



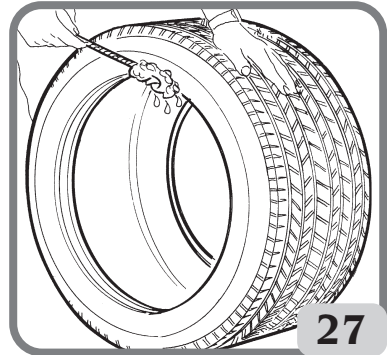
DANGER

EXPLOSION HAZARD. Always check that the tyre/rim combination is correct in terms of compatibility (tubeless tyre on tubeless rim, tube type tyre on tube type rim) and geometrical size (keying diameter, cross-section width, Off-Set and shoulder profile) before mounting.

AVOID PERSONAL INJURY OR DEATH.

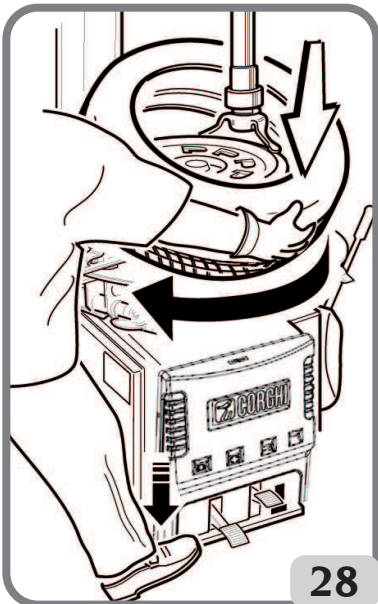
Also check that rims are not deformed, that their fixing holes have not become oval, that they are not encrusted or rusty and that they do not have sharp burrs on the valve holes. Check that the tyre is in good condition with no signs of damage.


- Apply a liberal amount of tire manufacturer approved rubber lubricant to both beads before attempting the mounting operation (Fig.27). Lubricated beads require much less force to mount/seat and are protected against torsional damage.



EN

- Place the tire on the rim and bring the swing arm into its operating position. Position the bottom bead (as shown in Figure 28) so that it is above the rear portion of the mount/demount head and below the front portion.

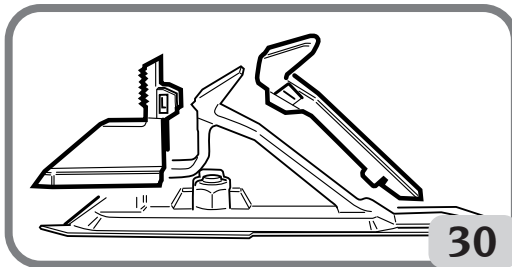
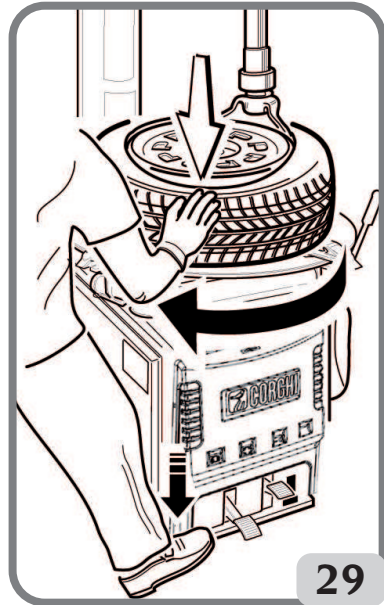


- Depress the table top pedal  to begin clockwise rotation and thus mount the bead. Use the wheel's drop centre by pushing down on the sidewall opposite the head (as shown in Figure 29) to reduce tensional force on the bead as the wheel rotates.

- Once the bottom bead is completely mounted, repeat the same steps for the upper bead (Fig.29).

- If you are working with aluminium alloy wheels, external locking is recommended, using with the supplied protection kit for the sliding clamps (fig. 30) in order to avoid the risk of damaging the wheel.

The sliding clamp protection kit must also be used for external locking of 10" wheels.



8.7. APPROVED UHP and RUN FLAT TYRE DEMOUNTING AND MOUNTING PROCEDURE

For a detailed description of the UHP and RUN FLAT tyre mounting/demounting procedure, please refer to the instructions in the manual prepared by WDK (German Tyre Industry Association).

8.8. TYRE INFLATION

8.8.a. SAFETY INDICATIONS

	<div style="background-color: red; color: white; padding: 5px; text-align: center;"> DANGER </div> <ul style="list-style-type: none"> • RISK OF EXPLOSION • Never exceed tyre pressure recommended by tyre manufacturer. • Always match the tyre and rim dimensions. • Take care to avoid any damage to the tyre. • During inflation, keep outside the vertical cylinder area occupied by the wheel.
--	---

DANGER

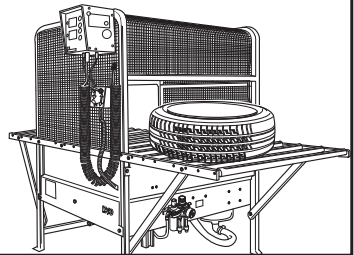
The use of inflation devices (e.g. guns) connected to power sources outside of the machine is not permitted.

NOTICE

Always comply with national safety regulations as they could be more restrictive than what is indicated in the manual, according to the principle that a more restrictive standard takes precedence over the less restrictive one.

DANGER

If tires being mounted require more than the tire manufacturer's maximum bead seating pressure and , the wheel should be removed from the tire changer, placed in an inflation cage, and inflated per manufacturer's instructions.



Verify that both upper and lower tyre beads and the rim bead seat have been properly lubricated with an approved mounting paste.
Safety goggles with plain lenses and safety footwear must be worn.

WARNING

Don't Lock the rim on the turntable during inflation.

Remove valve stem core if not already done.
Connect inflation hose to valve stem
Step down partially on the pedal to inflate the tyre and seal beads with the inflation hose.
Frequently stop to check bead seating pressure on the gauge.

WARNING

Avoid personal injury. Carefully read, understand and observe the following instructions.

1. Overinflated tyres can explode, producing hazardous flying debris that may result in an accident.
2. Tyres and Rims that are not the same diameter are "mismatched". Never attempt to mount or inflate any tyre and rim that are mismatched. For example, never mount a 16"

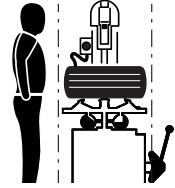
tyre on a 16.5" rim (or vice versa). This is very dangerous. A mismatched tyre and rim could explode, resulting in an accident.

3. Never exceed the bead setting pressure (gauge on hose) provided by the tyre manufacturer, as stated on the sidewall of the tyre.

4. Never place your head or any part of your body over a tyre during the inflation process or when attempting to seat beads.

This machine is not intended to be a restraining device for exploding tyres, tubes or rims.

5. Always stand back from the tyre changer when inflating, never lean over.



WARNING



During this operation, noise levels assessed at 85 dB(A) may occur.
Wear hearing protection devices.

DANGER

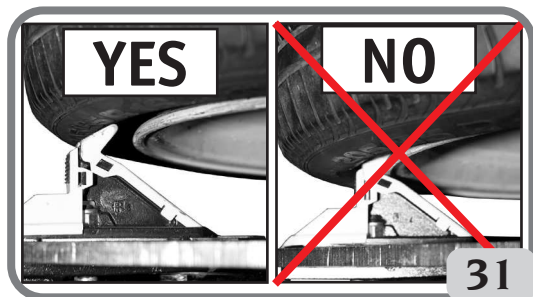
EXPLOSION HAZARD. An exploding tyre and rim may be propelled upward and outward with enough force to cause serious injury or death.

Do not mount any tyre unless the tyre size (molded into the sidewall) matches the rim size (stamped into the rim) exactly or if the rim or tyre are defective or damaged.

This tyre changer is not a safety device and will not restrain exploding tyres and rims. Keep the area clear of bystanders.

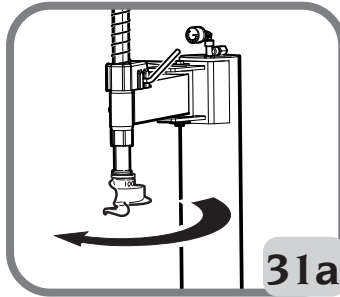
8.8.b. Inflating tyres

- Release the wheel from the sliding clamps on the table top (Fig. 31).
- Bring the horizontal arm in its work position (Fig. 31a).
- Lower the vertical rod until it touches the rim (Fig. 31b).

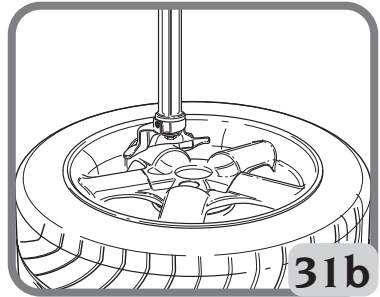


- Lock the vertical rod in this position.

- Remove valve core and connect the Doyfe connector on the air hose to the valve stem (Fig. 31c).



31a

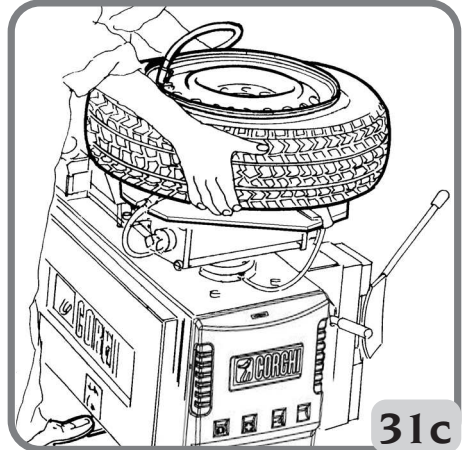


31b

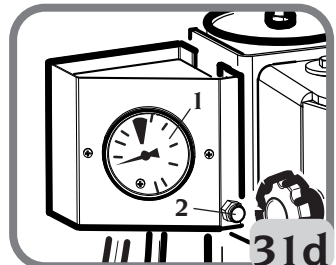
- Inflate the tyre by operating the proper pedal (Fig. 31c) at short intervals; check the pressure gauge frequently to make sure that the pressure **NEVER** exceeds the maximum pressure specified by the tyre manufacturer.

If necessary:

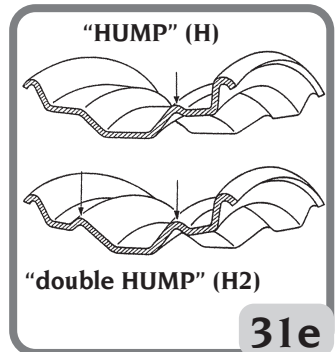
- Continue inflating up to the maximum value of 3.5 bar to position the tyre correctly on the rim. Avoid distractions during this operation, and continually check tyre pressure on the air pressure gauge (1, Fig. 31d) to prevent excessive inflation. Inflating tubeless tyres requires a higher air flow-rate to allow the beads to bypass the rim HUMPS - see types of rim profiles for mounting without a camera in fig. 31e.
- From the position of the centring ridges check that the beads are properly positioned on the rim; otherwise, deflate the tyre, break the beads as described in the relevant section, lubricate and turn the tyre on the rim. Repeat the mounting operation described previously and check again.
- Replace the internal mechanism of the valve.
- Bring the pressure to the operating value by pressing the Inflation push-button (2, Fig. 31d).
- Fit the cap to the valve



31c



31d



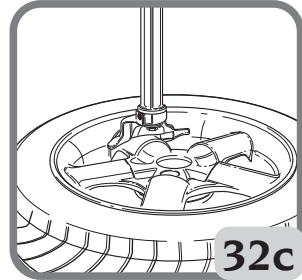
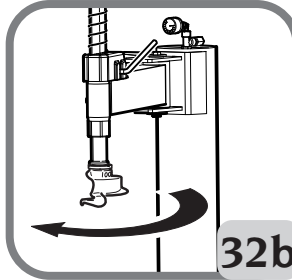
31e

EN

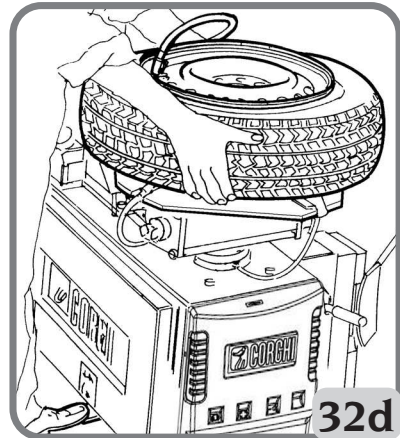
8.8.c. Inflating tubeless tyres

WARNING

Before carrying out the operations described below, always make sure that there is no dirt, dust or other impurities on the jaws near the air outlet holes.



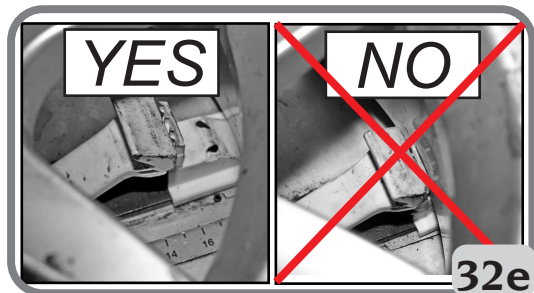
- Make sure that the wheel is secured to the table top with inside clamping (Fig. 32a).
- Bring the horizontal arm in its work position (Fig. 32b).
- Lower the vertical rod until it touches the rim (Fig. 32c).
- Lock the vertical rod in this position.
- Remove valve core and connect the Doyfe connector on the air hose to the valve stem (Fig. 32d).



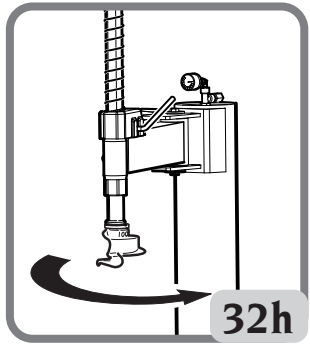
- Hold the tyre with your hands and lift it until there is a slight gap between the lower bead and bottom edge of the rim in order to close the upper bead and the top of the rim (fig. 32d).

- Fully press the inflation pedal down for a short period to the bead seating position (fig. 32f). The tyre will expand and the beads will seat.

- Release the wheel from the sliding clamps on the table top (Fig. 32e).



- Inflate the tyre by operating the proper pedal (Fig. 31d) in inflation position (average) (Fig. 32g) at short intervals; check the pressure gauge frequently to make sure that the pressure **NEVER** exceeds the maximum pressure specified by the tyre manufacturer.



- Move the swing arm in its not-working position and remove the tyre (Fig. 32h).

NOTICE

To increase the effectiveness of the inflation jets, always liberally lubricate beads and raise the lower bead while activating inflation jets.

NOTICE

To improve the operation of the tubeless tyre inflation system the compressed air line pressure must be between 8/10 bar.

Step down on the pedal to inflate tire and seal beads with inflation hose. Frequently stop to check bead seating pressure gauge.

WARNING

Explosion hazard. Do not exceed the manufacturer's maximum pressure as stated on the sidewall of the tyre when seating beads.
If tires being mounted require more than the tire manufacturer's maximum bead seating pressure and , the wheel should be removed from the tire changer, placed in an inflation cage, and inflated per manufacturer's instructions.

Reinstall valve stem core into the valve stem after beads have been seated, and then inflate tire to vehicle manufacturer recommended pressure.



WARNING

Activate air inflation jets only when sealing the bead. Do not point jets towards people.

Bleed air pressure from system before disconnecting supply line or other pneumatic components. Air is stored in a reservoir for operation of inflation jets.



WARNING

Only activate the air inflation jets if the rim securing device is locked in place and the tire is properly clamped.



WARNING

ESPLOSION HAZARD. Never mount a tire to a rim that is not the same diameter (e.g., 16 1/2 inch tire mounting on a 16 inch rim).

If the tyre is over-inflated, air may be removed from the tyre by pressing the brass manual air release button located below the air pressure gauge.

Disconnect the inflation hose from the valve stem.

9. TROUBLESHOOTING

PROBLEM	LIKELY CAUSES	REMEDIES
When you depress the table top rotate pedal, the fuses blow.	<input type="checkbox"/> Power cord shorted. <input type="checkbox"/> Motor shorted.	<input type="checkbox"/> Check wires. <input type="checkbox"/> Change fuses <input type="checkbox"/> Change motor.
Table top rotate pedal does not return to its home (centre) position.	<input type="checkbox"/> Control spring broken.	<input type="checkbox"/> Change control spring.
Bead breaker and table top rotate pedals do not return to their home positions.	<input type="checkbox"/> Pedal return spring broken <input type="checkbox"/> Grease nipple empty.	<input type="checkbox"/> Change pedal return spring. <input type="checkbox"/> Top up grease nipple with SAE 20 non detergent oil.
Air leak inside the machine (open the pedal unit panel and check exactly where the air is coming from).	<input type="checkbox"/> Air leak in bead breaker cock. <input type="checkbox"/> Air leak in table top cock.	<input type="checkbox"/> Change cock. <input type="checkbox"/> Change bead breaker cylinder. <input type="checkbox"/> Change table top cylinder. <input type="checkbox"/> Change swivel connector.

PROBLEM	LIKELY CAUSES	REMEDIES
Bead breaker cylinder has little force. It does not break the bead and leaks air.	<input type="checkbox"/> Silencer plugged. <input type="checkbox"/> Cylinder gaskets worn.	<input type="checkbox"/> Change gaskets. <input type="checkbox"/> Change bead breaker cylinder. <input type="checkbox"/> Change silencer.
Bead breaking cylinder leaks air at pin.	<input type="checkbox"/> Seals worn.	<input type="checkbox"/> Change gaskets. <input type="checkbox"/> Change bead breaker cylinder.
Table top will not turn in one direction.	<input type="checkbox"/> Reverser switch broken	<input type="checkbox"/> Change reverser switch.
Table top will not turn in either direction.	<input type="checkbox"/> Reverser switch broken. <input type="checkbox"/> Belt broken. <input type="checkbox"/> Gear motor jammed. <input type="checkbox"/> Fuse blown.	<input type="checkbox"/> Change reverser switch. <input type="checkbox"/> Change belt. <input type="checkbox"/> Change gear motor. <input type="checkbox"/> Change fuse.
Table top makes a third of a turn and then stops.	<input type="checkbox"/> Gear motor seizing.	<input type="checkbox"/> Change gear motor.
Table top does not clamp rim.	<input type="checkbox"/> Table top cylinder defective. <input type="checkbox"/> Clamping slide grippers worn.	<input type="checkbox"/> Change table top cylinder. <input type="checkbox"/> Change sliding clamp.
Table top demounts or mounts tires with difficulty.	<input type="checkbox"/> Insufficient belt tension.	<input type="checkbox"/> Adjust belt tension or change it.
Vertical slide lifts off too much or too little from the rim.	<input type="checkbox"/> Clamping plate not adjusted.	<input type="checkbox"/> Adjust plate.
Rim rest is blocked all the way out or all the way in.	<input type="checkbox"/> Foreign body jamming mechanism.	<input type="checkbox"/> Remove foreign bodies.
Inflation gauge needle does not go back to "0".	<input type="checkbox"/> Defective gauge. <input type="checkbox"/> Gauge damaged by impacts	<input type="checkbox"/> Change gauge.

EN



WARNING

Avoid personal injury or death.

The "Spare parts" handbook does not authorise the user to carry out any work on the machine other than the operations specifically described in the User Manual, and is only intended to enable the user to provide the technical assistance service with precise information in order to minimise response times.

10. MAINTENANCE

WARNING

Any operation intended to modify the setting value of the relief valve or pressure limited is forbidden. The manufacturer declines all liability for damage resulting from tampering this these valve.

WARNING



Before adjusting or servicing the machine, disconnect the electricity and compressed air supplies and ensure that all moving parts are suitably immobilised.

WARNING



Do not remove or alter any part of this machine (only technical assistance personnel is permitted to do so).

WARNING



When the machine is disconnected from the air supply, the devices bearing the sign shown above may remain pressurised.

WARNING

Before carrying out any maintenance operation or topping up with lubricant, disconnect the machine from the compressed air supply line.

The purpose of the regulator filter unit plus lubricator (FRL) is to filter the air, adjust the pressure and lubricate it.

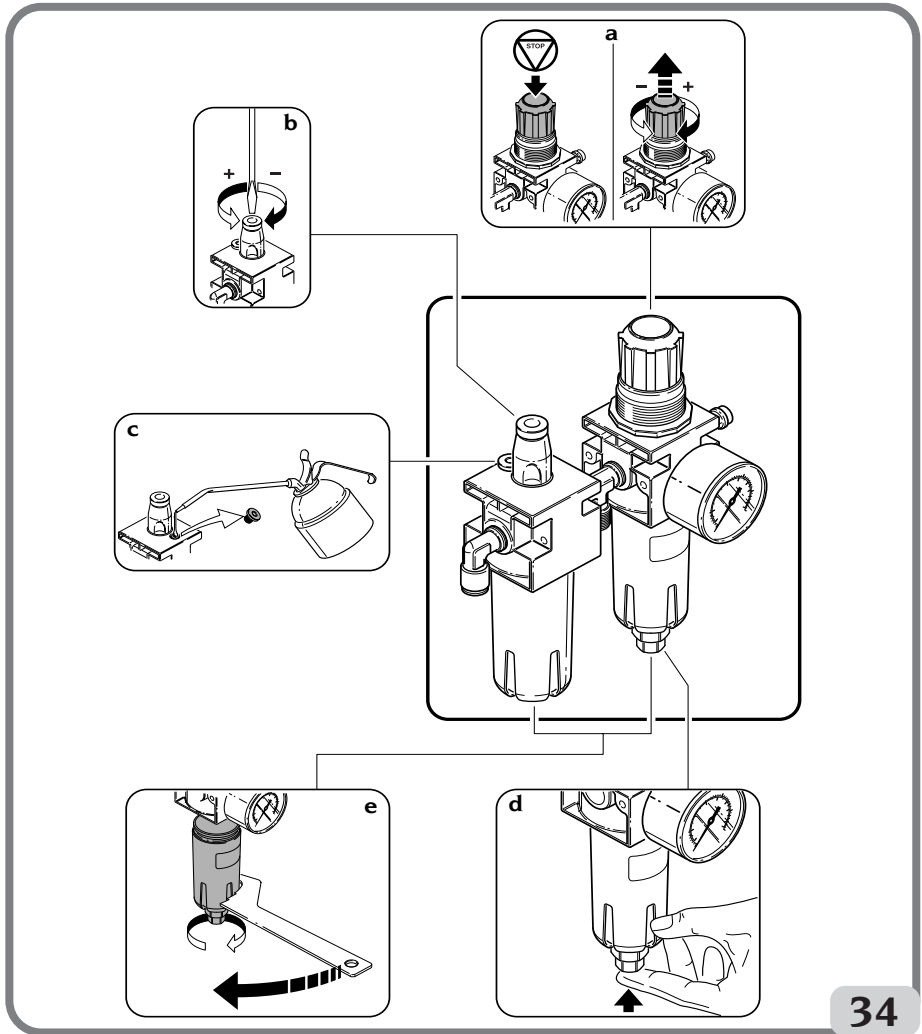
The “FRL” unit supports a maximum input pressure of 18 bar and has an adjustment range of 0.5 to 10 bar. The setting may be modified by pulling the handle out and then turning. After adjusting, return the handle to the locked position by pushing down (fig.34a). The lubricant flow-rate is adjusted by turning the screw on part “L”, (fig.34b); normally this unit is precalibrated to a pressure of 10Bar, with SAE20 viscosity lubricant in order to make a drop of lubricant come out, which can be seen from the specific cover, every 4 times the bead breaker is operated.

Periodically check the lubricant level through the specific windows and top up as shown in fig.34c. Top up only with non-detergent SAE20 oil equal to 50cc.

The filter regulator “FR” has an automatic condensation drain system, therefore in conditions of normal use special maintenance is not required. The condensate may however be drained manually at any time (fig.34d).

Normally the cups do not need to be removed, but check if this is necessary for maintenance operations after a long period of use. If a manual operation is not sufficient, use the specific key provided (fig.34e).

Clean with a dry cloth. Avoid contact with solvents.



NOTICE


Keep the work area clean.

Never use compressed air, water jets or solvents to remove dirt or deposits from the machine. When cleaning the area, take steps to avoid building up and raising dust as far as possible.

11. INFORMATION ABOUT SCRAPPING

If the machine is to be scrapped, remove all electrical, electronic, plastic and metal parts. Dispose of them separately, as provided for by local regulations in force.

12. ENVIRONMENTAL INFORMATION

The following disposal procedure must be applied to the machines having the crossed-out bin symbol on their data plate  .

This product may contain substances that can be hazardous to the environment and to human health if it is not disposed of properly.

We therefore provide you with the following information to prevent releases of these substances and to improve the use of natural resources.

Electrical and electronic equipment should never be disposed of in the usual municipal waste but must be separately collected for their proper treatment.

The crossed-out bin symbol, placed on the product and on this page, reminds the user that the product must be disposed of properly at the end of its life.

This prevents the inappropriate disposal of the substances which this product contains, or the improper use of some of them, from having hazardous consequences for the environment and human health. Furthermore, this helps to recover, recycle and reuse many of the materials contained in these products.

To this end, electrical and electronic manufacturers and distributors have set up proper collection and treatment systems for these products.

At the end of life your product contact your distributor to have information on the collection arrangements.

When buying this new product your distributor will also inform you of the possibility to return free of charge another end of life equipment as long as it is of equivalent type and has fulfilled the same functions as the supplied equipment.

Anyone disposing of the product otherwise than as described above will be liable to prosecution under the legislation of the country where the product is scrapped.

We also recommend you to adopt more measures for environment protection: recycling of the internal and external packaging of the product and proper disposal of used batteries (only if contained in the product).

With your help it is possible to reduce the amount of natural resources used to produce electrical and electronic equipment, to minimise the use of landfills for the disposal of the products and to improve the quality of life by preventing that potentially hazardous substances are released in the environment.

13. INFORMATION AND WARNINGS CONCERNING HYDRAULIC FLUID

Disposing of spent fluid

Do not dispose of used oil in sewers, storm drains, rivers or streams; collect it and consign it to an authorised disposal company.

Fluid leaks or spills

Contain the spilt product from spreading using soil, sand or any other absorbent material. The contaminated zone must be degreased with solvent, taking care not to allow vapours to form or stagnate, and the residual material from the cleaning process must be disposed of as envisaged by law.

Precautions for the use of hydraulic fluid

- Avoid contact with the skin.
- Avoid the formation or spreading of oil mists in the atmosphere.
- The following fundamental health precautions must therefore be adopted:
 - avoid spatters (suitable clothing, protective shields on machines);
 - wash frequently with soap and water; do not use cleaning products or solvents that irritate the skin or remove its natural protective oil;
 - do not dry your hands using soiled or greasy rags;
 - change your clothes if soaked and, in any case, at the end of the work shift;
 - do not smoke or eat with greasy hands.
- Also adopt the following preventive and protective equipment:
 - mineral oil resistant gloves with plush lining;
 - goggles, in case of spatters;
 - mineral oil resistant aprons;
 - protective shields, in case of spatters.

Mineral oil: first aid indications

- Swallowing: go to Casualty with the characteristics of the type of oil swallowed.
- Inhalation: in case of exposure to strong concentration of vapours or mists, take the affected person out into the open air and then to Casualty.
- Eyes: rinse with plenty of water and go to Casualty as soon as possible.
- Skin: wash with soap and water.



14. FIREFIGHTING MEANS USABLE

For guidance on the most suitable type of extinguisher, refer to the table below:

	Dry materials	Inflammable liquids	Electrical equipment
Water	YES	NO	NO
Foam	YES	YES	NO
Powder	YES*	YES	YES
CO2	YES*	YES	YES

YES* Use only if more appropriate extinguishers are not on hand or when the fire is small.

⚠ WARNING

The indications given in this table are of a general nature and should be used as a general guide. All the applications of each type of extinguisher must be obtained from the relevant manufacturer.

15. GLOSSARY

Tyre

A tyre consists of: **I-the actual tyre**, **II-the rim** (wheel), **III-the air chamber** (in tube type tyres), **IV-pressurised air**.

The tyre must:

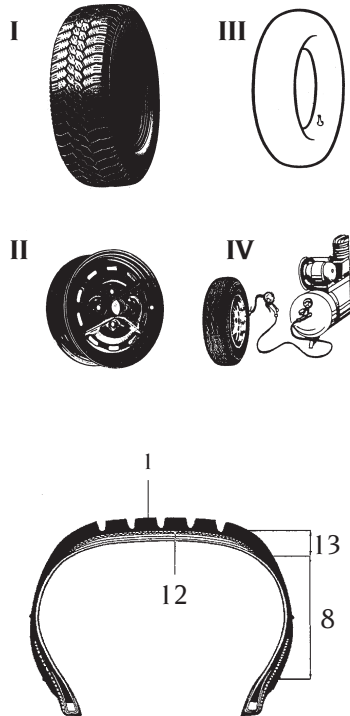
- withstand a load,
- ensure driving power,
- steer the vehicle,
- aid handling and braking,
- aid vehicle suspension.

I - Tyre The actual tyre is the main part of the overall tyre in contact with the road and is therefore designed to withstand internal air pressure and all other stress arising from use.

A tyre section shows the various parts it consists of:

1 - The tread. This is the part in contact with the ground when the tyre rolls. It comprises a rubber compound and a "pattern" that is suitable for ensuring good resistance to abrasion and good grip in dry and wet conditions, as well as quiet operating conditions.

2 - Edge or bracing. This is a metal fabric or textile insert, in the area of the outer bead part. It protects the casing plies from rubbing against the rim.

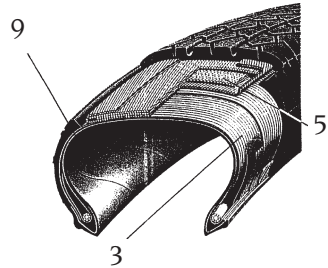


3 - Casing. This is the resistant structure and comprises one or more layers of rubber ply. The way the ply comprising the casing are arranged give the structure its name. The following structures are possible:

Conventional: the plies are inclined and arranged so that the strands comprising a ply overlap with those of the adjacent ply. The tread, which is the part of the tyre in contact with the ground, is part of the sidewalls and so during rolling, sidewall flexure is transmitted to the tread.

Radial: the casing consists of one or more plies with the cords in a radial direction.

A radial casing in itself is quite unstable. To make it stable and prevent bad tread movement in the area of contact with the ground, the casing and the undertread are reinforced with an annular structure, usually called belt. The tread and sidewall work with different, independent rigidities, so during rolling, sidewall flexure is not transmitted to the tread.



4 - Side ring. This is a metal ring comprising several steel strands. The casing plies are secured to the side ring.

5 - Belt. This is a non-flexible circumferential structure comprising cross-plys at very low angles, positioned below the tread, to stabilise the casing in the footprint area.

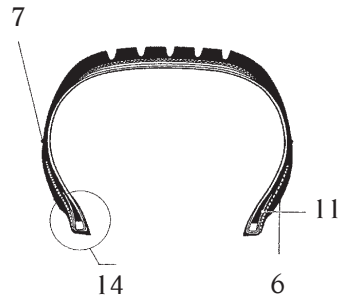
6 - Centring band. This is a small marking which indicates the circumference of the top part of the bead and is used as a reference to check exact tyre centring on the rim after mounting.

7 - Protective band. This is a circumferential marking in the area of the sidewall which is more exposed to accidental rubbing.

8 - Sidewall. This is the area between the shoulder and the centring band. It consists of a more or less thin layer of rubber, which protects the casing plies from lateral impact.

9 - Liner. This is a vulcanised, compound sheet, impermeable to air, inside tubeless tyres.

10 - Filling. This is a generally triangular rubber profile, above the side ring; it provides rigidity for the bead and gradually offsets the abrupt uneven thickness caused by the side ring.

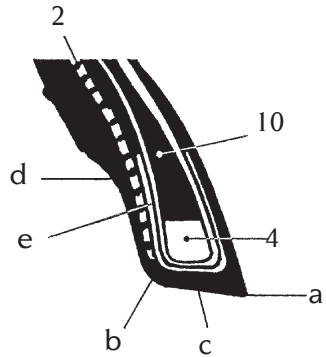


11 - Flap. This is the part of the casing ply around the side ring and placed against the casing, to secure the ply and prevent it from slipping.

12 - Foot. This is the innermost layer of the tread in contact with the belt, or if the latter is not present (conventional tyre) with the last casing ply.

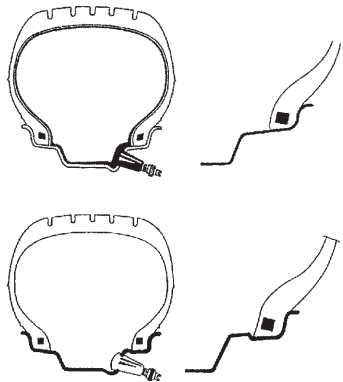
13 - Shoulder. This is the outer part of the tread, between the corner and start of the sidewall.

14 - Bead. This is the part joining the tyre to the rim. The bead point (a) is the inner corner. The spur (b) is the outer part of the bead. The base (c) is the area resting against the rim. The groove (d) is the concave part against which the rim shoulder rests.



Tube type tyres. As a tyre has to contain pressurised air for a fairly long time, an air chamber is used. The valve for adding air and maintaining, controlling and restoring air pressure is part of the chamber in this case.

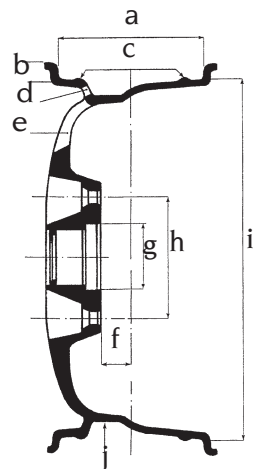
Tubeless tyres. Tubeless tyres consist of a tyre with inner sidewall lined with a thin layer of special impermeable rubber, called liner. This liner helps to maintain air pressure in the casing. This kind of tyre must be mounted on a specific rim, to which the valve is directly fixed.



II - Rim (Wheel). The wheel is the rigid metal part which connects the vehicle hub to the tyre, on a fixed but non-permanent basis.

Rim profile. The rim profile is the form of the section in contact with the tyre. It comprises different geometric forms, which ensure: easy tyre mounting (bead insertion in the rim well); safe driving, in terms of the bead anchored in its seat.

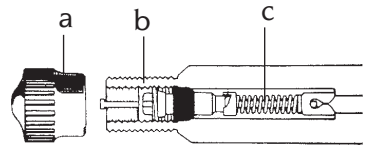
The rim section shows its various parts: a) rim width – b) shoulder height – c) tubeless anchoring (HUMP) – d) valve hole – e) ventilation opening – f) off set – g) central hole diameter – h) attachment hole centre to centre i) keying diameter – j) rim well.



III - Air chamber (tube type tyres). The air chamber is a closed ring-like rubber structure with valve, which contains pressurised air.

Valve. The valve is a mechanical device to inflate/deflate the tyre and maintain air pressure inside the air chamber

(or tyre in the case of tubeless tyres). It consists of three parts: the valve closing cap (a) (to protect the internal mechanism from dust and guarantee air tightness), an internal mechanism (b) and the base (c) (the outer lining).



Tubeless Inflater. Inflation system that makes the inflation of tubeless tyres easier.

Beading. Operation which takes place during inflation and ensures perfect centring between the bead and the rim edge.

Bead pressing gripper. A tool intended for use when mounting the upper bead. It is fitted so that it grips the shoulder of the rim and holds the tyre upper bead inside the rim well. It is generally used for mounting low profile tyres.

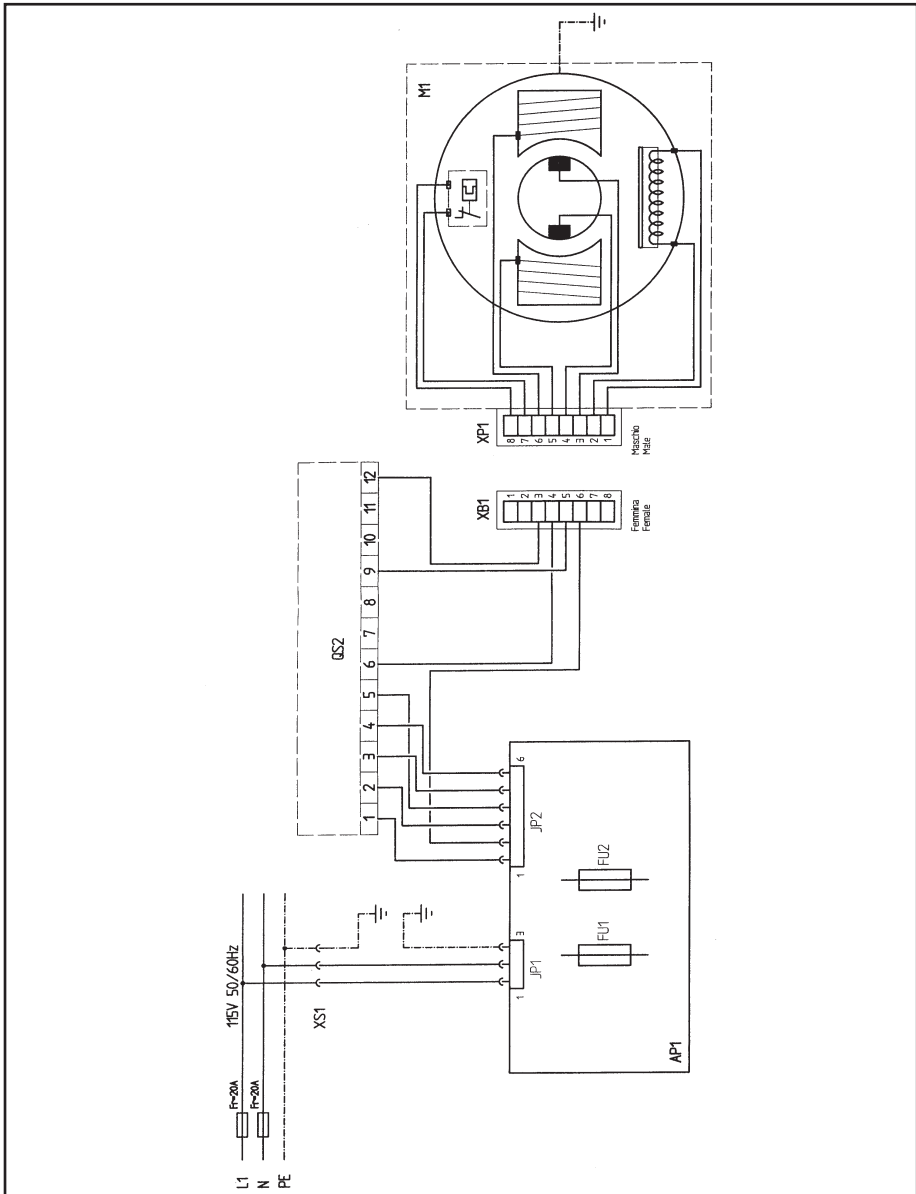
Air delivery regulator. Union allowing regulation of the air flow.

Bead breaking. Operation that allows the tyre bead to be detached from the rim edge.



16. GENERAL ELECTRIC LAYOUT DIAGRAMS

1Ph - 115 Volt Tyre changer



AP1 Motor board
 M1 Motor

QS2 Inverter switch
 XS1 Power supply socket

115/230V 1Ph Tyre changer

Posizione / Position	Situazione	Situation
A QS1	Pedale abbassato Rotazione antioraria del motore Rotazione oraria del piatto autocentrante	Pedal depressed Motor anti-clockwise rotation Turntable clockwise rotation
B QS1	Pedale alzato Rotazione oraria del motore Rotazione antioraria del piatto autocentrante	Pedal lifted Motor clockwise rotation Turntable anti-clockwise rotation
Neutral QS1	Pedale in posizione orizzontale Motore spento Piatto autocentrante fermo	Pedal in horizontal position Motor off Turntable still

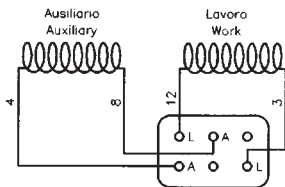
Solo versione CSA – CSA version only

115V 50-60Hz	220V 50-60Hz
C1=40uF 450V	C1=30uF 450V
R1 = 330K 1W	R1 = 330K 1W

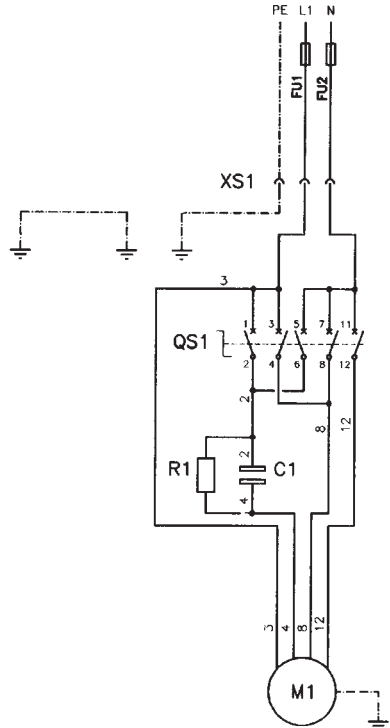
Versione standard – Standard version

115V 60Hz	220V 50-60Hz
C1=45uF 450V	C1=35uF 500V
R1 = 330K 1W	R1 = 330K 1W

FU1-FU2	
110V 50/60Hz	25A
220V 50/60Hz	20A



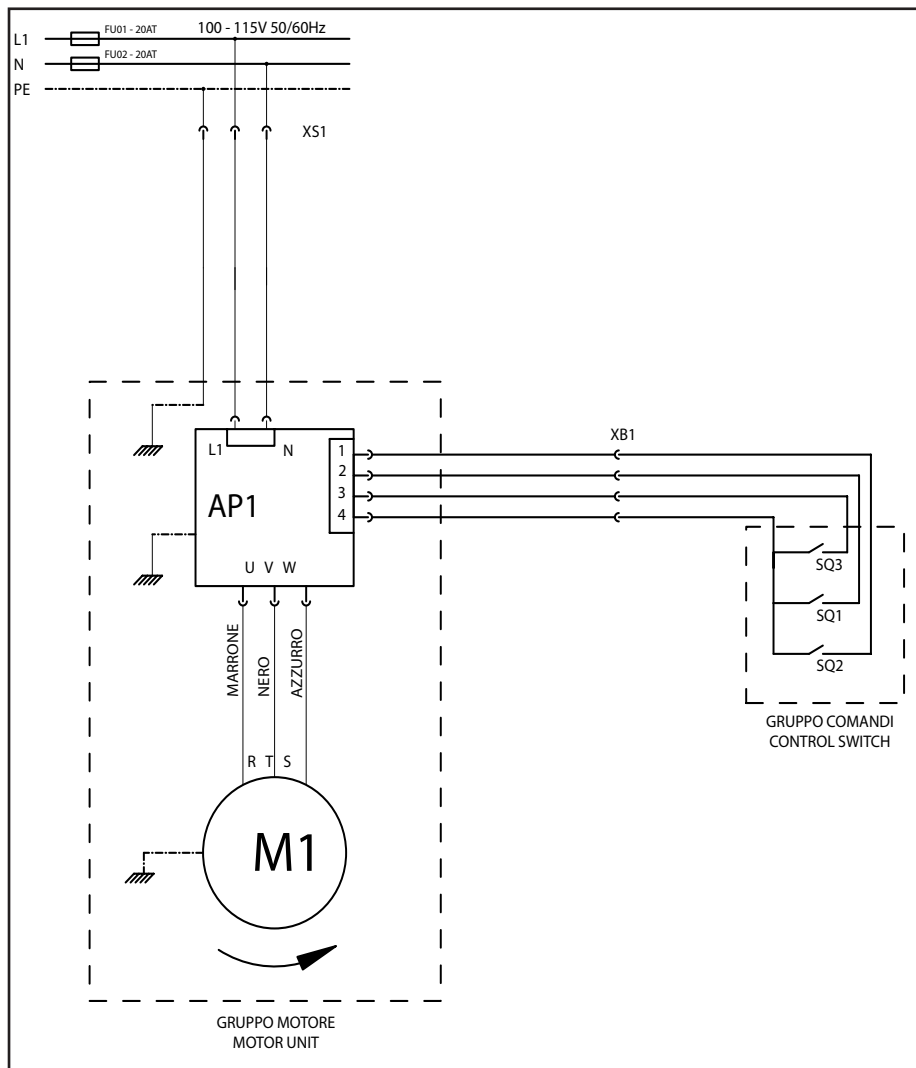
Schema cablaggio morsettiere
Wiring diagram terminal-blok



EN

- XS1 Power supply socket
- QS1 Inverter
- M1 Motor
- C1 Capacitor
- R1 Resistance

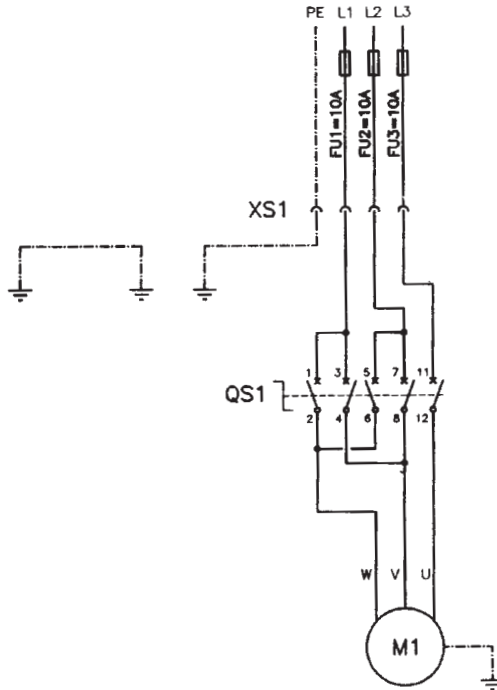
100-115-200-230V DV Tyre changer



- XS1 Power supply socket
- AP1 Single / two-speed motor motor
- M1 Motor
- SQ1 Two-speed micro-switch
- SQ2 Microswitch (CLOCKWISE rotation)
- SQ3 Microswitch (ANTICLOCKWISE rotation)

3Ph Tyre changer

Posizione / Position		Situazione	Situation
A		Pedale abbassato Rotazione antioraria del motore Rotazione oraria del piatto autocentrante	Pedal depressed Motor anti-clockwise rotation Turntable clockwise rotation
B		Pedale alzato Rotazione oraria del motore Rotazione antioraria del piatto autocentrante	Pedal lifted Motor clockwise rotation Turntable anti-clockwise rotation
Neutral		Pedale in posizione orizzontale Motore spento Piatto autocentrante fermo	Pedal in horizontal position Motor off Turntable still

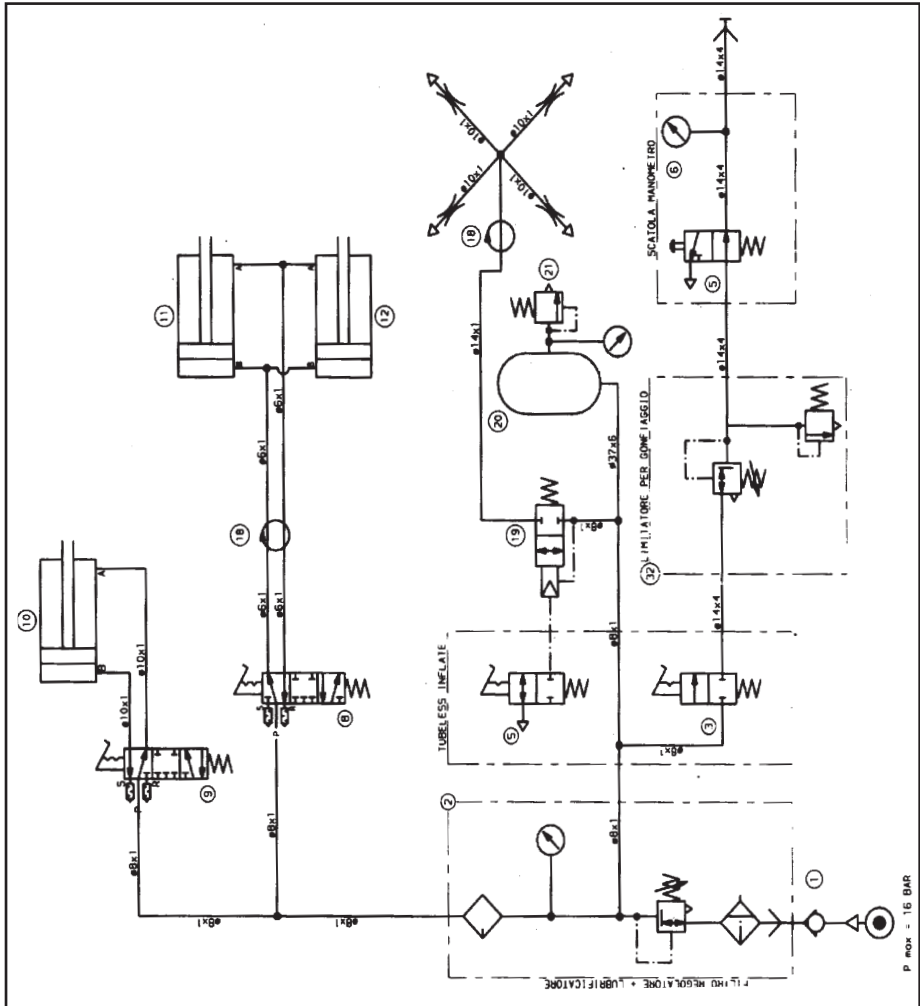


- XS1 Power supply socket
- QS1 Inverter
- M1 Motor



17. PNEUMATIC SYSTEM DIAGRAM

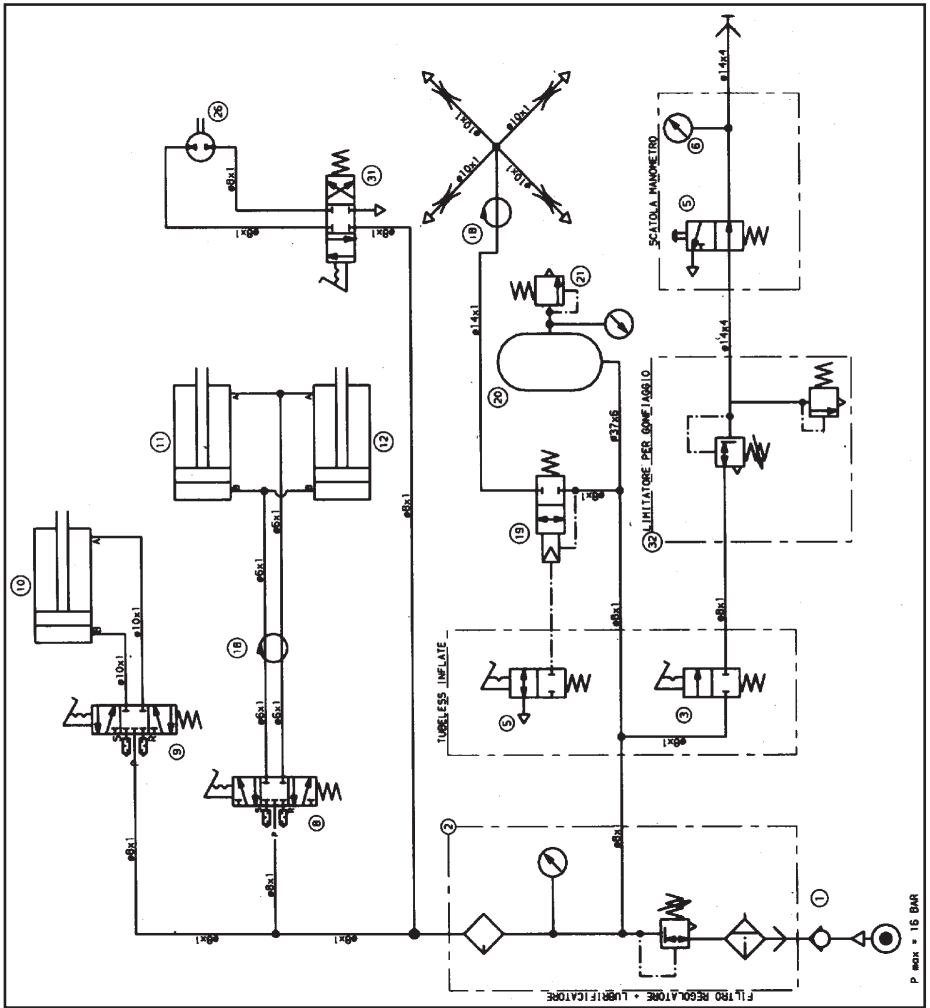
TYRE CHANGER WITH ELECTRIC MOTOR



- 1 Quick coupling
- 2 Regulator filter unit
- 3 Inflation foot pedal
- 5 Air release button
- 6 Pressure gauge
- 8 Table top valve
- 9 Bead breaker valve
- 10 Bead breaker cylinder

- 11 Rh table top cylinder
- 12 Lh table top cylinder
- 18 Swivel valve
- 19 Air blast valve
- 20 Tank
- 21 Relief valve
- 32 Inflating regulator unit

TYRE CHANGER WITH AIR MOTOR



- | | | | |
|----|-----------------------|----|--------------------------|
| 1 | Quick coupling | 12 | Lh table top cylinder |
| 2 | Regulator filter unit | 18 | Swivel valve |
| 3 | Inflation foot pedal | 19 | Air blast valve |
| 5 | Air release button | 20 | Tank |
| 6 | Pressure gauge | 21 | Relief valve |
| 8 | Table top valve | 26 | Pneumatic motor |
| 9 | Bead breaker valve | 31 | 5V - 3P motor air valve |
| 10 | Bead breaker cylinder | 32 | Inflating regulator unit |
| 11 | Rh table top cylinder | | |



TRADUCTION DES INSTRUCTIONS ORIGINAUX (ANGLAIS)

Documents protégés par le droit d'auteur. Tous droits réservés.

L'information contenue ici est sujette à changement sans avis au préalable.

Nous vous remercions de choisir notre démonte-pneu

CORGHI

À tous nos acheteurs

Nous vous remercions d'avoir acheté le démonte-pneu Corghi.

Votre démonte-pneu a été conçu pour fournir des années de bon et fiable service, tant qu'il est utilisé et entretenu conformément aux instructions fournies dans ce manuel.

Toutes les personnes qui utilisent et/ou entretiennent ce démonte-pneu doivent lire, comprendre et suivre tous les avertissements et les instructions fournies dans ce manuel, et être bien formés. Ce manuel du propriétaire doit être considéré comme faisant partie du démonte-pneu et doit y rester. Toutefois, rien dans le présent manuel, et aucun des dispositifs installés sur le démonte-pneu ne peut remplacer une formation adéquate, une opération minutieuse, un bon jugement et des pratiques de travail sans danger.

Toujours, s'assurer que votre démonte-pneu est en bon état de marche. Si vous pensez que quelque chose ne fonctionne pas bien ou qu'il y a une situation dangereuse, arrêter le démonte-pneu immédiatement et remédier à la situation avant de poursuivre. Si vous avez des questions à propos du bon usage ou de l'entretien de votre démonte-pneu, veuillez téléphoner, à votre représentant agréé, de Corghi.

Cordialement,
Corghi

INFORMATION SUR LE PROPRIÉTAIRE

Nom du
propriétaire _____

Nom du
propriétaire _____

Numéro
de modèle _____

Numéro
de modèle _____

Date
d'achat _____

Date
d'installation _____

Représentant
du service et des pièces _____

Numéro
de modèle _____

Représentant
du service et des pièces _____

Numéro
de modèle _____

LISTE DE VÉRIFICATION DE LA FORMATION

	Dressé	Refusée
<u>Mesures de sécurité</u>		
Étiquettes d'avertissement et de mises en garde	<input type="checkbox"/>	<input type="checkbox"/>
Points de pincement et autres dangers potentiels	<input type="checkbox"/>	<input type="checkbox"/>
Procédures d'exploitation sans danger	<input type="checkbox"/>	<input type="checkbox"/>
<u>Vérification pour l'entretien et la performance</u>		
Inspection de la tête de montage	<input type="checkbox"/>	<input type="checkbox"/>
Réglage et lubrification	<input type="checkbox"/>	<input type="checkbox"/>
<u>Blocage</u>		
Jantes en acier / alliage	<input type="checkbox"/>	<input type="checkbox"/>
Base creuse de la jante inversée	<input type="checkbox"/>	<input type="checkbox"/>
Mors internes en acier / blocage extérieur	<input type="checkbox"/>	<input type="checkbox"/>
<u>Détalonneur</u>		
Pneus classiques	<input type="checkbox"/>	<input type="checkbox"/>
Pneus à profil bas	<input type="checkbox"/>	<input type="checkbox"/>
<u>Démontage</u>		
Pneus de base avec talon et protecteur de plastique	<input type="checkbox"/>	<input type="checkbox"/>
Mise en place complète pour monter / démonter la tête afin d'éviter qu'elle tombe en panne	<input type="checkbox"/>	<input type="checkbox"/>
Lubrification du talon lors du démontage des pneus à profil bas	<input type="checkbox"/>	<input type="checkbox"/>
Base creuse de la jante inversée	<input type="checkbox"/>	<input type="checkbox"/>
<u>Montage</u>		
Pneus classiques	<input type="checkbox"/>	<input type="checkbox"/>
Montage des pneus rigides et à profil bas	<input type="checkbox"/>	<input type="checkbox"/>
Base creuse de la jante inversée	<input type="checkbox"/>	<input type="checkbox"/>
Bonne lubrification du talon pour protéger le montage	<input type="checkbox"/>	<input type="checkbox"/>
<u>Gonflage</u>		
Mesures de sécurité	<input type="checkbox"/>	<input type="checkbox"/>
Lubrification et démontage de l'obus de valve	<input type="checkbox"/>	<input type="checkbox"/>
Étanchéité et collage du talon	<input type="checkbox"/>	<input type="checkbox"/>



Table des matières

1. COMMENT DÉMARRER	65
1.1 INTRODUCTION	65
1.1.a. But du manuel	65
1.2 POUR VOTRE SÉCURITÉ	65
1.2.a. Consignes et avertissement général	66
1.2.b. Emplacement de l'autocollant	69
1.2.c. Connexions électriques et pneumatiques	73
1.2.d. Spécifications techniques	74
1.2.e. Pression d'air	75
1.3. JANTE SPÉCIALE / CONSIDÉRATIONS POUR LE CHOIX DE PNEUS..	76
1.4. UTILISATION PRÉVUE DE LA MACHINE.....	76
1.5. FORMATION DES EMPLOYÉS	76
1.6. VÉRIFICATION AVANT L'UTILISATION.....	77
1.7. PENDANT L'UTILISATION	77
2. TRANSPORT, ENTREPOSAGE ET MANUTENTION.....	77
3. DÉBALLAGE / MONTAGE	78
4. LEVAGE / MANUTENTION.....	81
4.1 DÉGAGEMENT POUR INSTALLATION	81
5. A 9830 HP DESCRIPTION	82
6. DIMENSIONS HORS TOUT	83
7. COMPOSANTES DE L'ÉQUIPEMENT	84
(LES PRINCIPAUX ÉLÉMENTS DE LA MACHINE)	84
8. PROCÉDURES DE BASE - UTILISATION	86
8.1. VÉRIFICATION PRÉLIMINAIRE	86
8.2. DÉCIDER DE QUEL CÔTÉ DE LA ROUE LE PNEU DOIT ÊTRE DÉMONTÉ	87
8.3. DÉTALONNAGE	87
8.4. BLOCAGE DE LA ROUE.....	88
8.5. DÉMONTAGE DE LA ROUE	91
8.6. MONTAGE DE LA ROUE	93
8.7. APPROUVÉ UHP ET PROCÉDURE DE DÉMONTAGE ET DE MONTAGE DE PNEUS POUR ROULAGE À PLAT	94
8.8. GONFLAGE DU PNEU	94
8.8.a. Informations Sur La Sécurité.....	94
8.8.B. Gonflage de pneus.....	96
8.8.c. Gonflage de pneus à chambre incorporée	98

FR

9. DÉPANNAGE	100
10. ENTRETIEN	102
11. INFORMATION POUR DISPOSER LES REBUTS	104
12. INFORMATION CONCERNANT L'ENVIRONNEMENT	104
13. INFORMATION ET AVERTISSEMENTS SUR LE FLUIDE HYDRAULI- QUE	105
14. MOYENS DE LUTTE CONTRE L'INCENDIE	106
15. GLOSSAIRE.....	106
16. SCHÉMA D'INTERCONNEXION ÉLECTRIQUE, GÉNÉRAL	110
17. SCHÉMA DU SYSTÈME PNEUMATIQUE	114

1. COMMENT DÉMARRER

1.1 INTRODUCTION

1.1.a. But du manuel

Le but de ce manuel est de donner des instructions d'exploitation, d'utilisation optimale et d'entretien de votre machine. Si vous vendez cette machine, veuillez donner ce manuel au nouveau propriétaire. En plus, afin que nous puissions contacter nos clients pour toutes informations de sécurité, si nécessaire, veuillez demander au nouveau propriétaire de remplir et retourner à Corghi le formulaire de changement de propriété joint à la page précédente de ce manuel. Autrement, le nouveau propriétaire peut envoyer un courriel à service@corghi.com. Ce guide présume que le technicien a une excellente connaissance de la jante, du choix du pneu et du service. Il / elle doit également avoir une excellente connaissance du fonctionnement et des caractéristiques de sécurité de tous les outils associés (tels que le présentoir, le pont élévateur, ou le cric rouleur) utilisés, et dispose des outils manuels et électriques adéquats nécessaires pour travailler sans danger.

La première partie procure des informations de base pour bien exploiter la famille du démonte-pneu A 9830 HP. Les parties qui suivent contiennent des informations détaillées sur l'équipement, les procédures et l'entretien. Les mots en « italiques » font référence aux parties spécifiques de ce manuel, qui procure des informations supplémentaires ou des explications. Ces références devraient être lues afin d'avoir plus d'informations sur les instructions mentionnées. Le propriétaire du démonte-pneu est le seul responsable pour faire respecter les procédures de sécurité et d'organiser une formation technique. Le démonte-pneu doit être seulement utilisé par un technicien qualifié et formé. Maintenir des dossiers du personnel qualifié est l'entière responsabilité du propriétaire ou de la direction.

La famille du démonte-pneu A 9830 HP sert à monter, démonter et gonfler des pneus de véhicules légers (voitures, pas de camions ou motos) avec des dimensions maximales de 47 pouces de diamètre et 14 pouces de largeur.

Des copies de ce manuel ainsi que des documents jointes à la machine sont disponibles auprès de Corghi en spécifiant le modèle et le numéro de série.

AVIS : Les détails de la conception sont sujets à changement. Certaines illustrations peuvent légèrement varier en apparence par rapport à la machine que vous avez.

1.2 POUR VOTRE SÉCURITÉ

DÉFINITIONS DES DANGERS

Ces symboles identifient des situations qui peuvent être préjudiciables pour votre sécurité et/ou endommager l'équipement.

FR



DANGER



DANGER: Indique une situation extrêmement dangereuse qui, si elle n'est pas évitée, provoquera de graves accidents pouvant entraîner la mort.



AVERTISSEMENT



DANGER : Indique une situation possiblement dangereuse qui, si elle n'est pas évitée, entraînera la mort ou des blessures graves.



MISE EN GARDE



DANGER : Indique une situation possiblement dangereuse qui, si elle n'est pas évitée, pourrait provoquer des blessures mineures ou modérées.

AVIS

AVIS : Utilisé sans le symbole d'alerte de sécurité, indique une situation potentiellement dangereuse qui, si elle n'est pas évitée, pourrait provoquer des dommages matériels.

1.2.a. Consignes et avertissement général



AVERTISSEMENT

Éviter les blessures corporelles Lire attentivement, comprendre et suivre les avertissements et les directives données dans ce manuel. Ce manuel est une partie importante de votre produit.
À conserver avec la machine dans un endroit sûr pour une consultation ultérieure.

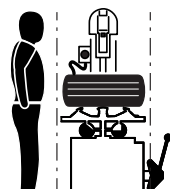
1. Si les procédures d'utilisation et d'entretien fournies dans ce manuel ne sont pas correctement effectuées, ou les autres instructions également dans ce manuel, ne sont pas respectées, un accident pourrait survenir. Dans tout ce manuel, on fait toujours allusion à « un accident » pourrait survenir. Tout accident pourrait causer à vous ou à un observateur des blessures ou voire la mort, ou entraîner des dommages matériels.
2. Des pneus surgonflés pourraient exploser, projetant ainsi des fragments dangereux qui pourraient causer un accident.



AVERTISSEMENT

Éviter les blessures corporelles Lire attentivement, comprendre et suivre les avertissements et les directives données dans ce manuel. Ce manuel est une partie importante de votre produit.
À conserver avec la machine dans un endroit sûr pour une consultation ultérieure.

3. Des pneus et des jantes qui ne sont pas du même diamètre sont dépareillés. Ne jamais monter ou gonfler un pneu et une jante dépareillés. Par exemple, ne jamais monter un pneu de 16,5 po sur une jante de 16 po ou vice-versa. Ceci est très dangereux. Un pneu et une jante dépareillés peuvent exploser et causer un accident.
4. Ne jamais dépasser la pression de collage du talon recommandé fourni par le fabricant de pneus, comme indiqué sur le flanc du pneu. Surveiller attentivement le manomètre du tuyau
5. Si les pneus montés exigent plus de pression que ce que le fabricant du pneu recommande pour le collage du talon, la roue doit être retirée du démonte-pneu, et placée dans une cage de gonflage, et gonflé selon les instructions du fabricant
6. L'utilisation des appareils de gonflage branchés à des sources externes (ex. : pistolets) est interdite
7. Ne jamais exposer votre tête ou toute autre partie du corps au-dessus d'un pneu pendant le gonflage ou le collage du talon. Cette machine n'est pas faite pour protéger contre l'explosion de pneus, de chambres à air ou des jantes.
8. Toujours rester à l'écart du démonte-pneu lors du gonflage, ne jamais se pencher dessus.



DANGER

Un pneu monté sur une jante qui explose peut être propulsé vers le haut et l'extérieur avec suffisamment de force pour pourrait causer des blessures graves ou voire la mort

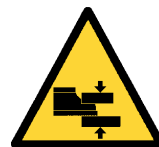
Ne jamais monter un pneu sauf si la taille du pneu (moulée sur le flanc) correspond exactement à la taille de la jante (gravé sur la jante) ou si la jante ou le pneu est défectueux.

Ne jamais dépasser la pression du pneu recommandé par le fabricant.

Ce démonte-pneu n'est pas un dispositif de sécurité et n'empêchera pas les pne d'exploser. S'assurer qu'il n'y a personne dans l'aire de travail.

9. Risque d'écrasement. Présence d'éléments mobiles. Tout contact avec les pièces mobiles pourrait causer un accident.

- Un seul opérateur, à la fois, peut travailler sur la machine.
- Éloigner tous les observateurs du démonte-pneu.
- Garder les mains et les doigts à distance du bord de la jante pendant les opérations de démontage et de montage.
- Garder les mains et les doigts à distance de la tête de montage et de démontage durant le fonctionnement.
- Garder les mains, les pieds et les autres parties du corps à l'écart des pièces mobiles.
- Ne pas utiliser des outils autres que ceux livrés avec le démonte-pneu.
- Utiliser un lubrifiant approprié pour éviter le grippage du pneu.
- Faire attention lors de la manipulation du pneu / jante ou du levier.



FR

10. Danger d'électrocution.

- Ne jamais laver au jet ou à pression un démonte-pneu électrique.
- Ne pas faire fonctionner la machine avec un câble d'alimentation endommagé
- Si une rallonge est nécessaire, utiliser un câble de puissance égale ou supérieure à celui de la machine. Un câble d'une valeur inférieure pourrait surchauffer. Un câble d'une valeur inférieure pourrait surchauffer et prendre feu.
- Faire attention de ne pas trébucher sur le câble ou de le débrancher.



11. Risque de blessure aux yeux. Des projections de fragments, de saleté et de liquides peuvent se produire pendant les opérations de mise en place du talon et de gonflage. Enlever tous les fragments de la bande de roulement et de la roue. Porter des lunettes de sécurité approuvées OSHA, CE ou autres pendant les opérations de montage et démontage.

12. Toujours inspecter la machine soigneusement avant l'utilisation. L'équipement manquant, cassé ou usé (y compris les étiquettes autocollantes d'avertissement) doit être réparé ou remplacé avant utilisation.

13. Ne jamais laisser des vis et des écrous ou autre équipement sur la machine. Ils peuvent se coincer entre les pièces mobiles et causer un dysfonctionnement.

14. NE JAMAIS installer ou gonfler des pneus qui sont coupés, endommagés, pourris ou usés. NE JAMAIS installer un pneu sur une jante fêlée, pliée, rouillée, usée, déformée ou endommagée.

15. Si un pneu est endommagé durant le montage, ne pas le monter. Le retirer de la zone de service et identifier clairement que le pneu est endommagé.

16. Pour gonfler les pneus, utiliser de courtes impulsions de jets d'air tout en surveillant attentivement la pression, pneu, la jante et le talon. NE JAMAIS dépasser la pression du pneu recommandée par le fabricant.

17. Cet équipement a des pièces internes pouvant produire des étincelles qui ne devraient pas être exposées à des vapeurs inflammables (essence, diluants, solvants, etc.). Cet équipement ne doit pas être situé dans un endroit fermé ou au sous-sol.

18. Ne jamais faire fonctionner la machine si vous êtes sous l'effet d'alcool, de médicaments et/ou de drogues. Si vous prenez des médicaments sur prescription ou pas, vous devez consulter un professionnel de la santé concernant les effets secondaires du médicament qui pourrait nuire à votre capacité d'utiliser la machine en toute sécurité.



19. Toujours utiliser de l'équipement de protection personnel approuvé OSHA, CE ou autres et prescrits (PPE) durant l'utilisation de la machine. Consulter votre superviseur pour des consignes supplémentaires.



20. Enlever les bijoux, montres, vêtements amples, cravates et attacher les cheveux longs avant d'utiliser la machine.

21. Porter des chaussures de sécurité antidérapante pendant l'utilisation du démonte-pneu.



22. Porter un support dorsal et utiliser une bonne technique de levage lors de la pose, de la manipulation, du levage ou du démontage des roues du démonte-pneu.




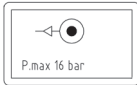






23. Cette machine peut être utilisée, entretenue ou réparée seulement par des

employés formés de votre entreprise. Les réparations doivent être effectuées seulement par du personnel qualifié. Votre représentant du service CORGHI est la personne la plus qualifiée. L'employeur est responsable de déterminer si un employé est qualifié pour effectuer des réparations sur la machine en toute sécurité ou si la réparation devrait être faite par les utilisateurs.



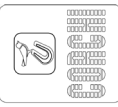


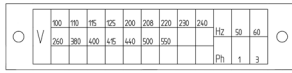




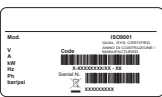
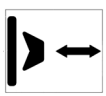
24. L'utilisateur devrait comprendre tous les décalques posés sur l'équipement avant l'utilisation.





25. Bloquer la jante sur le plateau durant le gonflage.

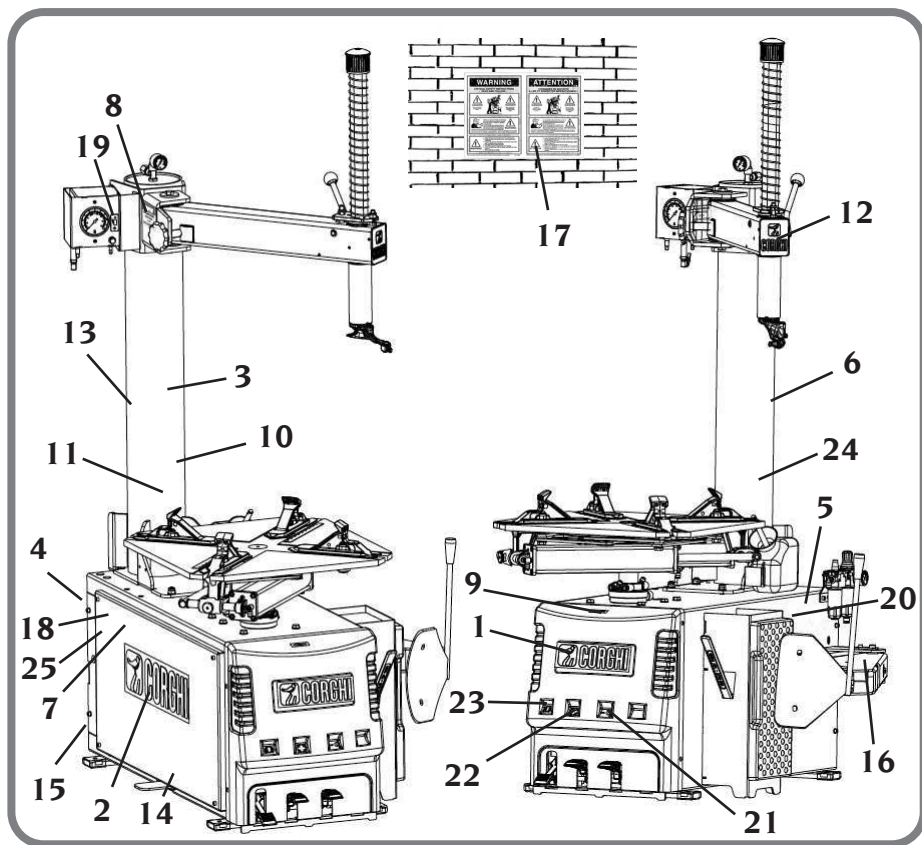
1.2.b. Emplacement de l'autocollant

No.	Numéro de pièce	Dessin	Description
1	460384		AUTOCOLLANT AVEC LE LOGO CORGHI (FACE FRONTALE)
2	4-107095		AUTOCOLLANT AVEC LE LOGO CORGHI (FACE GAUCHE)
3	4-123253		AUTOCOLLANT, A 9830 HP
4	446429		AUTOCOLLANT, PRESSION MAX. D'ARRIVÉE 16 BARS
5	446442		AUTOCOLLANT, AVERTISSEMENT, RÉSERVOIR SOUS PRESSION
6	450022		AUTOCOLLANT, FILTRE
7	446598		AUTOCOLLANT, DÉCONNECTER L'ALIMENTATION
8	432740		AUTOCOLLANT, DANGER D'EXPLOSION MARCHÉ USA
8	4-141768		AUTOCOLLANT, DANGER D'EXPLOSION MARCHÉ CANADIEN
9	418135		AUTOCOLLANT, SENS DE LA ROTATION

FR

No.	Numéro de pièce	Dessin	Description
10	446433		AUTOCOLLANT, RISQUE D'ÉCRASEMENT DE LA MAIN
11	446435		AUTOCOLLANT, RISQUE D'ÉCRASEMENT DE LA MAIN
12	429974		AUTOCOLLANT, LOGO CORGHI (FACE GAUCHE)
13	462778		DECAL, DANGER DE L'INFLATION
14	435150		AUTOCOLLANT, PÉDALE DE GONFLAGE
15	446388		AUTOCOLLANT, RÉSEAU ALIMENTÉ
16	446431		AUTOCOLLANT, RISQUE D'ÉCRASEMENT DE LA MAIN / DU PIED
17	450005		AUTOCOLLANT, CONSIGNES DE SÉCURITÉ
18	425211		AUTOCOLLANT, DANGER D'ÉLECTROCUTION
19	446436		AUTOCOLLANT, VALVE DE GONFLAGE
20			AUTOCOLLANT, MODÈLE ET NUMÉRO DE SÉRIE
21	439212		AUTOCOLLANT, PÉDALE DE COMMANDE DU DÉTALONNEUR

No.	Numéro de pièce	Dessin	Description
22	439213		AUTOCOLLANT, PÉDALE DE FERMETURE DES MORS
23	439214		AUTOCOLLANT, PÉDALE DE ROTATION DU PLATEAU
24	4-100901		AUTOCOLLANT, 2 SPEED
25	4-121505A		AUTOCOLLANT, ATTENTION. MARCHÉ CANADIEN



FR

AUTOCOLLANT DANGER AVERTISSEMENT



pièce no 446433. Risque d'écrasement.



pièce no 446435. Risque d'écrasement.



pièce no 446431. Risque d'écrasement.



pièce no 446442. DANGER D'EXPLOSION.
Ne pas perforer Danger - contenant pressurisé



pièce no 425211 A. Risque d'électrocution.



pièce no 432740. Danger d'explosion.



pièce no 4-141768. Danger d'explosion.



pièce no 450005. Consignes de sécurité.
Doit être apposé près du démonte-pneu
dans un endroit bien visible par l'opérateur.



pièce no 4-121505A. Attention.



pièce no 425083. Terminal de mise à la masse.



pièce no 446237. Terminal de mise à la masse.



pièce n. 462778. DANGER DE L'INFLATION.

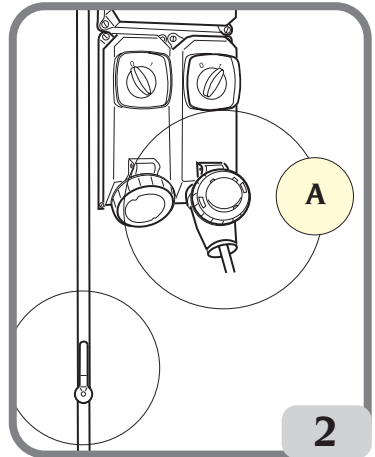
1.2.c. Connexions électriques et pneumatiques

Le branchement électrique doit être dimensionné de manière appropriée en ce qui concerne :

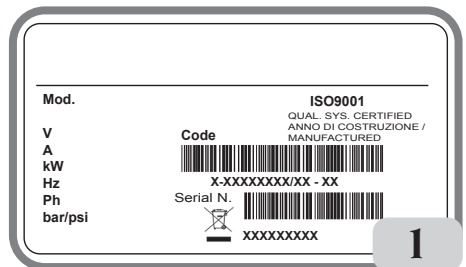
- la puissance électrique consommée par la machine est indiquée sur la plaque signalétique (Fig. 1);
- la distance entre la machine et le point de raccordement de l'alimentation, afin que la tension chute sous pleine charge ne dépasse pas 4% (10% lors de la phase de démarrage) par rapport à la tension nominale indiquée sur la plaque signalétique.

- L'opérateur doit :

- installer une prise d'alimentation sur le câble d'alimentation selon les normes de sécurité pertinentes;
- brancher la machine à une prise dédiée - A, Fig. 2 - et installer un disjoncteur de sécurité différentiel avec un courant résiduel de 30 mA;
- installer des fusibles pour protéger la ligne d'alimentation selon le calibre indiqué dans le schéma de branchement général dans ce manuel ;
- brancher la machine à une prise industrielle;



FR



la machine ne doit pas être branchée à des prises domestiques.

POUR LE MARCHÉ CANADIEN SEULEMENT:

- La machine doit être câblée et être équipée d'un disjoncteur de sécurité différentiel, 20A maximum, avec un courant résiduel de 30 mA.
- Monter un fusible pour protéger la ligne d'alimentation nominale comme indiqué sur le schéma de câblage général de ce manuel.

AVIS

Une connexion de mise à la terre adéquate est essentielle pour un bon fonctionnement de la machine.

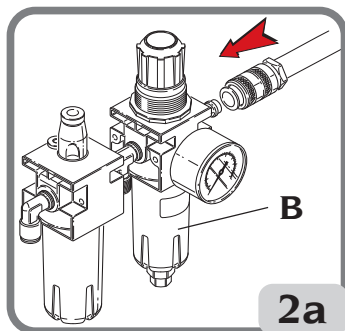
S'assurer que la pression disponible et la capacité du système d'air comprimé sont compatibles avec ce qui est requis pour le bon fonctionnement de la machine - voir la section « Spécifications Techniques ». Pour le bon fonctionnement de la machine, la conduite d'air comprimé doit fournir une pression minimum de 8,5 bars et un maximum de 16 bars et avec un débit d'air assuré supérieur à la consommation moyenne de la machine, qui sont égales à 187 NI/min.

AVIS

Pour le bon fonctionnement de l'équipement, l'air produit doit être traité de manière appropriée (pas au-dessus de 5/4/4 selon la norme ISO 8573-1)

Vérifier que le groupe de lubrification B, Fig.2a contient de l'huile pour lubrifier l'air; le remplir au besoin. Utiliser l'huile SAE20.

Le client doit fournir une vanne pour couper l'arrivée d'air en amont du groupe traitement d'air et régulateur périphérique fourni avec la machine.



1.2.d Spécifications techniques

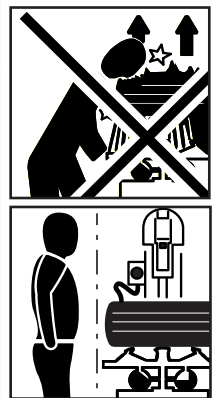
- Capacité de blocage du plateau
 - blocage intérieur..... de 13" à 29"
 - blocage extérieur de 10" à 26"
- Largeur de la jante de 3" à 14"
- Diamètre maximum du pneu..... 47"
- Largeur maximum du pneu..... 14"
- Tension d'alimentation: see table
- Ouverture du détalonneur : de 5" à 15"
- Force du détalonneur..... 15000 N (pression 145 psi)
- Pression de service 145 psi
- Poids 245 Kg
- Niveau sonore lors du fonctionnement < 70 dB (A)


Numéro	Puissance du moteur :	kW	Vitesse de rotation tpm	Couple Nm	Poids des pièces électrique / électronique kg
A 9830 HP	400Volt/3ph 50Hz	0.75	8.5	1200	11.5
	200/230Volt/3ph 60Hz	0.75	8.5	1200	11.5
	200/230Volt/3ph 50Hz	0.75	8.5	1200	11.5
	200/230Volt/1ph 50Hz	0.75	8.5	800	11.5
	200/230Volt/1ph 60Hz	0.75	8.5	800	11.5
	115Volt/1ph 50/60Hz	0.55	11	950	10
	115Volt/1ph 60Hz	0.75	8.5	800	11.5
	200/230Volt/1ph 50/60Hz DV	0.75	6-15	1200	10.2
	MOTEUR À AIR	/	6.5	800	/

Les niveaux sonores indiqués correspondent au niveau d'émission et ne représentent pas nécessairement des niveaux de fonctionnement sans danger. Bien qu'il existe une relation entre les niveaux d'émissions et les niveaux d'exposition, ceci ne peut pas être utilisé de manière fiable pour établir si d'autres précautions sont nécessaires. Les facteurs qui déterminent le niveau d'exposition auquel l'opérateur est soumis, sont la durée de l'exposition, les caractéristiques du milieu de travail, les autres sources de bruit, etc. Les niveaux d'exposition permis peuvent varier d'un pays à un autre. Cependant, cette information permettra aux utilisateurs de la machine de mieux évaluer les dangers et les risques.

1.2.e. Pression d'air

La machine est équipée d'une vanne de limitation de pression pour minimiser le risque de surgonfler le pneu.




DANGER

- **DANGER D'EXPLOSION**
- Ne pas dépasser la pression recommandée par le fabricant du pneu.
- Il faut toujours faire correspondre les dimensions du pneu et de la jante.
- Faire attention aux éventuelles déchirures du pneu.
- En le gonflant, adopter une position en dehors du volume cylindrique vertical occupé par la roue.

FR

1. Ne jamais dépasser ces limites de pression :

- La pression de la conduite d'alimentation (du compresseur) est de 220 psi (15 bars).
- Pression d'exploitation (manomètre sur le régulateur) est de 145 psi (10 bars).

Ne jamais dépasser la pression de collage du talon recommandée (mesurer avec le manomètre sur le tuyau flexible) fournie par le fabricant de pneus, comme indiqué sur le flanc du pneu.

2. Activer le gonflage par jet que pour coller le talon.
3. Purger le système d'alimentation avant de débrancher le tuyau ou les autres composantes pneumatiques. L'air est stocké dans un réservoir pour le gonflage par jets.
4. Activer le gonflage par jets seulement si le dispositif de blocage de la jante est en place et que le pneu est correctement agrippé (quand c'est possible).

1.3. JANTE SPÉCIALE / CONSIDÉRATIONS POUR LE CHOIX DE PNEUS

AVIS

Les roues équipées avec de capteurs de basse pression ou des pneus spéciaux et des jantes avec des designs requièrent des procédures spéciales. Veuillez consulter le manuel d'entretien des fabricants de roues et pneus.

1.4. UTILISATION PRÉVUE DE LA MACHINE

Cette machine doit être utilisée uniquement pour enlever et remplacer un pneu d'automobile sur une jante d'automobile, à l'aide d'outils avec lesquels il est équipé. Tout autre usage est inapproprié et pourrait provoquer un accident.

Cette machine ne fonctionne pas sur les roues de motos

1.5. FORMATION DES EMPLOYÉS

1. L'employeur doit offrir un programme de formation sur les risques impliquant l'entretien des roues à tous les employés qui font ce travail ainsi que les procédures de sécurité à suivre. Entretien ou entretenir signifie monter ou démonter les roues, ainsi que du travail connexe comme gonfler, dégonfler, installer, enlever et manutentionner.

- L'employeur doit s'assurer qu'aucun employé ne travaille sur les roues à moins qu'il ait été formé et connaisse les procédures correctes d'entretien du type de roues en cours d'entretien et ainsi que les procédures de fonctionnement en toute sûreté.
- Les informations minimums qui seront enseignées dans cette formation sont contenues dans ce manuel.

2. L'employeur doit s'assurer que chaque employé démontre et maintient la capacité d'assurer le service de roues en toute sécurité, y compris l'exécution des tâches suivantes :

- Démonter les pneus (dégonflement inclus).
- Inspecter et identifier les composantes de la roue.
- Monter les pneus.
- L'utilisation d'un dispositif de blocage, cage, barrière, ou toute autre installation.
- Manutention des roues.
- Gonfler le pneu.
- Comprendre le fait de toujours rester à l'écart du démonte-pneu lors du gonflage et de l'inspection de la roue après le gonflage, ne jamais se pencher dessus.
- Poser et démonter les roues.

3. L'employeur doit évaluer la capacité de chaque employé d'effectuer ces tâches en toute sécurité sur les roues, et doit fournir une formation complémentaire si nécessaire pour assurer que chaque employé fasse le travail de façon compétente.

1.6. VÉRIFICATION AVANT L'UTILISATION

Avant de commencer un travail, vérifier soigneusement si toutes les composantes de la machine, surtout les pièces en caoutchouc ou en plastique, sont bien en place et en bon état de fonctionnement. Si l'inspection révèle des dommages ou une usure excessive, même un petit peu, remplacer immédiatement ou réparer la composante.

1.7. PENDANT L'UTILISATION

Dans le cas où vous entendez un bruit bizarre ou vous sentez des vibrations inhabituelles, si une composante ou si le système ne fonctionne pas correctement, ou s'il n'y a quelque chose d'inhabituel, arrêtez immédiatement l'utilisation de la machine.

- Identifier la cause et remédier.
- Contacter votre superviseur au besoin.

Pas d'observateur à 20 pi de la machine durant son fonctionnement. Pour arrêter la machine en cas d'urgence :

- débrancher la prise d'alimentation électrique;
- couper le réseau d'alimentation en l'air comprimé en débranchant la vanne d'arrêt (raccord à enclenchement rapide)

2. TRANSPORT, ENTREPOSAGE ET MANUTENTION

Conditions pour transporter la machine

Le démonte-pneu doit être transporté dans son emballage d'origine et rangé dans la position indiquée sur l'emballage.

- Dimensions d'emballage :

- largeur 840 mm
- profondeur 1140 mm
- hauteur 970 mm

- Poids avec emballage:kg 288

Spécifications pour l'entreposage et l'expédition de la machine

Température : -25° à +55°C.

AVIS

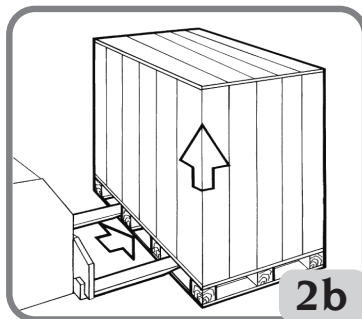
Ne pas empiler d'autres marchandises sur le dessus de l'emballage ou des dommages peuvent survenir.

FR

Manutention

Pour déplacer l'emballage, insérer les fourches du chariot élévateur dans les trous prévus à cet effet à la base de l'emballage (palette) (Fig. 2b).

Avant de déplacer la machine, veuillez consulter la section LEVAGE / MANUTENTION



AVIS

Conserver l'emballage original en bon état pour utilisation future si l'équipement doit être expédié.

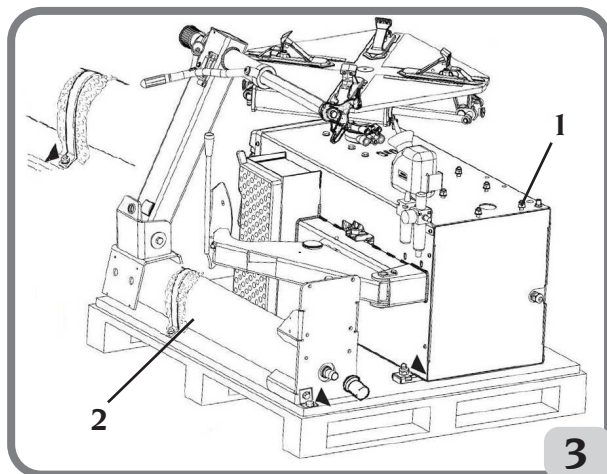
3. DÉBALLAGE / MONTAGE

AVERTISSEMENT

Faire très attention lors du déballage, montage, levage et installation de la machine comme décrite ci-dessous.

À défaut de respecter ces instructions, des dommages pourraient survenir sur la machine et compromettre ainsi la sécurité de l'opérateur.

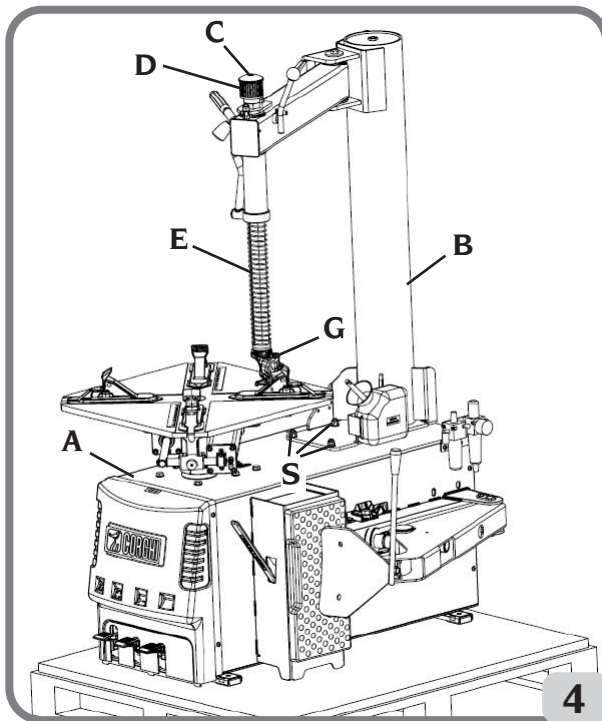
- Retirer la partie supérieure de l'emballage et s'assurer que la machine n'a subi aucun dégât lors du transport; identifier les points de fixation de la machine sur la palette (Fig. 3).



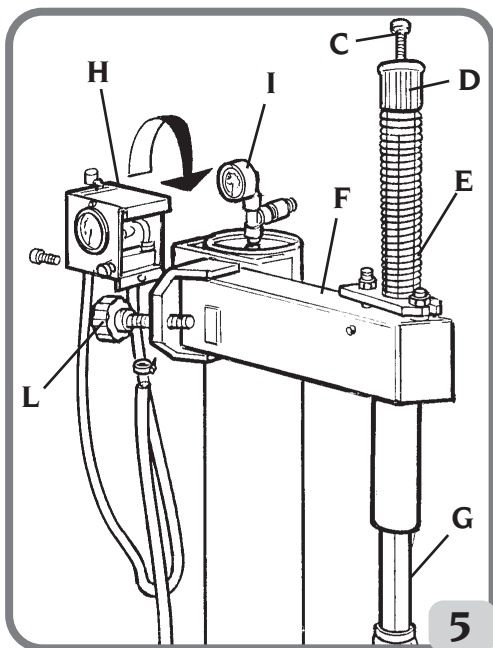
- La machine est composée de 3 éléments principaux (Fig.3):
 - bâti (1)
 - colonne avec un réservoir interne et une tête de montage et un bras (2)
 - boîte avec un manomètre et de l'équipement standard
- Après avoir enlevé la colonne 2, il est recommandé de la placer en position horizontale afin d'éviter qu'elle tombe et s'abîme.

Assembler les différentes parties de la machine :

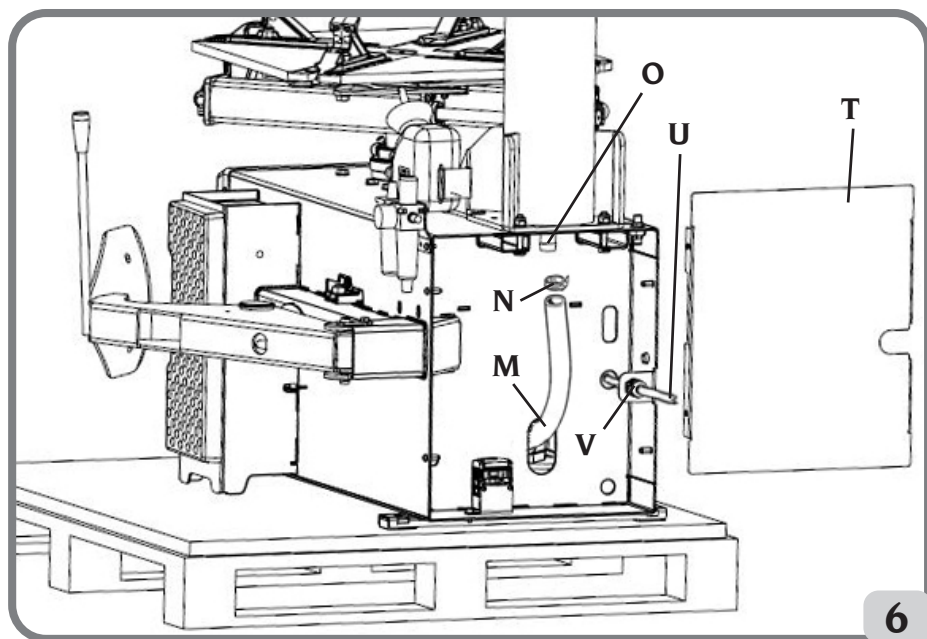
- Soulever la tour « B », la poser sur le bâti « A » et la fixer avec les écrous « S » fournis comme la Fig. 4.
- Retirer la vis « C » de fixation du bouton « D » et de la tour « G » (Fig.4); tirer la tour vers le bas du bras oscillant « F », retirer le ressort « E » de la tour.
- Réinsérer (de la même manière) la tour « G » dans le bras oscillant « F » et insérer le ressort « E » (Fig.5); remonter le bouton et la vis (Fig.5).



- Monter le boîtier avec le manomètre « H » sur la tour (Fig.5), et le fixer.
- Enlever le bouchon et le fixer à la place du clapet + manomètre « I » (Fig.5).
- Visser le bouton de réglage « L » (Fig.5).
- Retirez le panneau arrière « T » et brancher le tuyau en caoutchouc « M » dans le raccord « O » et serrer l'attache « N » du tuyau (Fig.6).
- Monter le câble d'alimentation « U » en plaçant la bague de verrouillage « V » dans la fente (voir la figure 6). Pendant la manipulation, le câble d'alimentation se trouve à l'intérieur du compartiment arrière.
- Reposer le panneau arrière « T ».



5

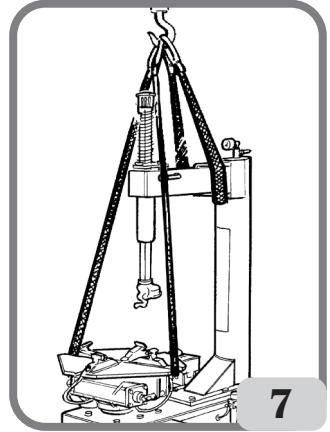


6

4. LEVAGE / MANUTENTION

Pour enlever la machine de la palette, l'accrocher comme illustrée dans la Fig.7.

Il faut utiliser le point de levage lorsque vous devez déplacer la machine. Ne pas déplacer la machine tant que la prise électrique et la conduite d'air ne sont pas débranchées



4.1 DÉGAGEMENT POUR INSTALLATION



AVERTISSEMENT

RISQUE D'EXPLOSION OU DE FEU. Ne jamais utiliser la machine dans un endroit où elle sera exposée à des vapeurs inflammables (essence, diluants de peinture, solvants, etc.). Ne jamais installer cette machine dans un endroit fermé ou au sous-sol.



DANGER

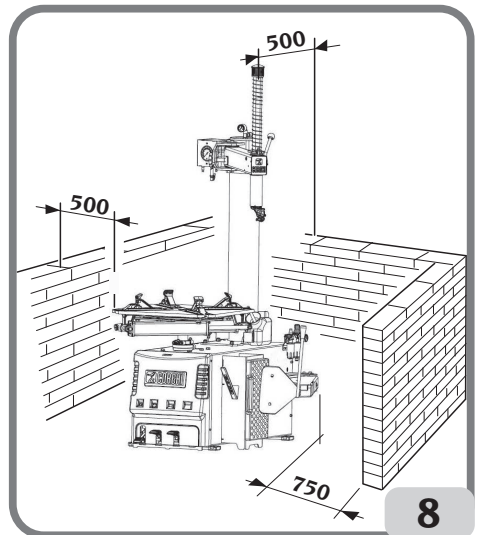
RISQUE D'EXPLOSION OU DE FEU. Ne jamais utiliser la machine dans un endroit où elle sera exposée à des vapeurs inflammables (essence, diluants de peinture, solvants, etc.). Ne jamais installer cette machine dans un endroit fermé ou au sous-sol.

IMPORTANT : pour le bon fonctionnement et la sécurité de la machine, le niveau d'éclairage dans le lieu d'utilisation devrait être d'au moins 300 lux.

AVIS

Ne pas installer la machine à l'extérieur. Elle est conçue pour une utilisation à l'intérieure dans un endroit couvert.

Installer le démonte-pneu dans la position de travail choisie, tout en se conformant aux dégagements minimum illustré dans la Fig.8. La surface doit pouvoir supporter une capacité d'au moins 1 000 kg/m².



FR

Conditions d'environnement de travail

- Taux d'humidité relative 30% à 95% sans condensation.
- Température 0°C à 50°C.



AVERTISSEMENT

Chaque fois que la machine reste débranchée de la conduite d'air pour de longues périodes de temps, vérifier le fonctionnement direct des commandes avec le bras déport, suite à la procédure de restauration de la pression. Faire la première opération de contrôle très lentement.

5. A 9830 HP DESCRIPTION

Le A 9830 HP est un démonte-pneu électro-pneumatique.

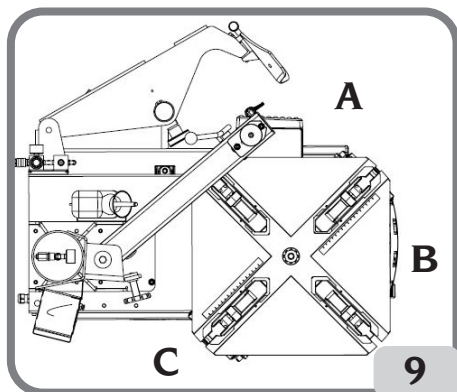
La machine est compatible avec tout type jantes monobloc à base creuse avec les dimensions et poids indiqués dans le paragraphe des SPÉCIFICATIONS TECHNIQUES. La machine de construction solide fonctionne avec une roue en position verticale pour le détalonnage et en position horizontale pour le montage et le démontage des pneus. Toutes les fonctions sont contrôlées par l'opérateur manuellement par des pédales et des vannes et leviers.

Ce démonte-pneu est conçu uniquement pour monter et démonter les pneus, utilisant les outils fournis comme décrit dans ce manuel.

Cette machine est équipée d'un système de gonflage indépendant de toutes les autres fonctions décrites plus haut. Faire très attention lors de l'utilisation (lire le chapitre sur le GONFLAGE).

La figure 9 montre les positions de l'opérateur lors des différentes étapes de travail :

- A Décollage du talon
- B Démontage et montage du pneu
- C Zone de gonflage.





AVERTISSEMENT

RISQUE DE BLESSURE PAR ÉCRASEMENT. L'inclinaison de la colonne doit être effectuée de position de travail B (Fig. 9), tout en gardant les mains à l'écart des pièces mobiles de la machine.

Chaque machine a une plaque signalétique Fig. 10, avec les informations sur la machine et les spécifications techniques.

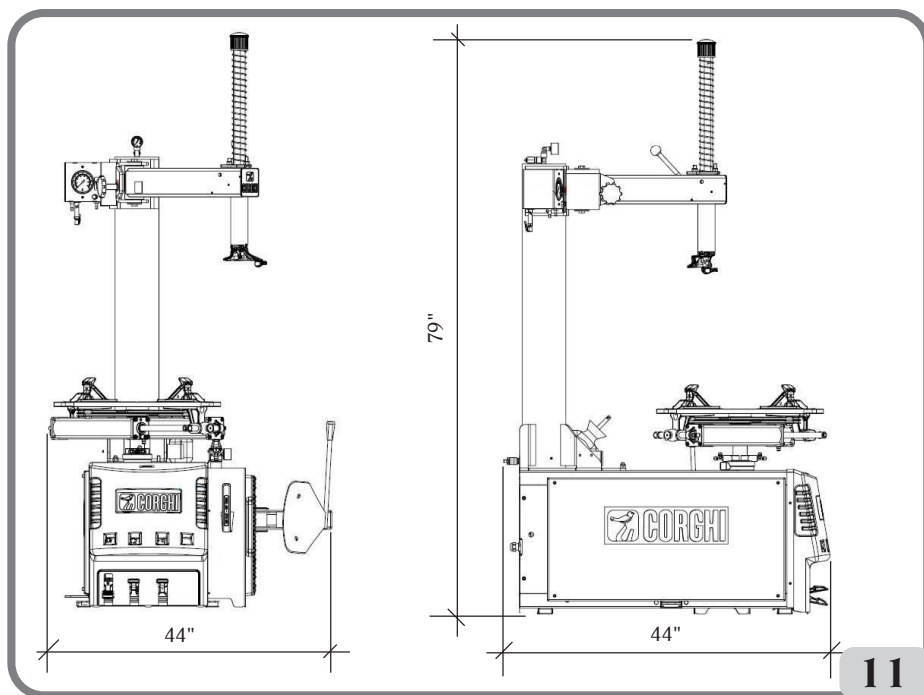
Ainsi que les détails sur le fabricant, la plaque indique :

- Modèle - Marque de la machine;
- V - Tension d'alimentation en Volts;
- A - Courant en Ampères;
- kW - Puissance en kW;
- Hz - Fréquence en Hz;
- Ph - Nombre de phases;
- bar - Pression de service en bar
- Numéro de série - Numéro de série de la machine ;
- ISO 9001 - Certification de la compagnie
- Plan qualité ;
- Marquage EC -EC

Mod.	ISO9001
V	QUAL. SYS. CERTIFIED
A	ANNO DI COSTRUZIONE /
kW	MANUFACTURED
Hz	Code
Ph	
bar/psi	X-XXXXXXXX/XX-XX
	Serial N.
	
	XXXXXXXXXX

10

6. DIMENSIONS HORS TOUT



11

FR

7. COMPOSANTES DE L'ÉQUIPEMENT

(LES PRINCIPAUX ÉLÉMENTS DE LA MACHINE)

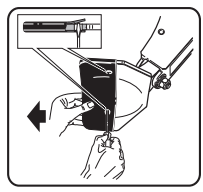
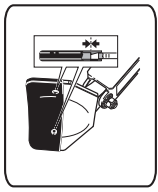
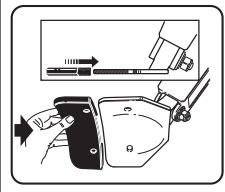
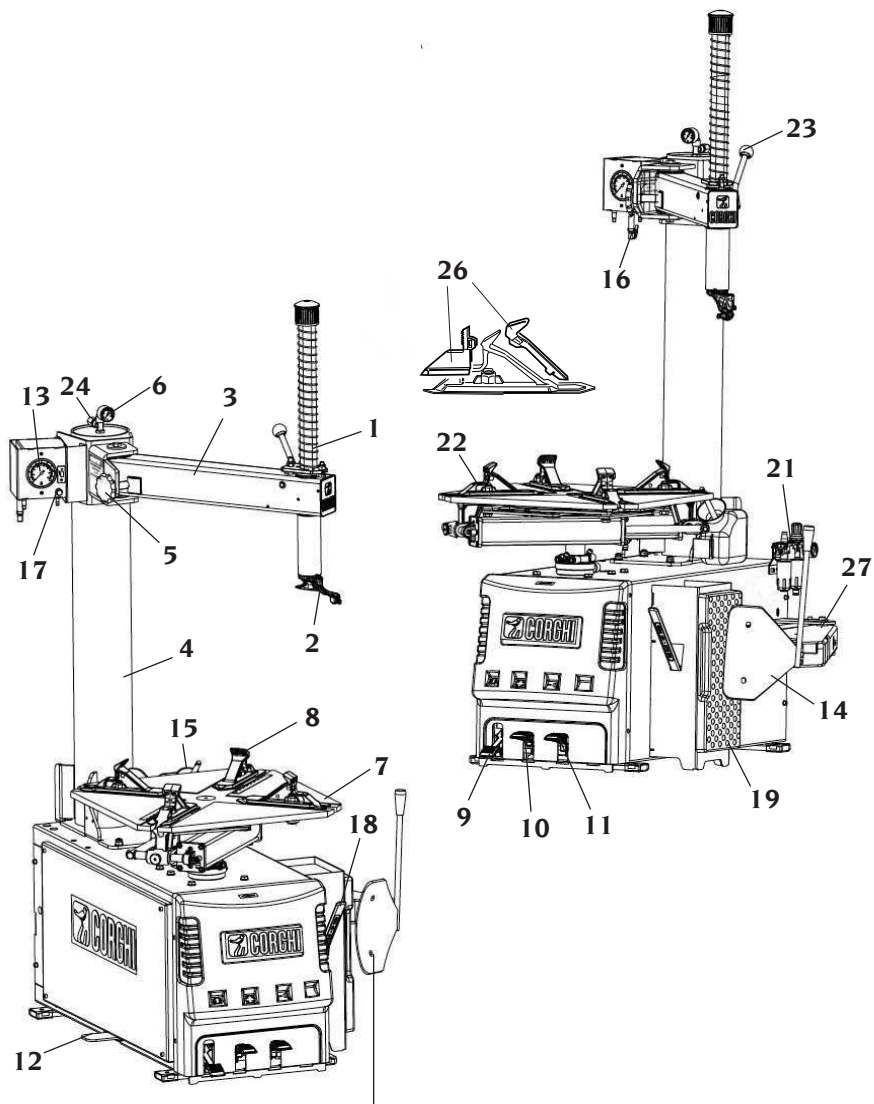


AVERTISSEMENT

Apprendre à connaître votre machine : savoir exactement comment la machine fonctionne est la meilleure façon de garantir la sécurité et les performances de la machine. Connaître la fonction et l'emplacement des commandes. Vérifier soigneusement que toutes les commandes de la machine fonctionnent correctement. La machine doit être installée et utilisée correctement et régulièrement entretenue afin de prévenir les accidents et les blessures.

Nomenclature des pièces et description (Fig.12):

- 1 Tour (tête de montage / démontage - bras de maintien - permet le réglage vertical de la tête de montage / démontage).
- 2 Tête de montage / démontage (permet de monter et démonter le pneu de la roue).
- 3 Bras oscillant (pour le réglage horizontal de la tête de montage / démontage)
- 4 Réservoir (contient de l'air comprimé nécessaire au système de gonflage de pneus à chambre incorporée).
- 5 Bouton de réglage du bras oscillant.
- 6 Clapet + manomètre (clapet de surpression de 175 psi max et manomètre de lecture de la pression).
- 7 Plateau avec mors (plateau rotatif de support de la roue).
- 8 Mors (pour bloquer la roue sur le plateau).
- 9 Pédale de rotation du plateau à trois positions :
 - position 0 : arrêt plateau
 - pédale appuyée (et maintenue pressée par le pied) : rotation dans le sens horaire
 - pédale soulevée (et maintenue soulevée par le pied) : rotation dans le sens anti-horaire
- 10 Pédale de fermeture des mors à trois positions : OUVERTURE / FERMETURE et APPROCHE
- 11 Pédale de commande du détalonneur (elle commande le sabot 14 détalonneur)
- 12 Pédale de gonflage (pédale à trois positions pour le gonflage du pneu avec le raccord Doyfe 16).
- 13 Manomètre (il indique la pression de gonflage des pneus).
- 14 Sabot du détalonneur (sabot mobile pour décoller le talon de la jante).
- 15 Bouteille de lubrifiant.
- 16 Raccord « Doyfe » (il se fixe sur la valve du pneu pour le gonflage).
- 17 Bouton de clapet de sûreté (pour faire sortir manuellement du pneu de l'air en excès).
- 18 Outil pour décolle talon.
- 19 Support de la jante (support mobile 2 positions - roues normales et de courses).
- 20 Protège-lame.
- 21 Filtre / graisseur et régulateur de pression (groupe de filtrage et de lubrification de l'air avec régulateur pour limiter la pression à 145 psi [10 bars]).
- 22 Buses de gonflage (les jets d'air des buses gonflent les parois des pneus à chambre intégrée pendant le gonflage).
- 23 Levier vertical de verrouillage (bloque la tête de montage / démontage sur le bord de la jante).
- 24 Clapet de sécurité (pression maximale 175 psi [12 bars]).
- 26 Kit de protection pour les jantes en alliage.
- 27 Bras détalonneur.



8. PROCÉDURES DE BASE - UTILISATION

AVERTISSEMENT

RISQUE D'ÉCRASEMENT :

Certaines pièces de la machine, comme la tête, les bras, les jambes, les détalonneurs et la table pivotante bougent seules.

Garder les mains et les autres parties du corps à l'écart des pièces mobiles de la machine.

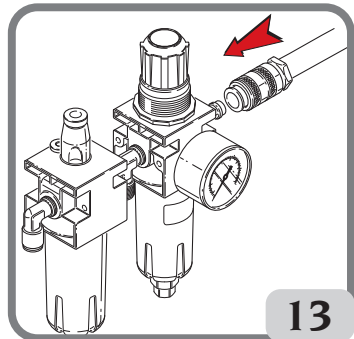


AVERTISSEMENT

ÉVITER DES BLESSURES

Avant de travailler sur la machine :

- débrancher la prise d'alimentation électrique;
- isoler la conduite d'air comprimé en débranchement de la vanne d'arrêt (raccord à connexion rapide) (Fig.13).



13

AVERTISSEMENT

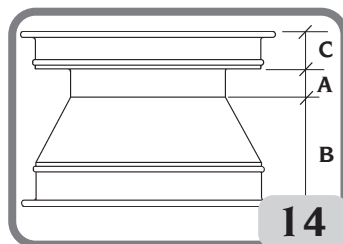
Éviter tout mouvement imprévu de la machine ou toute chute. Utiliser seulement les outils et l'équipement d'origine de CORGHI.

8.1. VÉRIFICATION PRÉLIMINAIRE

Vérifier que la pression est au moins à 8 bars sur le manomètre du régulateur de filtre. Si la pression est inférieure, le fonctionnement de certaines procédures automatiques n'est pas garanti. Dès que la pression est de nouveau à la normale, la machine fonctionnera correctement. Vérifier que la machine est correctement connectée au réseau électrique.

8.2. DÉCIDER DE QUEL CÔTÉ DE LA ROUE LE PNEU DOIT ÊTRE DÉMONTÉ

Voir Fig. 14. Trouver la position A sur la jante. Trouver la plus grande largeur B et la plus petite largeur C. Les pneus doivent être montés et démontés avec la roue sur le plateau avec la plus petite largeur C vers le haut.

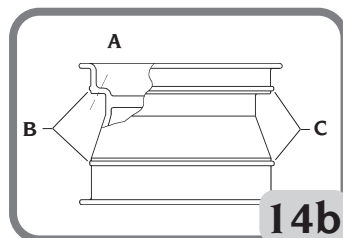
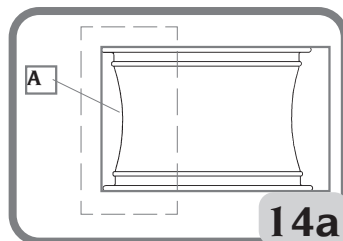


Roues spéciales

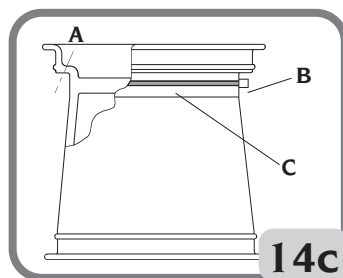
Jante en alliage : certaines jantes en alliage ont des gorges A peu profondes ou pas de gorge du tout - Fig. 14a. Ces jantes ne sont pas approuvées par les normes du DOT(département des Transports).

Les initiales DOT certifient que les pneus sont conformes aux normes de sécurité adoptées par les États-Unis et le Canada (ces roues ne peuvent pas être vendues dans ces marchés).

Roues de haute performance (courbure asymétrique) -Fig. 14b : Certaines roues européennes ont des jantes avec une courbure C très prononcée, à l'exception de la zone A de l'ouverture de la valve où la courbure B est moins prononcée. Sur ces roues le talon doit d'abord être cassé dans la zone de l'ouverture de la valve, sur les deux côtés haut et bas.

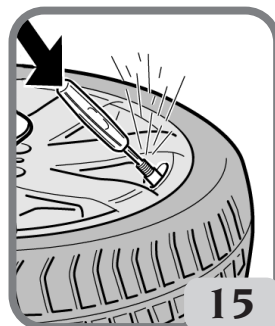


Pneus avec capteur de pression - Fig. 14c. Pour travailler correctement sur ces roues et éviter d'abîmer le capteur (qui est incorporé dans la valve, fixé à la ceinture, collé à l'intérieur du pneu, etc.) il faut suivre correctement les procédures de montage et démontage (réf. Procédures approuvées pour montage /démontage de pneus pour roulage à plat et des pneus UHP)

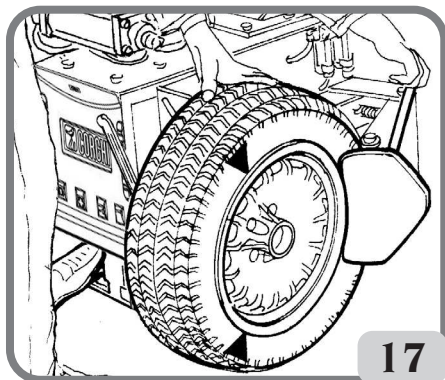
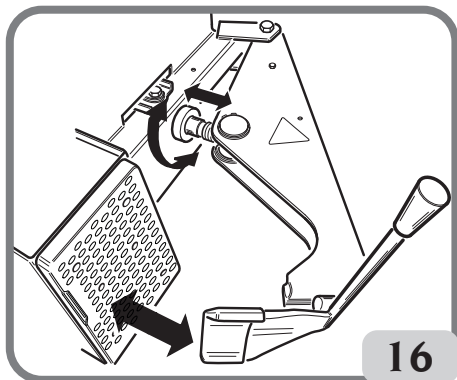


8.3. DÉTALONNAGE

- Dégonfler complètement le pneu, enlever l'obus de valve (Fig. 15).
- Réglez l'ouverture de le bras détalonneur en tournant la vis sur la tige du cylindre (fig.16).
- Poser la roue comme illustrée sur la figure 17 et déplacer le sabot du détalonneur près du bord de la jante.



FR



IMPORTANT : Pendant le détalonnage, il est recommandé de fermer le plateau (blocage intérieur vers le centre).

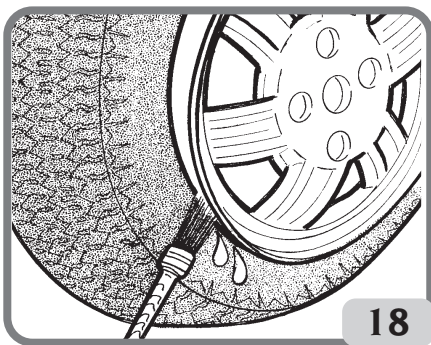


- appuyer sur la pédale (Fig.17) pour faire fonctionner le détalonneur et détaché le talon.

- Répéter cette opération de l'autre côté du pneu.

- Après avoir détaché le talon, retirer les vieux poids d'équilibrage.

- Lubrifier généreusement les côtés du pneu sur toute la circonférence et du bas et du haut du talon (Fig.18).



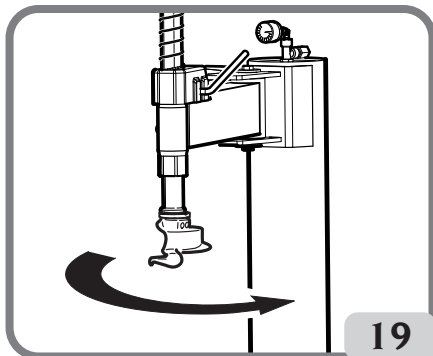
8.4. BLOCAGE DE LA ROUE

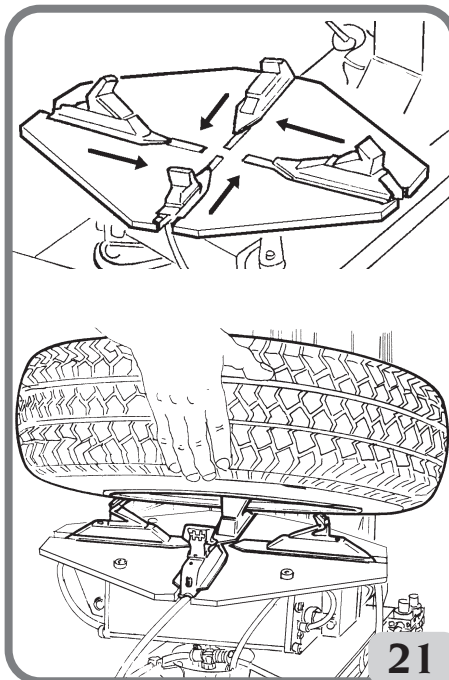
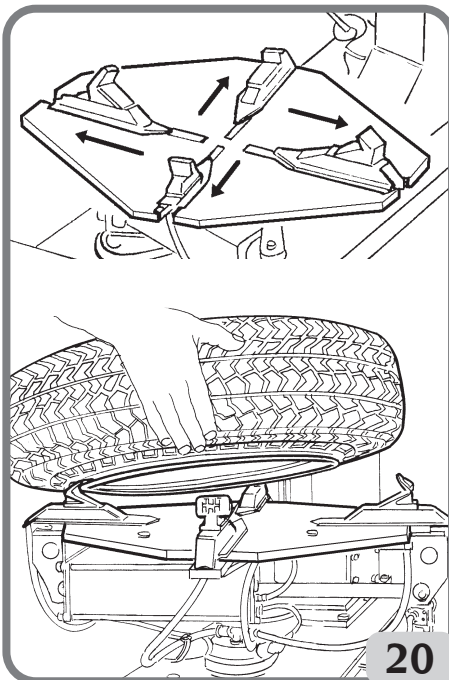
- Déplacer manuellement la tête de fixation du bras sur le côté, à l'extérieur de la position de travail (Fig. 19).

- Placer la roue sur le plateau à mors coulissant avec le côté étroit de la base creuse de la jante vers le haut (les pneus doivent être enlevés et remontés seulement du côté étroit).



- Appuyer sur la pédale (Fig. 19) pour amener






les mors coulissants à l'extérieur de la table (Fig.20) si vous souhaitez poser la jante à l'extérieur, comme illustré sur la figure 18 (recommandé pour les jantes en alliage)



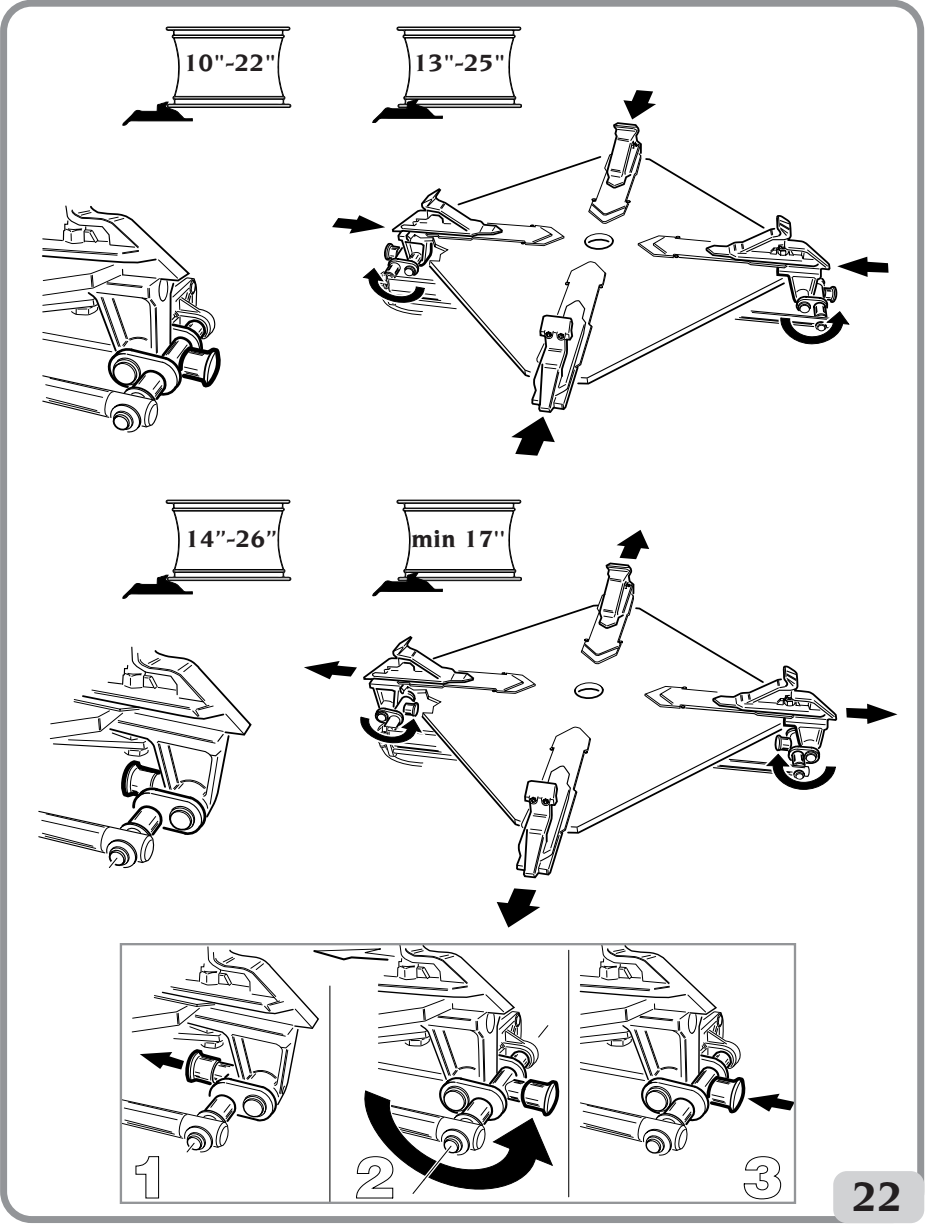
- alternativement, maintenir la pédale  enfoncée pour amener les mors coulissants vers le centre de la table (Fig.19) si vous souhaitez serrer la jante de l'intérieur (Fig.21).



- Appuyer sur la pédale  pour agripper la jante avec les mors coulissante.

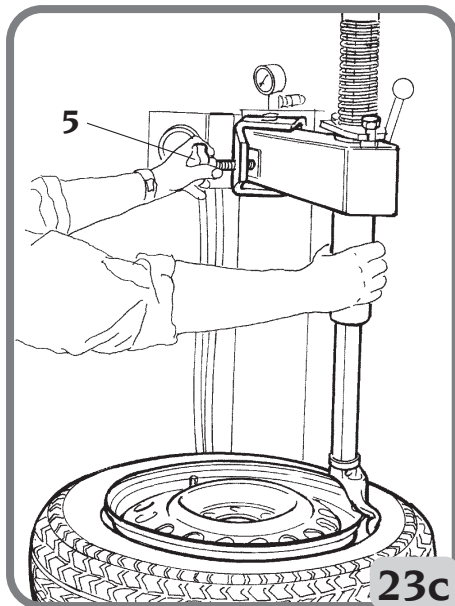
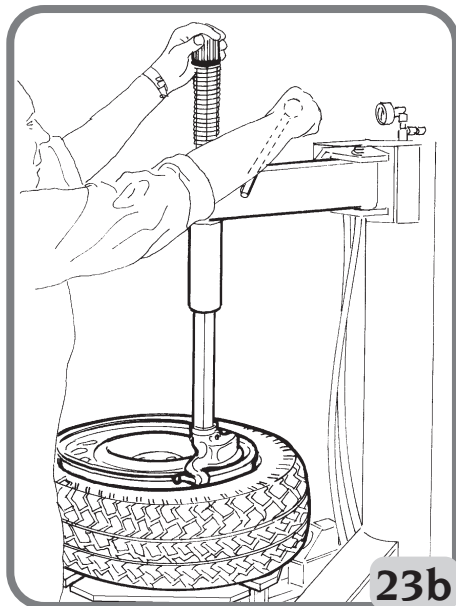
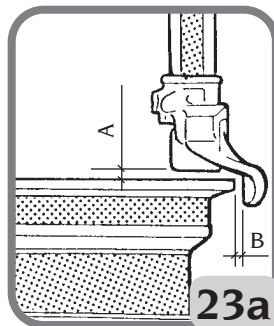
- voir la figure 22 pour régler la capacité de serrage de la table tournante.





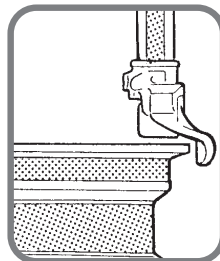
8.5. DÉMONTAGE DE LA ROUE

- Positionner la tête de montage / démontage contre le rebord de la jante (Fig.23a).
- Bloquer le mouvement vertical de la tête avec le levier (Fig.23b).
- Tourner le bouton de pivot (5) afin d'ajuster la tête de montage / démontage, comme illustrée dans la figure 23c.

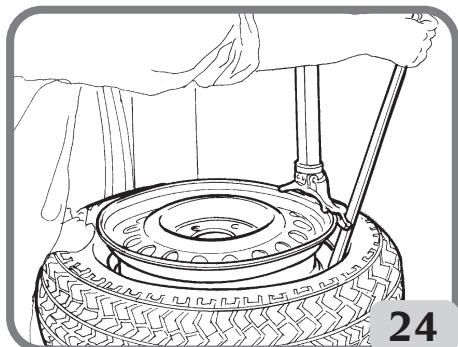


AVIS

La distance A est créée automatiquement quand le levier est actionné ; la distance B peut être ajustée avec le bouton.

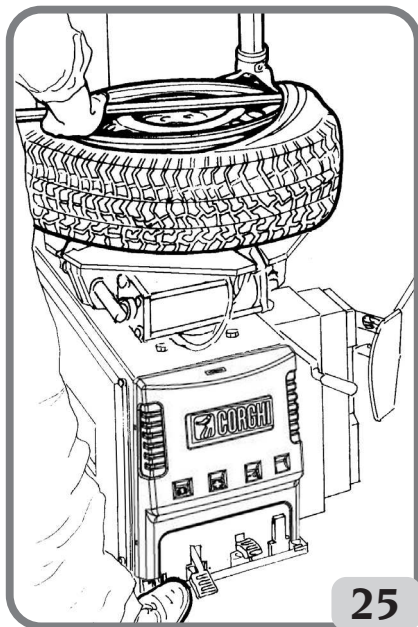


- Aider une partie du talon supérieur à entrer dans la base creuse de la jante en appuyant



sur le flanc opposé à la tête de montage /
démontage (Fig.24).

- Insérer et positionner le levier détalonneur sur la tête de montage / démontage (Fig.24).
- Soulever le talon supérieur du pneu par-dessus une partie du bouton de la tête de montage / démontage (Fig.25)

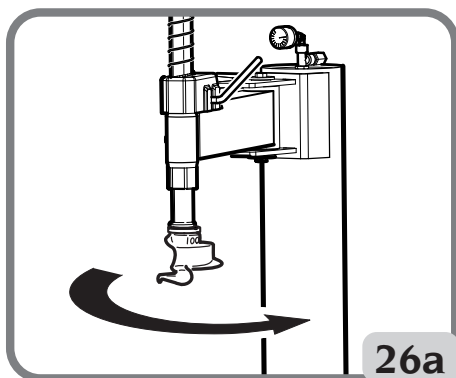
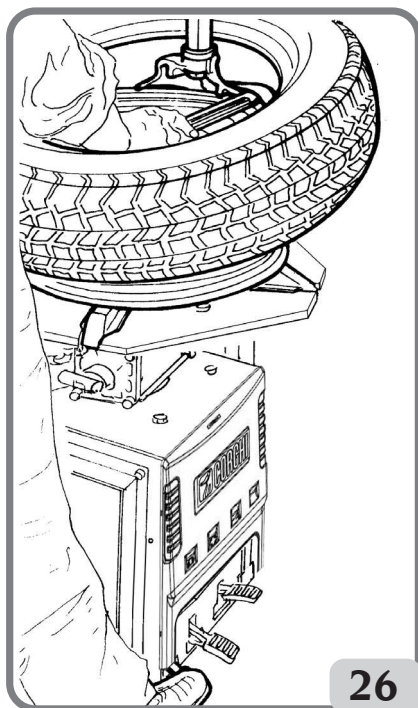


- Appuyer sur la pédale de la table pivotante



pour la faire tourner dans le sens horaire. Le talon supérieur est automatiquement guidé en haut et par-dessus le rebord de la jante.

- Répéter la procédure pour le talon inférieur (Fig. 26).
- Dégager le bras et enlever le pneu Fig. 26a.



AVIS

Si le pneu contient une chambre à air, après avoir démonté le talon supérieur, dégager le bras oscillant et retirer la chambre avant de démonter le talon inférieur.

8.6. MONTAGE DE LA ROUE

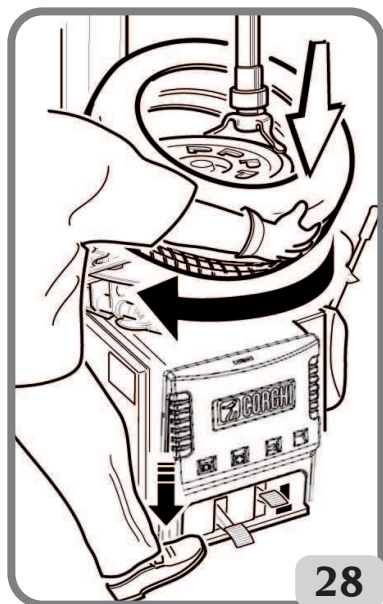
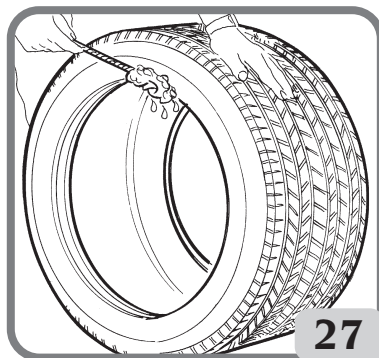
DANGER

DANGER D'EXPLOSION Toujours vérifier que la combinaison pneu / jante est correcte en termes de compatibilité (pneu à chambre incorporée sur jante tubeless, pneu avec chambre à air sur jante avec chambre à air) et la taille géométrique (diamètre saisi, la largeur de section, décalage et le profil de l'épaulement) avant de monter.


ÉVITER LES BLESSURES OU LA MORT.

Vérifier également que les jantes ne sont pas déformées, que les trous de fixation ne sont pas devenus ovales, qui ne sont pas souillés ou rouillés et qu'ils n'ont pas de bavures sur les trous de la valve. S'assurer que le pneu est dans un bon état et sans aucun signe de dommage.

- Graisser généreusement les deux talons en utilisant de la graisse pour caoutchouc agréée par le fabricant du pneu (Fig.27). Les talons lubrifiés nécessitent beaucoup moins de force pour le montage / collage et sont protégés contre tout dommage de torsion.



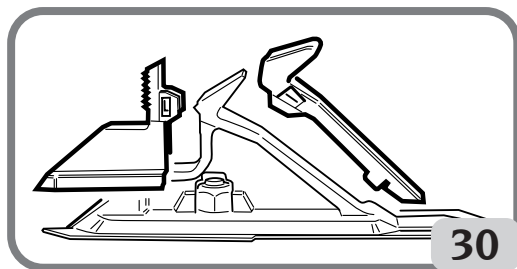
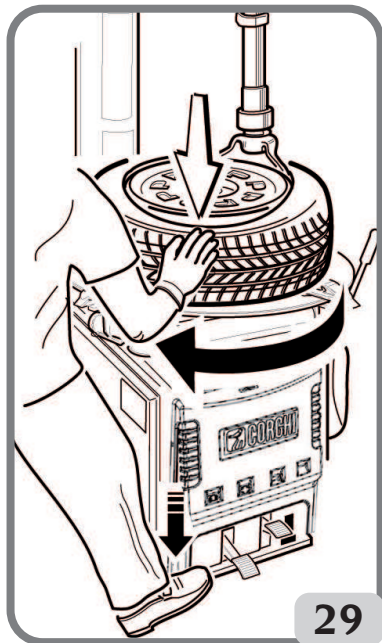
- Poser le pneu sur la jante et amener le bras oscillant en position de montage. Mettre le talon inférieur (selon l'illustration indiquée sur la figure 28) de façon à ce qu'il soit au-dessus de la portion arrière de la tête de montage / démontage et au-dessous de sa portion avant.

- Appuyer sur la pédale du plateau  pour faire tourner le plateau dans le sens horaire puis monter le talon. Utiliser la base creuse de la jante en le poussant vers le bas sur la paroi latérale opposée à la tête (voir la figure 29) pour réduire la force de tension sur le

FR

bouffret lors de la rotation de la roue.

- Une fois le talon inférieur complètement monté, répéter les mêmes étapes pour le talon supérieur (Fig.29).
- Il est conseillé de bloquer les jantes en alliage d'aluminium, en utilisant le kit de protection des mors coulissants (Fig.30) de façon à éviter d'endommager la roue.
Il faut également utiliser le kit de protection pour le blocage extérieur des roues de 10".




8.7. APPROUVÉ UHP ET PROCÉDURE DE DÉMONTAGE ET DE MONTAGE DE PNEUS POUR ROULAGE À PLAT

Pour une description détaillée de la procédure de montage / démontage de pneus UHP et pneu pour roulage à plat, veuillez vous référer aux directives du manuel préparé par la WDK (Association de l'industrie du pneu de l'Allemagne).

8.8. GONFLAGE DU PNEU

8.8.a. Informations Sur La Sécurité

	<p style="text-align: center;"> DANGER</p> <ul style="list-style-type: none">• DANGER D'EXPLOSION• Ne pas dépasser la pression recommandée par le fabricant du pneu.• Il faut toujours faire correspondre les dimensions du pneu et de la jante.• Faire attention aux éventuelles déchirures du pneu.• En le gonflant, adopter une position en dehors du volume cylindrique vertical occupé par la roue.
--	---



DANGER

L'utilisation des appareils de gonflage branchés à des sources externes (ex: pistolets) est interdite.

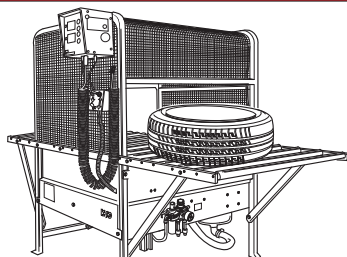
AVIS

Toujours se conformer aux règlements nationaux puisqu'ils pourraient être plus contraignants que ceux indiqués dans ce manuel, par principe une norme plus restrictive l'emporte sur la moins restrictive.



DANGER

Si les pneus montés exigent plus de pression que ce que le fabricant du pneu recommande pour fixer / asseoir le talon, la roue doit être retiré du démonte-pneu, et placé dans une cage de gonflage, et gonflé selon les instructions du fabricant.



S'assurer que les deux talons, supérieur et inférieur et le siège du talon de la jante ont été bien lubrifiés avec de la pâte de montage approuvée.

Des lunettes de sécurité avec des verres claires et des chaussures de sécurité doivent être portées.



AVERTISSEMENT

Ne pas bloquer la jante sur le plateau pivotant durant le gonflage.

Retirer l'obus de valve si ce n'est déjà fait.

Brancher le tuyau de gonflage au corps de valve

Appuyer légèrement sur la pédale pour gonfler le pneu et rendre étanche les talons.

Arrêter fréquemment pour vérifier la pression du collage du talon au manomètre.



AVERTISSEMENT

Éviter les blessures corporelles Lire attentivement, comprendre et respecter les consignes suivantes.

1. Des pneus surgonflés pourraient exploser, projetant ainsi des fragments dangereux qui pourraient causer un accident.
2. Les pneus et jantes qui n'ont pas le même diamètre sont « dépareillés ». Ne jamais monter

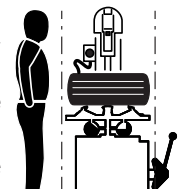
ou gonfler un pneu et une jante dépareillés. Par exemple, ne jamais monter un pneu de 16 po sur une jante de 16,5 po (ou vice et versa). Ceci est très dangereux. Un pneu et une jante dépareillés peuvent exploser et causer un accident.

3. Ne jamais dépasser la pression recommandée (mesurer avec le manomètre sur le tuyau flexible) fournie par le fabricant de pneus, comme indiqué sur le flanc du pneu.

4. Ne jamais exposer votre tête ou toute autre partie du corps au-dessus d'un pneu pendant le gonflage ou le collage du talon.

Cette machine n'est pas faite pour protéger contre l'explosion de pneus, de chambres à air ou des jantes.

5. Toujours rester à l'écart du démonte-pneu lors du gonflage, ne jamais se pencher dessus.



AVERTISSEMENT



Pendant cette opération, le niveau de bruit estimé peut atteindre 85 dB(A).
Porter des protecteurs auditifs.



DANGER

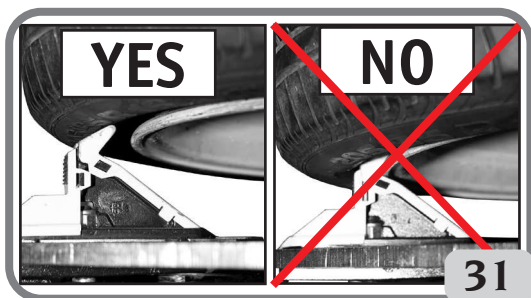
DANGER D'EXPLOSION Un pneu monté sur une jante qui explose peut être propulsé vers le haut et l'extérieur avec suffisamment de force pour pourrait causer des blessures graves ou voire la mort

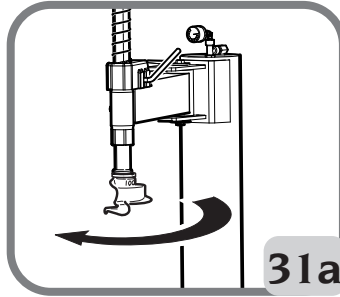
Ne pas monter un pneu à moins que la taille du pneu (moulé sur le flanc) corresponde exactement à la taille de la jante (gravé sur la jante) ou si la jante ou le pneu est défectueux ou endommagé.

Ce démonte-pneu n'est pas un dispositif de sécurité et n'empêchera pas les pneus et les jantes d'exploser. S'assurer qu'il n'y a personne dans l'aire de travail.

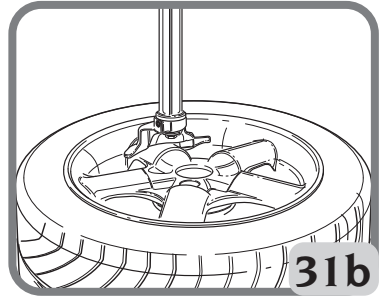
8.8.B. Gonflage de pneus

- Relâcher les mors coulissants du plateau retenant la roue (Fig. 31).
- Amener le bras horizontal dans sa position de travail (Fig. 31a).
- Baisser le bras vertical jusqu'à ce qu'il soit en contact avec la jante (Fig. 31b).
- Verrouiller le bras vertical dans cette position.
- Enlever l'obus de valve et brancher le connecteur Doyfe du tuyau de gonflage au corps de valve (Fig. 31c).





31a

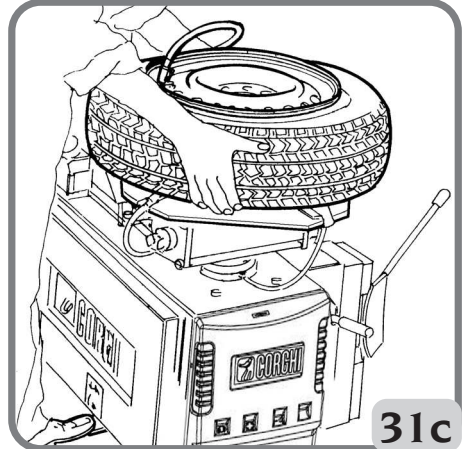


31b

- Gonfler le pneu en utilisant la bonne pédale (Fig. 32) par à coup; vérifier le manomètre fréquemment pour s'assurer que la pression ne dépasse jamais la pression maximale indiquée par le fabricant de pneus.

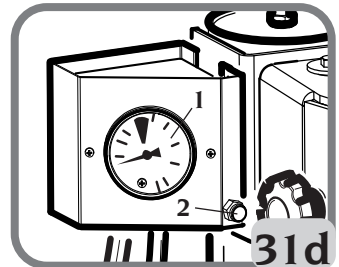
Au besoin :

- Continuer de gonfler jusqu'à la valeur maximale de 3,5 bars afin de bien positionner le pneu sur la jante. Éviter les distractions lors de cette opération, et vérifier régulièrement la pression des pneus sur le manomètre (1, Fig. 31d) pour éviter de surgonfler. Gonfler des pneus à chambre incorporée nécessite un débit d'air plus important pour permettre aux talons de contourner les épaulements de la jante - voir les modèles de profil de jante pour un montage sans une caméra dans la figure 31e.



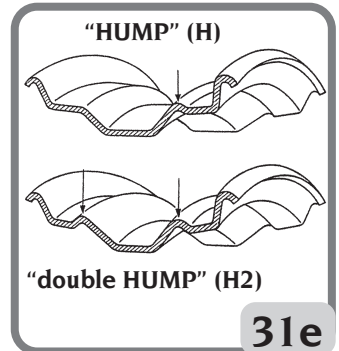
31c

- De la position des nervures de centrage vérifier que les talons sont bien positionnés sur la jante, sinon, dégonfler le pneu, décoller les talons comme décrits dans la section pertinente, lubrifier et tourner le pneu sur la jante. Répéter l'opération de montage décrite ci-dessus et vérifier de nouveau



31d

- Remplacer l'obus de valve.
- Gonfler jusqu'à la pression recommandée en appuyant sur le bouton-poussoir de gonflage (2, Fig. 31d).
- Poser le bouchon de valve



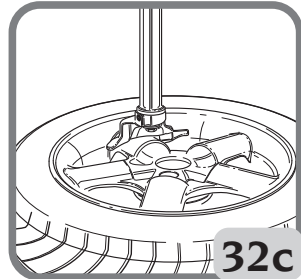
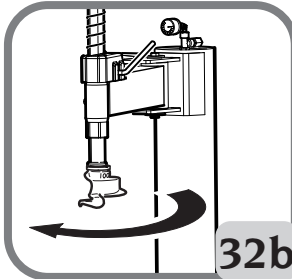
31e

FR

8.8.c. Gonflage de pneus à chambre incorporée

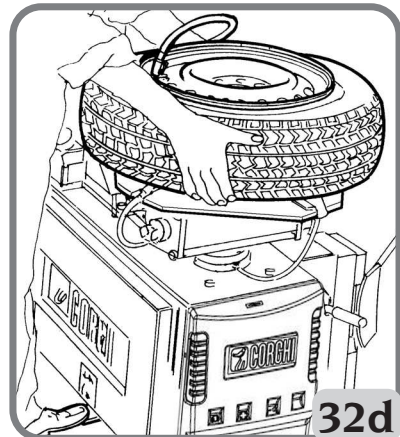
AVERTISSEMENT

Avant d'effectuer les opérations décrites ci-dessous, toujours s'assurer qu'il n'y a pas de saleté, de poussière ou d'autres impuretés sur les mâchoires près des trous de sortie d'air.

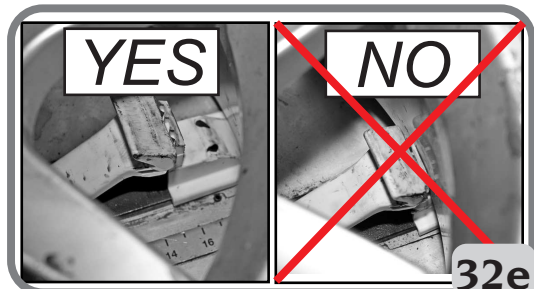


- S'assurer que la roue est fixée au plateau avec les mors à l'intérieur (fig. 32a).
- Amener le bras horizontal dans sa position de travail (Fig. 32b).
- Baisser le bras vertical jusqu'à ce qu'il soit en contact avec la jante (Fig. 32c).

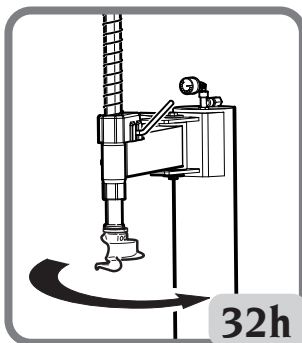
- Verrouiller le bras vertical dans cette position.
- Enlever l'obus de valve et brancher le connecteur Doyfe du tuyau de gonflage au corps de valve (Fig. 32d).
- Tenir le pneu avec vos mains et soulever jusqu'à il y a un léger écart entre le talon inférieur et le rebord inférieur de la jante afin de fermer le talon supérieur et le haut de la jante (Fig.32d).



- Appuyer à fond sur la pédale de gonflage pour une courte période de temps pour caler le talon (Fig.32f). Le pneu gonfle et les talons se caleront..
- Relâcher les mors coulissants du plateau retenant la roue (Fig. 32e).



- Gonfler le pneu en utilisant la bonne pédale (Fig. 32d) en mode de gonflage (moyen) (Fig. 32d) par à coup; vérifier le manomètre fréquemment pour s'assurer que la pression ne dépasse JAMAIS la pression maximale indiquée par le fabricant de pneus.



- Dégager le bras oscillant à sa position de repos et enlever le pneu (Fig. 32h).

AVIS

Pour accroître l'efficacité des jets de gonflage, lubrifier toujours généreusement les talons et soulever le talon inférieur tout en activant des jets de gonflage.

AVIS

Pour améliorer le fonctionnement du système de gonflage de pneu à chambre incorporée, la pression de la conduite d'air comprimé doit être comprise entre 8 et 10 bars.

Appuyer sur la pédale pour gonfler le pneu et rendre étanche les talons. Arrêter fréquemment pour vérifier la pression du collage du talon au manomètre.



AVERTISSEMENT

DANGER D'EXPLOSION. Ne pas dépasser la pression maximale indiquée par le fabricant de pneus sur le flanc pendant le collage des talons.
Si les pneus montés exigent plus de pression que ce que le fabricant du pneu recommande pour fixer / asseoir le talon, la roue doit être retiré du démonte-pneu, et placé dans une cage de gonflage, et gonflé selon les instructions du fabricant.

FR

Réinstaller le corps de valve après que les talons soient calés, et gonfler le pneu à la pression recommandée par le fabricant du véhicule.



AVERTISSEMENT

Activer le gonflage par jet que pour caler le talon. Ne pas diriger les jets d'air vers une personne.

Purger l'air du système avant de débrancher le tuyau d'air ou des autres composantes pneumatiques. L'air est stocké dans un réservoir pour le gonflage par jets.



AVERTISSEMENT

Activer les jets de gonflage seulement si le dispositif de fixation de la jante est en place et que le pneu est correctement agrippé.



AVERTISSEMENT

DANGER D'EXPLOSION. Ne jamais monter un pneu sur une jante qui n'est pas du même diamètre (par exemple, pneu de 16,5 po monté sur une jante de 16 po).

Si le pneu est surgonflé, le pneu peut être dégonflé en appuyant sur le bouton de relâche d'air manuel en laiton situé en dessous du manomètre. Déconnecter le tuyau de gonflage du corps de valve

9. DÉPANNAGE

PROBLÈME	CAUSES PROBABLES	SOLUTIONS
Quand la pédale de rotation du plateau est appuyée, les fusibles sautent.	<input type="checkbox"/> Cordon d'alimentation en court-circuit. <input type="checkbox"/> Moteur en court-circuit.	<input type="checkbox"/> Contrôler les câbles. <input type="checkbox"/> Remplacer les fusibles <input type="checkbox"/> Remplacer le moteur.
La pédale du plateau ne revient pas à sa position de repos (centre).	<input type="checkbox"/> Ressort de commande cassé	<input type="checkbox"/> Remplacer le ressort de commande
Les pédales du détaillonneur et du plateau ne reviennent pas à leurs positions de repos.	<input type="checkbox"/> Ressort de rappel de la pédale cassé <input type="checkbox"/> Graisseur vide.	<input type="checkbox"/> Remplacer le ressort de rappel de la pédale. <input type="checkbox"/> Remplir l'embout de graissage avec de l'huile SAE 20 non détergente.
Fuite d'air à l'intérieur de la machine (ouvrir le capot des pédales et trouver la source de la fuite).	<input type="checkbox"/> Fuite d'air sur la vanne du détaillonneur. <input type="checkbox"/> Fuite d'air sur la vanne du plateau.	<input type="checkbox"/> Remplacer la vanne. <input type="checkbox"/> Remplacer le cylindre du détaillonneur. <input type="checkbox"/> Remplacer le cylindre du plateau. <input type="checkbox"/> Remplacer le connecteur du bras oscillant.

PROBLÈME	CAUSES PROBABLES	SOLUTIONS
Le cylindre du détalonneur n'a pas de force. Il ne décolle pas le talon et a une fuite d'air.	<input type="checkbox"/> Silencieux bouché. <input type="checkbox"/> Joints du cylindre usés.	<input type="checkbox"/> Remplacer les joints. <input type="checkbox"/> Remplacer le cylindre du détalonneur. <input type="checkbox"/> Remplacer le silencieux.
Fuite d'air sur le tourillon du cylindre du détalonneur.	<input type="checkbox"/> Joints usés.	<input type="checkbox"/> Remplacer les joints. <input type="checkbox"/> Remplacer le cylindre du détalonneur.
Le plateau ne tourne pas dans un sens	<input type="checkbox"/> Commutateur d'inversion cassé	<input type="checkbox"/> Remplacer le commutateur d'inversion.
Le plateau ne tourne pas dans aucun sens	<input type="checkbox"/> Commutateur d'inversion cassé. <input type="checkbox"/> Courroie cassée. <input type="checkbox"/> Moto réducteur bloqué. <input type="checkbox"/> Fusible grillé.	<input type="checkbox"/> Remplacer le commutateur d'inversion. <input type="checkbox"/> Remplacer la courroie. <input type="checkbox"/> Remplacer le moto réducteur <input type="checkbox"/> Remplacer le fusible.
Le plateau effectue 1/3 de tour et s'arrête.	<input type="checkbox"/> Moto réducteur grippé.	<input type="checkbox"/> Remplacer le moto réducteur
Les mors ne bloquent pas la jante	<input type="checkbox"/> Cylindre du plateau défectueux. <input type="checkbox"/> Pointes des mors coulissantes usées.	<input type="checkbox"/> Remplacer le cylindre du plateau. <input type="checkbox"/> Remplacer les mors coulissantes.
Le plateau démonte ou monte les pneus difficilement.	<input type="checkbox"/> Tension insuffisante de la courroie.	<input type="checkbox"/> Tendre la courroie ou la remplacer.
La tour s'éloigne trop ou pas assez de la jante.	<input type="checkbox"/> Plateau de blocage déréglé.	<input type="checkbox"/> Régler le plateau.
La jante bloque de l'intérieur ou de l'extérieur.	<input type="checkbox"/> Un corps étranger bloque le mécanisme.	<input type="checkbox"/> Enlever le corps étranger.
L'aiguille du manomètre ne retourne pas sur « 0 »	<input type="checkbox"/> Manomètre défectueux. <input type="checkbox"/> Manomètre endommagé par des chocs	<input type="checkbox"/> Remplacer le manomètre.



AVERTISSEMENT

Éviter les blessures ou la mort.

La liste de "pièces de rechange" n'autorise pas l'utilisateur à effectuer des travaux sur la machine autre que les opérations spécifiquement décrites dans le manuel d'utilisation, et est uniquement destinée à permettre à l'utilisateur de fournir le service d'assistance technique avec des informations précises afin de minimiser les temps de réponse.

10. ENTRETIEN



AVERTISSEMENT

Toute opération visant à modifier la valeur de réglage du détendeur de pression ou de la limite de pression est interdite. Le fabricant décline toute responsabilité pour les dommages résultant de l'altération de ces clapets.



AVERTISSEMENT



Avant de régler ou de faire l'entretien la machine, débrancher l'alimentation électrique et en air comprimé et s'assurer que toutes les pièces mobiles sont convenablement bloquées.



AVERTISSEMENT



Ne pas retirer ou modifier tout ou une partie de cette machine (seul le personnel d'assistance technique est autorisé à le faire).



AVERTISSEMENT



Lorsque la machine est débranchée, la conduite d'alimentation en air comprimé, les dispositifs portant le signe ci-dessus peuvent rester sous pression.



AVERTISSEMENT

Avant de faire l'entretien ou le remplissage de lubrifiant, débrancher le circuit d'air comprimé de la machine.

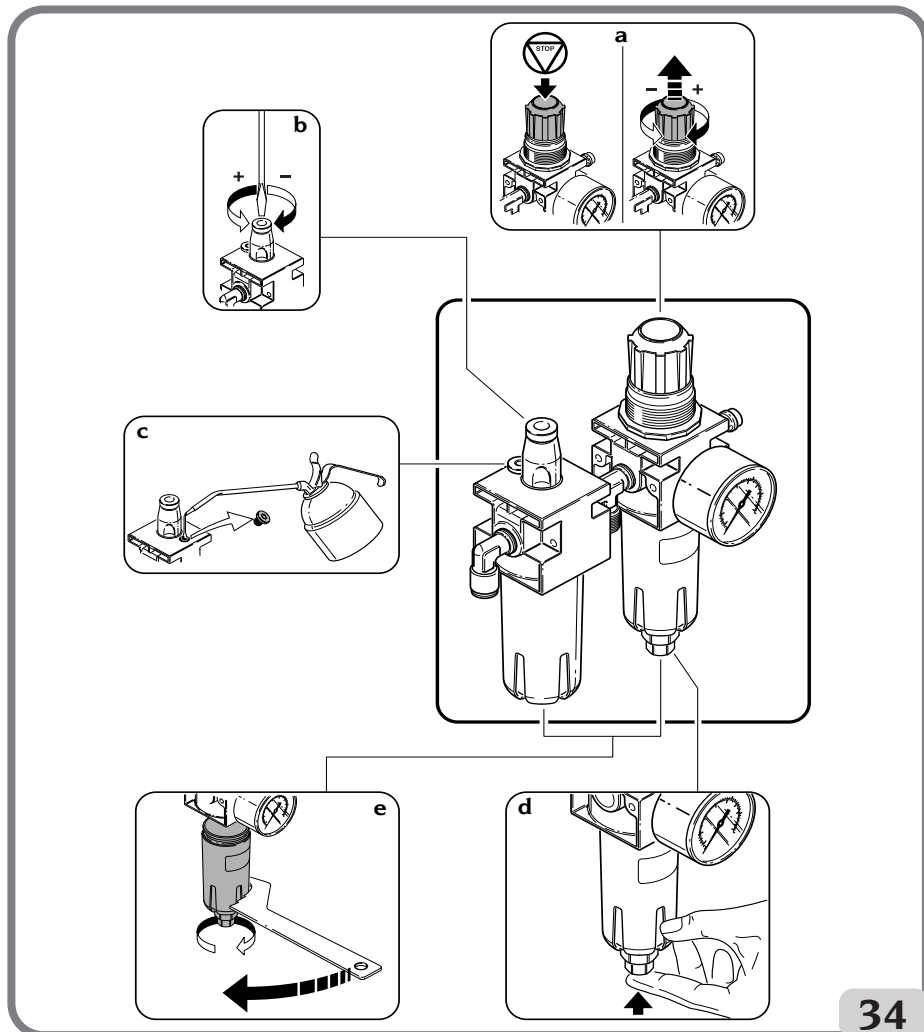
Le groupe filtre régulateur plus graisseur « FRL » a pour fonction de filtrer l'air, régler sa pression et le lubrifier.

Le groupe « FRL » supporte une pression maximum d'entrée de 18 bars et a une plage de réglage entre 0,5 bars et 10 bars. Le réglage peut être modifié en tirant sur la manette et en la tournant. À la fin du réglage, remettre la manette à sa position de blocage en poussant dessus (Fig.34a). Le débit du lubrifiant se règle en tournant la vis sur l'élément « L », (Fig.34b), normalement le groupe est préréglé à la pression de 10 bars, avec un lubrifiant à viscosité SAE20, de façon à obtenir la sortie d'une goutte de lubrifiant, visible par la calotte, tous les 4 actionnements du détalonneur

Contrôler périodiquement le niveau du lubrifiant en regardant les fenêtres prévues et remplir comme dans la figure 34c Rajouter uniquement de l'huile non détergente SAE20 pour 50cc.

Le filtre régulateur « FR » est doté d'un système automatique pour l'évacuation de la vapeur d'eau condensée, donc dans des conditions d'utilisation normales aucun entretien n'est nécessaire. À tout moment il est possible d'effectuer la vidange manuellement (Fig.34d).

Normalement on ne doit pas démonter les bacs, mais au besoin, pour des opérations d'entretien, après de longues périodes d'utilisation Si une opération manuelle n'est pas suffisante, se servir de la clé fournie (Fig.34e) Nettoyer avec un chiffon sec. Éviter le contact avec des solvants.



FR

AVIS

Garder la zone de travail propre.

Ne jamais nettoyer la machine avec de l'air comprimé, des jets d'eau ou des solvants pour enlever la saleté et les tâches, Lors du nettoyage de la zone, autant que possible prendre des mesures pour éviter de soulever de la poussière.


11. INFORMATION POUR DISPOSER LES REBUTS

Si la machine doit être envoyée aux rebuts, enlever toutes les pièces électriques, électroniques, plastiques et mécaniques, les disposer séparément, selon les réglementations locales en vigueur.

12. INFORMATION CONCERNANT L'ENVIRONNEMENT

La procédure d'élimination suivante doit être appliquée uniquement aux équipements dont la



plaque des données affiche le symbole de la poubelle barrée 

Ce produit peut contenir des substances nocives qui peuvent représenter un danger pour l'environnement et la santé de l'être humain en cas d'élimination impropre.

Nous vous fournissons donc les consignes à respecter pour éviter que ces substances puissent être répandues dans la nature et pour améliorer l'usage des ressources naturelles.

Les appareils électriques et électroniques ne doivent jamais être disposés avec les ordures ménagères, mais être acheminés dans un centre de tri sélectif qui se chargera de leur traitement. Le symbole de la poubelle barrée apposé sur le produit et illustré sur cette page, rappelle à l'utilisateur que le produit doit être éliminé de façon appropriée au terme de sa vie.

Cela empêche l'élimination inappropriée des substances que ce produit contient ou qu'un traitement incorrect d'une partie de celle-ci puisse avoir des graves conséquences sur l'environnement et la santé de l'homme. En outre, cela permet de participer à la récupération, au recyclage et à la réutilisation de la plupart des matériaux dont il est composé.

Dans cette optique, les fabricants et les distributeurs d'appareils électriques et électroniques organisent des systèmes de récolte et de traitement desdits appareils.

Au terme de la vie de votre produit, adressez-vous à votre distributeur qui vous fournira tout renseignement sur les modalités de collecte.

Lors de l'achat de ce nouveau produit, votre distributeur vous informera également de la possibilité de retourner gratuitement un appareil périmé de même type servant au même fonction.

Toute personne disposant du produit d'une manière non conforme aux consignes ci-dessus est passible de sanctions prévues par la réglementation du pays où le produit est mis aux rebuts.

Nous vous invitons en outre à adopter d'autres mesures de protection de l'environnement notamment, recycler les emballages intérieurs et extérieurs et éliminer les piles correctement (seulement si le produit en contient).

Avec votre aide, il sera possible de réduire la quantité de ressources naturelles nécessaires à la fabrication des appareils électriques et électroniques, de réduire l'usage de décharges pour éliminer les produits et d'améliorer la qualité de la vie en évitant que les substances potentiellement dangereuses ne souillent la nature .

13. INFORMATION ET AVERTISSEMENTS SUR LE FLUIDE HYDRAULIQUE

Mise au rebut de fluide utilisé

Ne pas jeter l'huile usée dans les égouts, les collecteurs d'eaux pluviales, les rivières ou les ruisseaux; la recueillir et consigner à une entreprise de collecte autorisée.

Fuite ou déversement de fluide

Contenir le produit déversé de se propager en utilisant de la terre, du sable ou tout autre matériel absorbant. La zone contaminée doit être dégraissée avec du solvant, en prenant soin de ne pas permettre aux vapeurs de se former ou de stagner, et le matériel résiduel provenant du processus de nettoyage devrait être éliminé comme prévu par la loi.

Précautions à prendre pour l'utilisation de fluide hydraulique

- Éviter tout contact avec la peau.
- Éviter la formation ou la diffusion de brouillards d'huile dans l'atmosphère.
- Les précautions de santé élémentaires suivantes doivent donc être adoptées :
 - éviter toute éclaboussure (vêtements appropriés, boucliers de protection sur les machines) ;
 - se laver fréquemment avec de l'eau et du savon, ne pas utiliser de produits de nettoyage ou de solvants qui pourraient irriter la peau ou éliminer l'huile protectrice naturelle de la peau ;
 - ne pas sécher les mains à l'aide de chiffons sales ou graisseux ;
 - changer de vêtements si imbibés et, dans tous les cas, à la fin du quart de travail;
 - ne pas fumer ou manger avec des mains graisseuses.
- Utiliser les équipements de prévention et de protection suivants :
 - gants résistant aux huiles minérales avec doublure en peluche ;
 - lunettes de protection, en cas de projections ;
 - tabliers résistants aux huiles minérale ;
 - boucliers de protection, en cas de projections.

Huile minérale : mesures de premiers secours

- Ingestion : aller aux urgences avec les caractéristiques du type d'huile ingérer.
- Inhalation : en cas d'exposition à une forte concentration de vapeurs ou de brouillards, amener la personne affectée dehors, à l'air libre, puis aux urgences.
- Yeux : rincer abondamment avec de l'eau et se rendre aux urgences dès que possible.
- Peau : laver avec du savon et de l'eau.



14. MOYENS DE LUTTE CONTRE L'INCENDIE

Pour obtenir des conseils sur le type d'extincteur le plus approprié, se référer au tableau ci-dessous :

	Matériaux secs	Liquides inflammables	Équipement électrique
Eau	OUI	NON	NON
Mousse	OUI	OUI	NON
Poudre	OUI*	OUI	OUI
CO2	OUI*	OUI	OUI

OUI* à utiliser que si des extincteurs plus appropriés ne sont pas disponibles ou pour de petit feu.



AVERTISSEMENT

Les indications données dans ce tableau sont de nature générale et doivent être utilisées comme un guide général. L'usage de chaque type d'extincteur doit être obtenu auprès du fabricant concerné.

15. GLOSSAIRE

Pneu

Un pneu se compose de : I - du pneu, II - de la jante (roue), III - de la chambre à air (pour les pneus à chambre à air, IV - air comprimé.

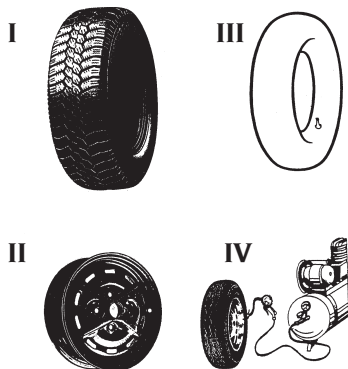
Le pneu doit :

- supporter une charge,
- assurer une puissance d'entraînement,
- tourner le véhicule,
- aider à la manœuvrabilité et au freinage,
- aider le système d'amortisseur du véhicule.

I – Pneu Le pneu est la partie principale de la roue, en contact avec la route, conçu pour retenir une pression d'air interne et à résister à toutes les autres contraintes découlant de l'utilisation.

Une section du pneu montre les diverses parties dont il se compose:

I - Bande de roulement. Il s'agit de la partie en contact avec le sol lorsque le pneu roule. Elle est faite d'une couche de gomme et est creusée de « sculptures » qui est approprié pour assurer une bonne résistance à l'abrasion et une bonne adhérence dans des conditions de chaussée sèche et humide, ainsi qu'un bruit de roulement faible.



2 - Retournement nappe carcasse. Il s'agit d'un tissu métallique ou insert en textile, dans la zone de la partie extérieure du bourrelet. Il protège les plis de l'enveloppe de frotter contre la jante.

3 - Carcasse. Il s'agit de la structure résistante et comporte une ou plusieurs couches de bande de caoutchouc. La manière dont la nappe est posée, donne le nom à la structure. Les structures suivantes sont possibles :

Classique : les nappes sont diagonales et disposées de façon à ce que les cordes composants la nappe chevauchent sur ceux de la nappe adjacente. La bande de roulement, qui est la partie du pneu en contact avec le sol, fait partie des flancs et pendant le roulage, la flexion du flanc est transmise à la bande de roulement.

Radiale : La carcasse est faite d'une ou plusieurs nappes armées de fil dans le sens radial. Une carcasse radiale en lui-même est assez instable. Pour la rendre plus stable et empêcher un mauvais déplacement circulation de bande de roulement dans la zone de contact avec le sol, la carcasse et la sous-chape sont renforcées par une structure annulaire, généralement appelée ceinture. La bande de roulement et le flanc opèrent à de différentes rigidités et indépendamment, donc pendant le roulage, la flexion latérale n'est pas transmise à la bande de roulement.

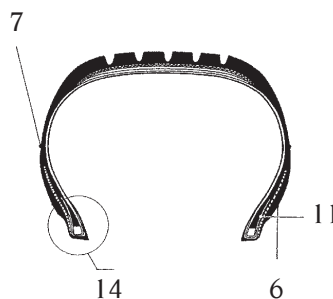
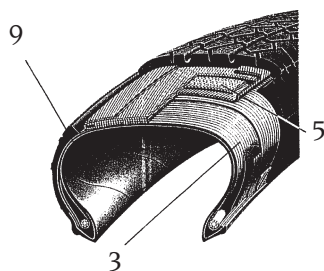
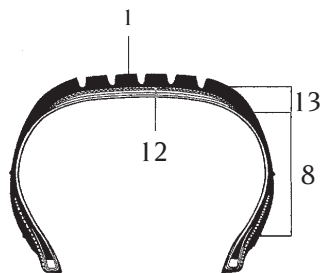
4 - Tringle. Il s'agit d'un anneau métallique fait avec plusieurs torons en acier. Les plis de la carcasse sont fixés à la tringle.

5 - Ceinture. Il s'agit d'une structure non flexible circonférentielle comprenant nappes croisées à de très faibles angles, positionnées en dessous de la bande de roulement, pour stabiliser la carcasse dans la zone de contact.

6 - Filet de centrage. Il s'agit d'un marquage qui indique la circonférence de la partie supérieure du talon et est utilisé comme référence pour vérifier le centrage exact du pneu sur la jante après montage.

7 - Zone basse. Il s'agit d'un marquage circonférentiel dans la région du flanc qui est plus exposé aux frottements accidentels.

8 - Flanc. Il s'agit de la zone située entre l'épaule et



le filet de centrage. Il se compose d'une couche plus ou moins mince de caoutchouc qui protège les nappes de la carcasse de choc latéral.

9 - Revêtement. Il s'agit d'une feuille composée vulcanisée, étanche à l'air, à l'intérieur des pneus à chambre intégrée.

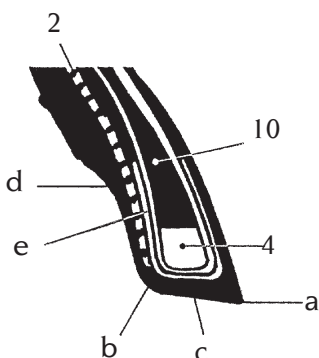
10 - Bourrage. Il s'agit généralement de gomme de forme triangulaire, par-dessus le flanc, il assure la rigidité du talon, et amenuise graduellement le décalage de l'épaisseur inégale provoquée par la tringle.

11 - Renfort. C'est la partie de la nappe carcasse autour de la tringle et placée contre la carcasse, pour fixer la nappe et l'empêcher de glisser.

12 - Sous-chape. Il s'agit de la couche interne de la bande de roulement en contact avec la ceinture, ou si ce dernier n'est pas présent (pneu classique) avec la dernière nappe de la carcasse.

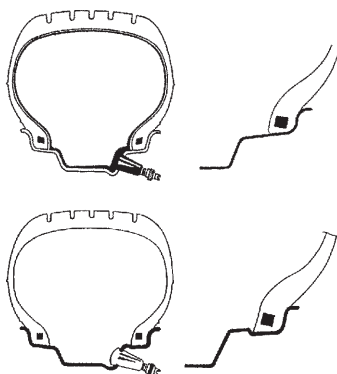
13 - Épaule. il s'agit de la partie extérieure de la bande de roulement, entre le coin et le début du flanc.

14 - Talon. il s'agit de la partie permettant le contact entre le pneu et la jante. Le point (a) du talon est le coin intérieur. L'ergot (b) est la partie extérieure du talon. La base (c) est la surface en appui contre la jante. La rainure (d) est la partie concave contre laquelle l'épaulement de la jante s'appuie.



Pneus à chambre air. Puisqu'un pneu doit retenir de l'air sous pression pour un temps assez long, une chambre à air est utilisée. La valve pour ajouter, retenir, contrôler et restituer fait partie de la chambre, dans ce cas.

Pneus à chambre incorporée. Les pneus à chambre incorporée sont composés d'un pneu avec une paroi intérieure doublée d'une fine couche de gomme spéciale imperméable, appelé revêtement. Ce revêtement permet de garder la pression dans la carcasse. Ce type de pneu doit être monté sur une jante spécifique, sur laquelle la valve est directement fixée.

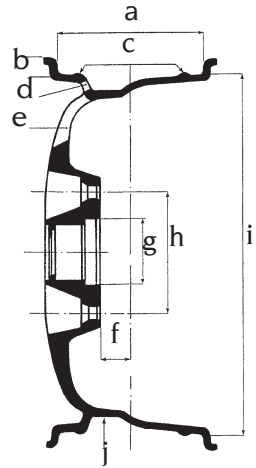


II - Jante (Roue). La roue est la partie métallique rigide qui relie les moyeux du véhicule aux pneus, sur une base fixe, mais non permanente.

Profil de la jante. Le profil de la jante est la forme de la section en contact avec le pneu. Il comprend des formes géométriques différentes, qui assurent : un montage de pneu facile (insertion du talon dans l'épaulement de la jante); une conduite sans danger, en termes de talon calé dans son siège.

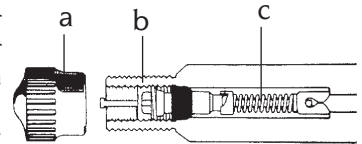
La coupe de la jante illustre ses différentes parties :

- a) largeur de la jante
- b) hauteur de l'épaulement - collage de pneu à la chambre incorporée (ÉPAULEMENT)
- d) ouverture pour la valve - e) ouverture pour la ventilation - f) décalage - g) diamètre de l'ouverture centrale
- h) trou de fixation de centre à centre i) diamètre de bord de jante - gorge



III - Chambre à air (pneu à chambre à air). La chambre à air est une structure en caoutchouc en forme d'anneau avec la valve, qui retient l'air sous pression.

Valve. La valve est un dispositif mécanique pour gonfler / dégonfler le pneu et contenir la pression d'air dans la chambre à air (ou pneu dans le cas de pneus à chambre à incorporée). Il est composé de trois parties: le capuchon (a) (pour protéger le mécanisme interne de la poussière et pour garantir l'étanchéité à l'air), l'obus de valve (b) et le corps (c) (la partie externe).



Gonfleur pour pneus à chambre incorporée.

Système de gonflage qui facilite le gonflage de pneu à chambre incorporée

Collage. Une opération qui a lieu pendant le gonflage et assure un centrage parfait entre le talon et le rebord de la jante.

Outil pour rentrer le talon. Un outil destiné à être utilisé lors du montage du talon supérieur. Il est fait de sorte qu'il saisisse l'épaulement de la jante et maintient le talon supérieur du pneu à l'intérieur de la jante. Il est généralement utilisé pour le montage de pneus à profil bas.

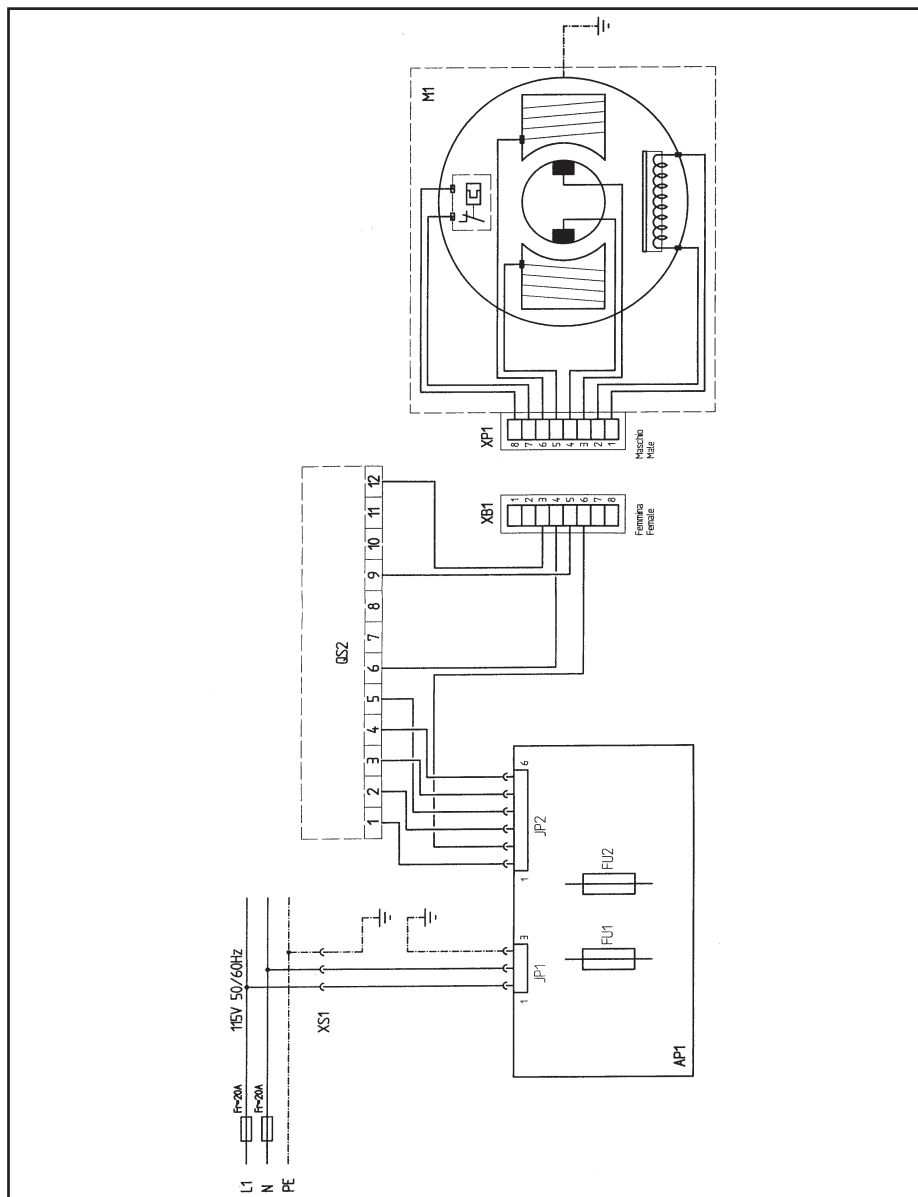
Dispositif de réglage de débit d'air. Raccord permettant de régler le débit d'air.

Détalonnage. Opération qui permet de détacher le talon du pneu du rebord de la jante.



16. SCHÉMA D'INTERCONNEXION ÉLECTRIQUE, GÉNÉRAL

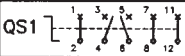
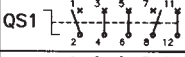

Démonte-pneu 115 V 1 Ph



AP1 Carte moteur
M1 Moteur

QS2 Interrupteur d'alimentation
XS1 Prise d'alimentation

Démonte-pneu 115 / 230 V I Ph

Postazione / Position	Situazione	Situation
A QS1	 <p>Pedale abbassato Rotazione antioraria del motore Rotazione oraria del piatto autocentrante</p>	<p>Pedal depressed Motor anti-clockwise rotation Turntable clockwise rotation</p>
B QS1	 <p>Pedale alzato Rotazione oraria del motore Rotazione antioraria del piatto autocentrante</p>	<p>Pedal lifted Motor clockwise rotation Turntable anti-clockwise rotation</p>
Neutral QS1	 <p>Pedale in posizione orizzontale Motore spento Piatto autocentrante fermo</p>	<p>Pedal in horizontal position Motor off Turntable still</p>

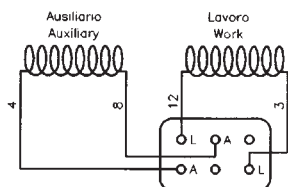
Solo versione CSA – CSA version only

115V 50-60Hz	220V 50-60Hz
C1=40uF 450V	C1=30uF 450V
R1 = 330K 1W	R1 = 330K 1W

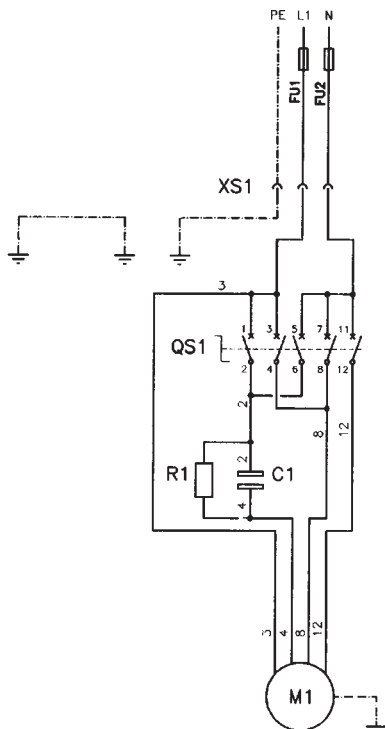
Versione standard – Standard version

115V 60Hz	220V 50-60Hz
C1=45uF 450V	C1=35uF 500V
R1 = 330K 1W	R1 = 330K 1W

FU1-FU2	
110V 50/60Hz	25A
220V 50/60Hz	20A



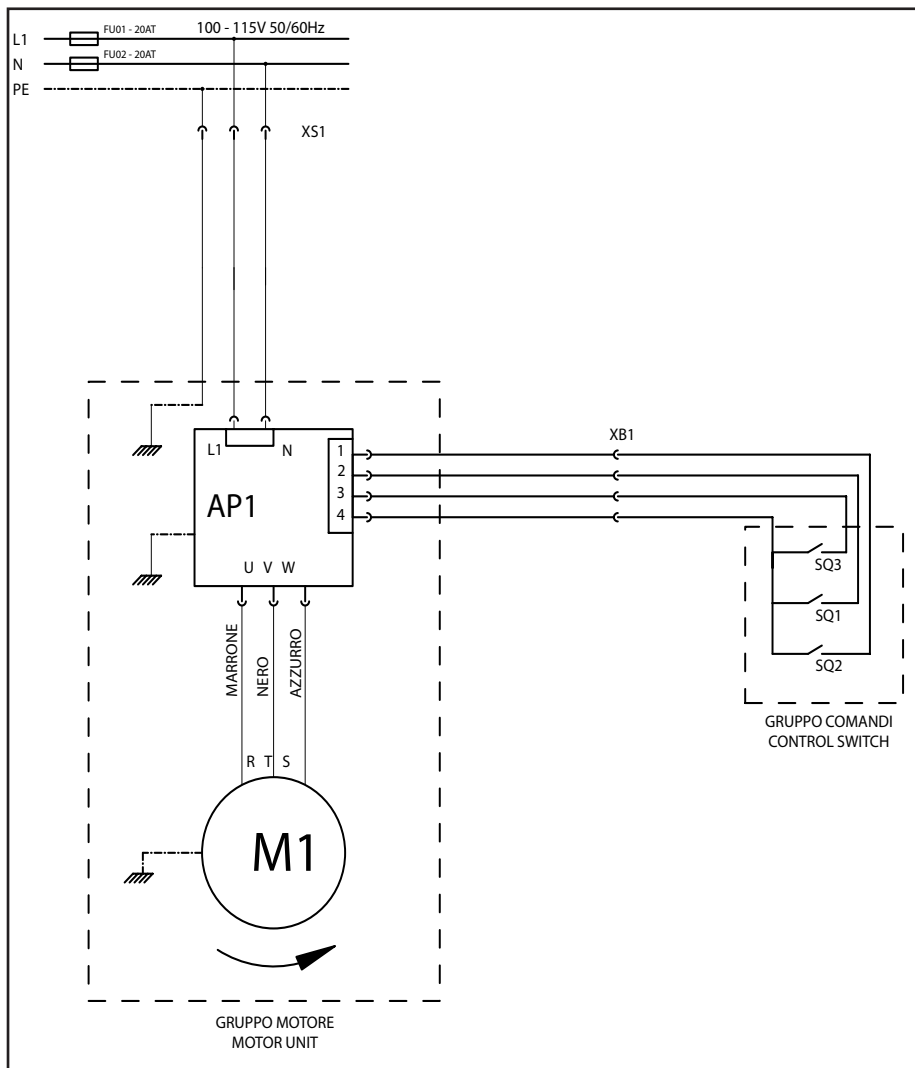
Schema cablaggio morsettiere
Wiring diagram terminal-blok



FR

- XS1 Prise d'alimentation
- QS1 Inverseur
- M1 Moteur
- C1 Condensateur
- R1 Résistance

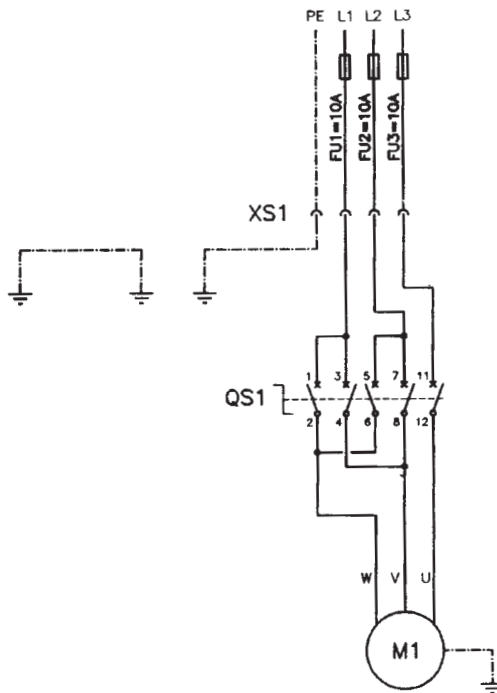
Démonte-pneu 100-115-200-230 V DV



- XS1 Prise d'alimentation
- AP1 Moteur à un / deux vitesses
- M1 Moteur
- SQ1 Microrupteur deux vitesses
- SQ2 Microrupteur (rotation SENS HORAIRE)
- SQ3 Microrupteur (rotation SENS ANTIHORAIRE)

Démonte-pneu 3Ph

Posizione / Position	Situazione	Situation
A QS1	Pedale abbassato Rotazione antioraria del motore Rotazione oraria del piatto autocentrante	Pedal depressed Motor anti-clockwise rotation Turntable clockwise rotation
B QS1	Pedale alzato Rotazione oraria del motore Rotazione antioraria del piatto autocentrante	Pedal lifted Motor clockwise rotation Turntable anti-clockwise rotation
Neutral QS1	Pedale in posizione orizzontale Motore spento Piatto autocentrante fermo	Pedal in horizontal position Motor off Turntable still

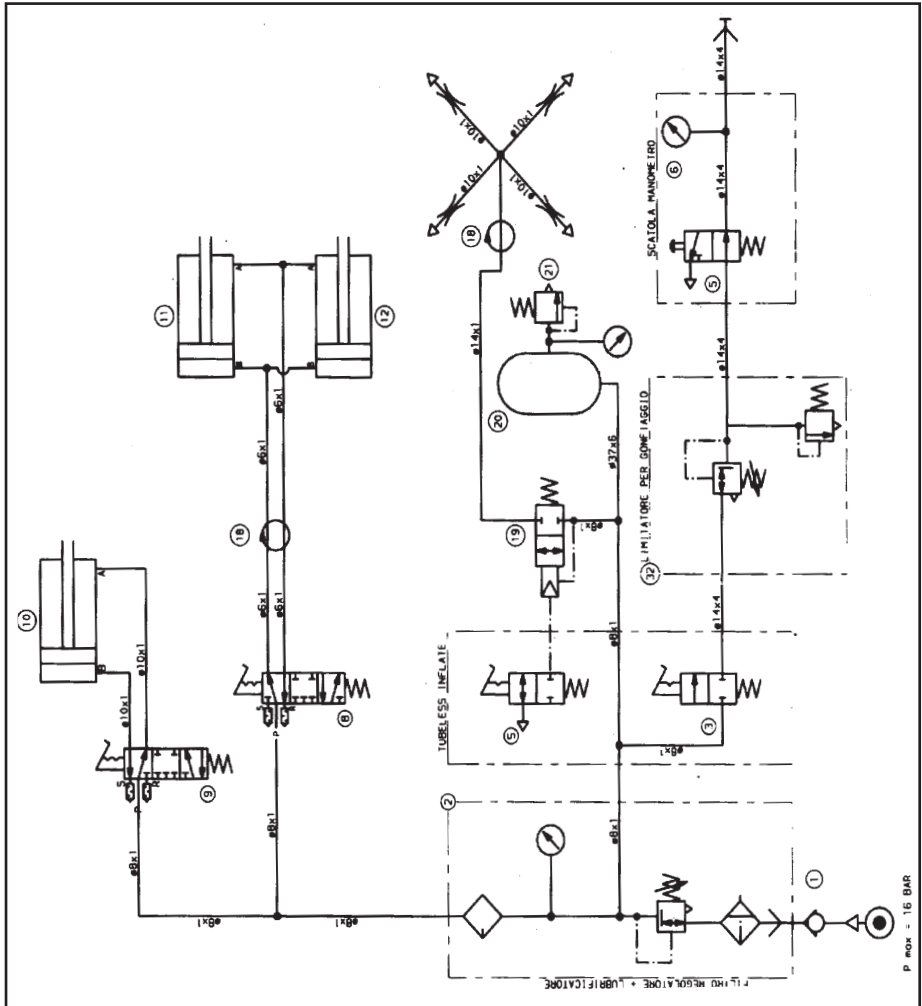


- XS1 Prise d'alimentation
 QS1 Redresseur
 M1 Moteur

FR

17. SCHÉMA DU SYSTÈME PNEUMATIQUE

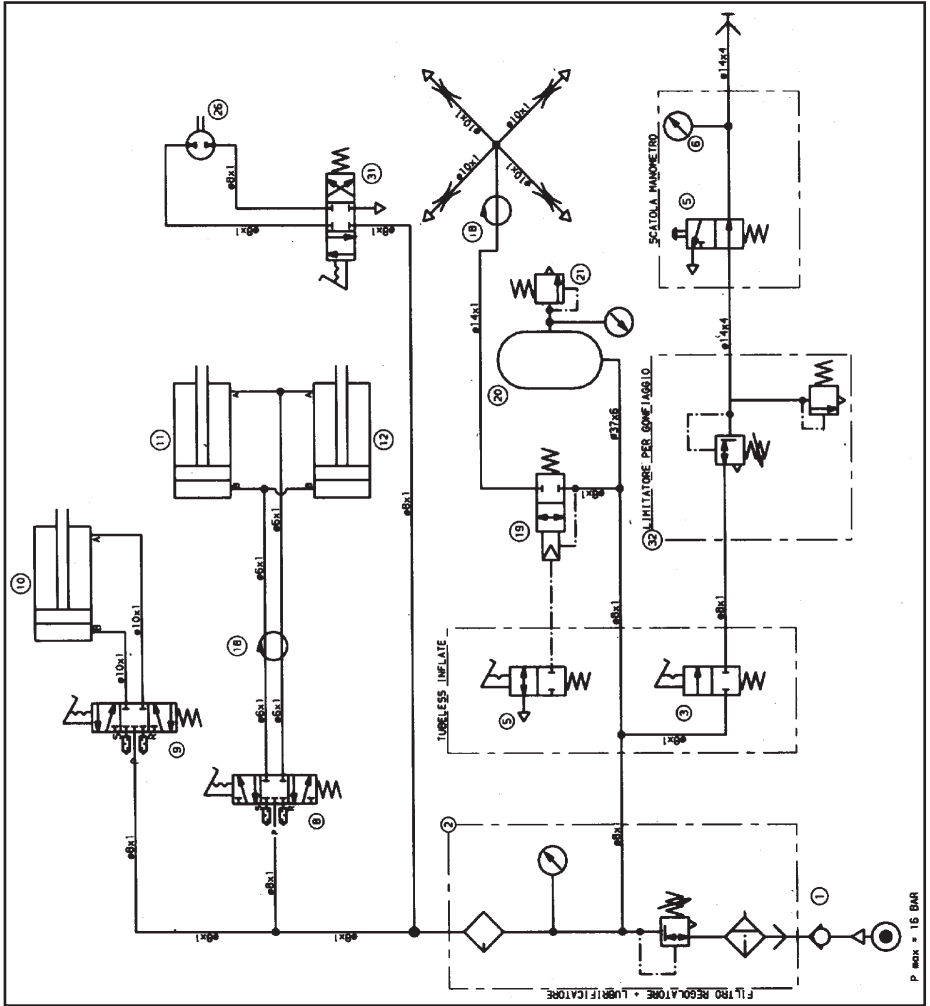
DÉMONTÉ-PNEU À MOTEUR ÉLECTRIQUE



- 1 Raccord à couplage rapide
- 2 Régulateur de l'unité de filtre
- 3 Pédale de gonflage
- 5 Bouton d'évacuation de l'air
- 6 Manomètre
- 8 Valve plateau
- 9 Valve du détalonneur
- 10 Cylindre du détalonneur

- 11 Rh Cylindre du plateau
- 12 Lh cylindre du plateau
- 18 Valve orientable avec écrou de blocage
- 19 Soupape à air comprimé
- 20 Réservoir
- 21 Valve de sûreté
- 32 Unité du régulateur de gonflage

DÉMONTE-PNEU À MOTEUR PNEUMATIQUE



- 1 Raccord à couplage rapide
- 2 Régulateur de l'unité de filtre
- 3 Pédale de gonflage
- 5 Bouton d'évacuation de l'air
- 6 Manomètre
- 8 Valve plateau
- 9 Valve du détalonneur
- 10 Cylindre du détalonneur
- 11 Rh Cylindre du plateau

- 12 Lh cylindre du plateau
- 18 Valve orientable avec écrou de blocage
- 19 Soupape à air comprimé
- 20 Réservoir
- 21 Valve de sûreté
- 26 Moteur pneumatique
- 31 5 V - 3P moteur valve d'air
- 32 Unité du régulateur de gonflage





COMIM - Cod. 4-123298B - 02/2021