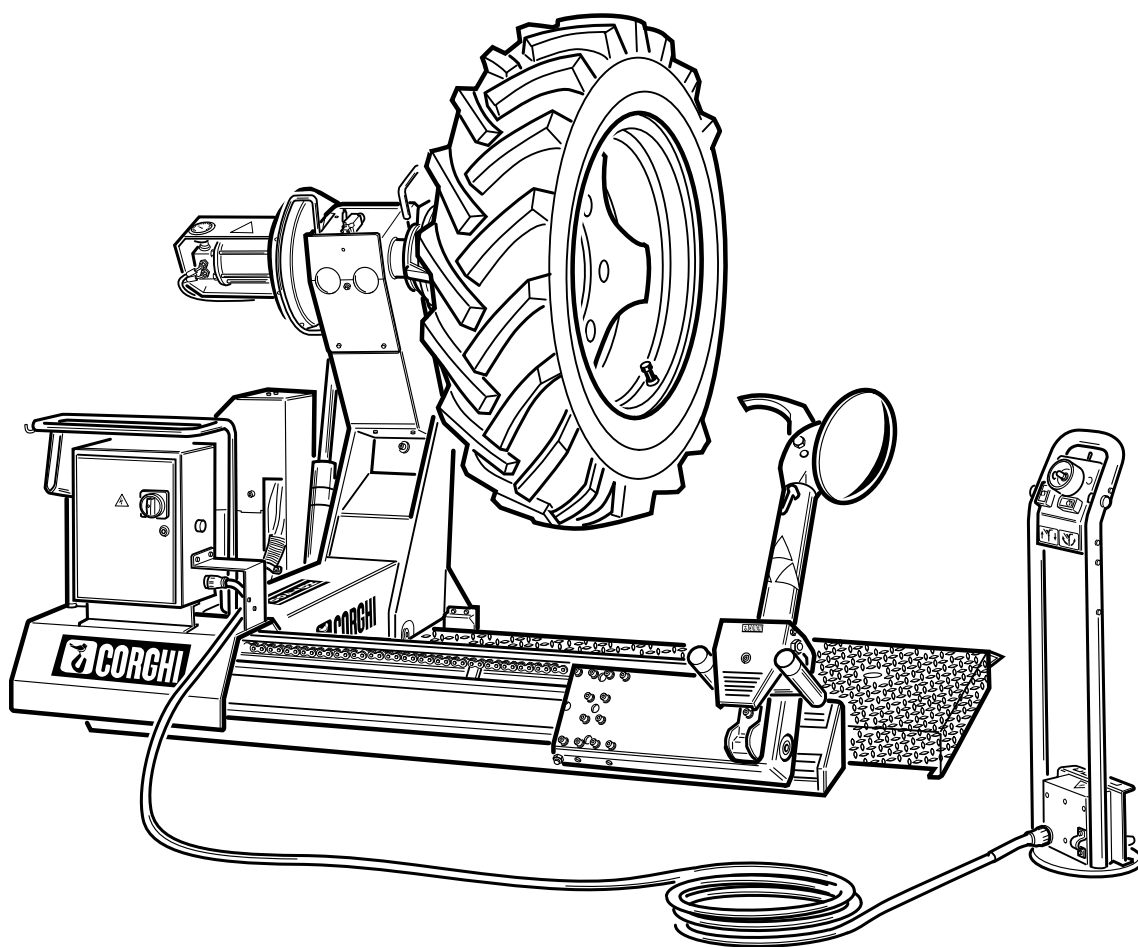


Questo libretto non autorizza l'utente ad intervenire sulle macchine ad esclusione di quanto esplicitamente descritto nel Manuale d'uso, ma consente all'utente di fornire informazioni precise all'Assistenza tecnica, al fine di ridurre i tempi di intervento.

HD1200 E (2005)

The "Spare parts" booklet does not authorize the user to carry out work on the machine unless expressly specified in the instruction manual, but does enable him to provide accurate information to the assistance service in order to reduce downtime.

PEZZI DI RICAMBIO SPARE PARTS LIST ERSATZTEILLISTE PIECES DE RECHANGE



Code

4-327961C

Production from

06 / 2011

Der Katalog Ersatzteile stellt keine Genehmigung zu eigenmächtigen Eingriffen dar (mit Ausnahme jener im Handbuch beschriebenen), sondern er soll den Anwender in die Lage versetzen, dem technischen Service präzise Informationen zu liefern, um die Reparaturzeiten zu verkürzen.



Le livret "Pièces de rechange", n'autorise pas l'utilisateur à intervenir sur les machines, sauf pour tout ce qui est clairement décrit dans le manuel d'utilisation, mais lui permet de fournir des informations précises à l'assistance technique, afin de diminuer les délais d'intervention.

I

Sul presente documento sono stati indicati in grassetto i codici che sono variati rispetto a quelli riportati nella precedente versione del 01/11

En

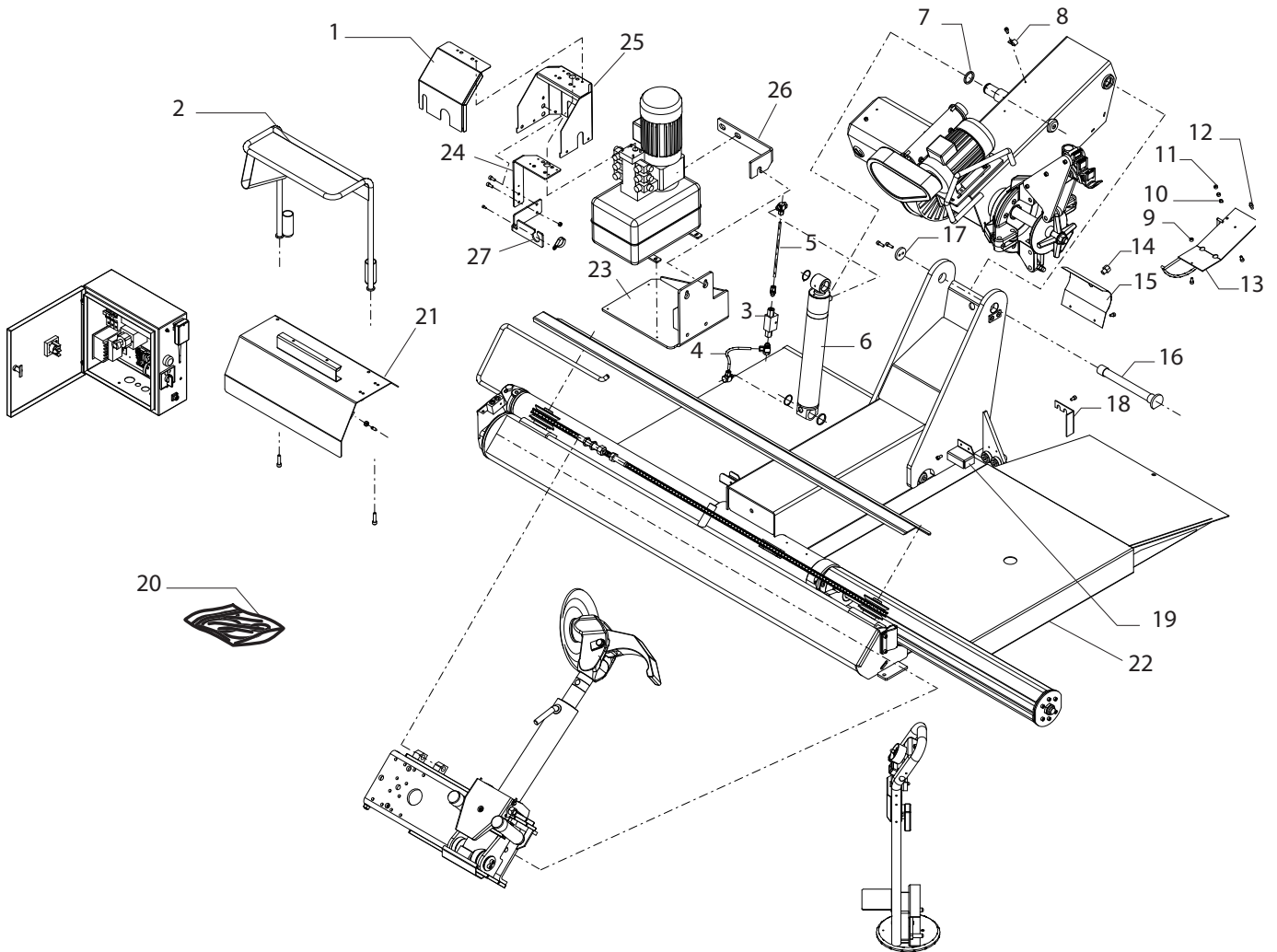
Codes that have changed from those given in the previous version dated 01/11 are indicated in bold type in this document

De

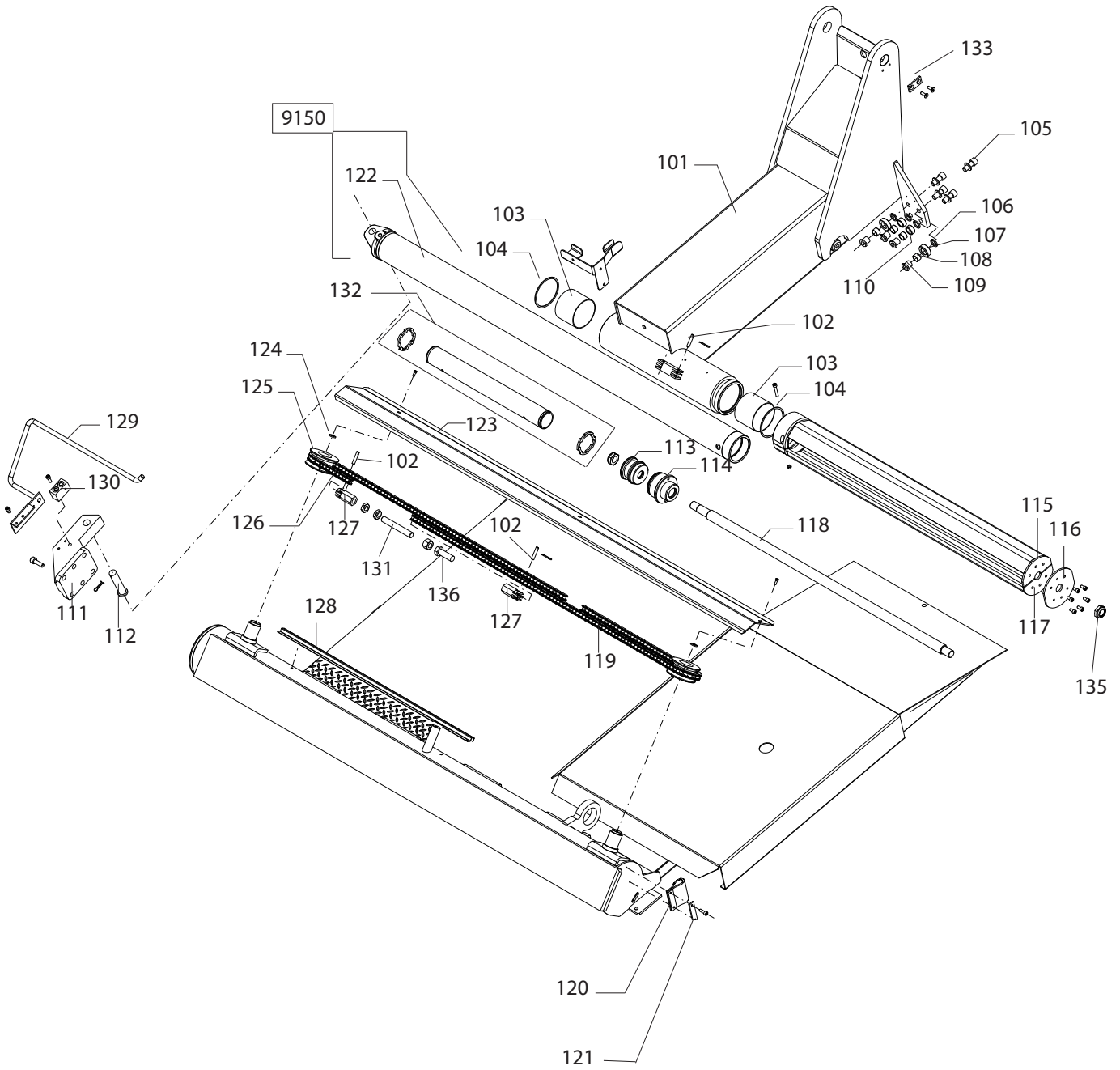
Die gegenüber der Vorgängerversion vom 01/11 geänderten Codes sind im vorliegenden Dokument fettgedruckt angegeben

Fr

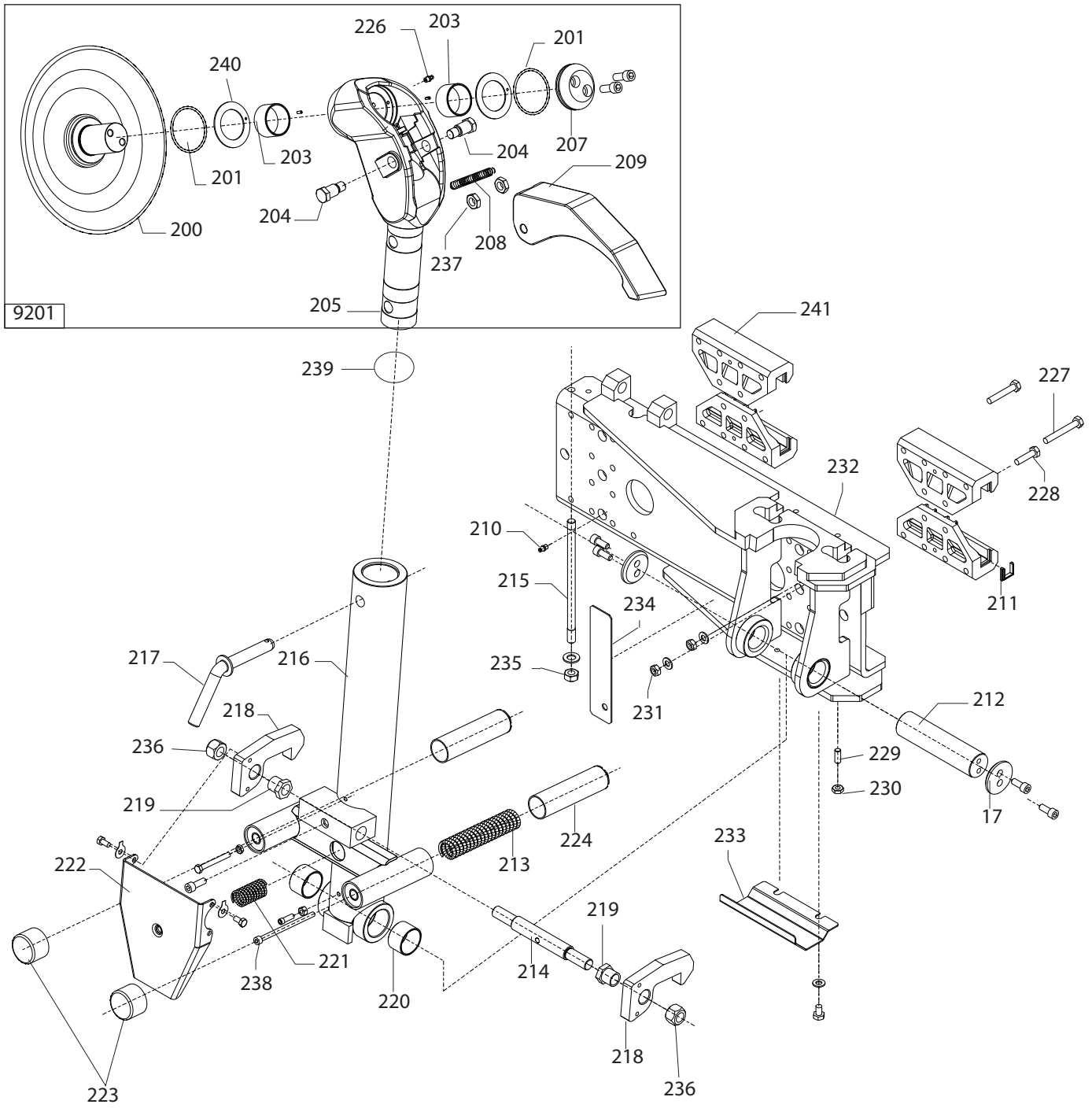
Ce document reporte en gras les codes qui ont été modifiés par rapport à ceux reportés dans la version précédente du mois de 01/11



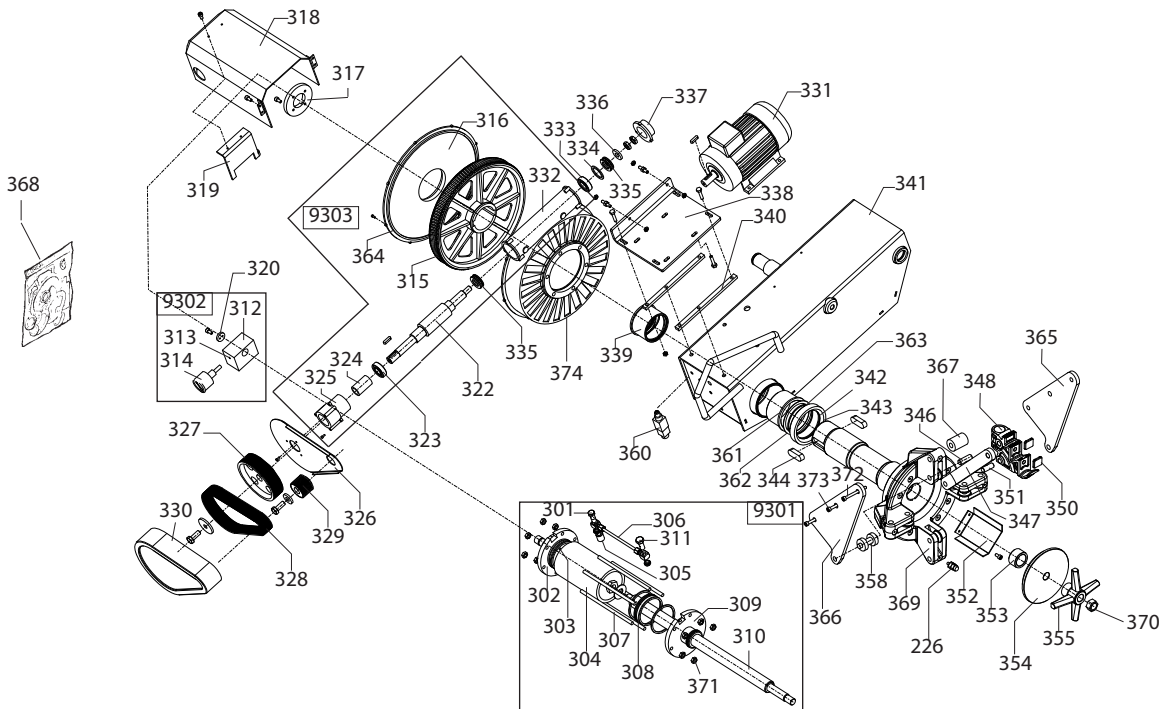
0001	4-327270	CARTER ANTERIORE	CASING	GEHAUSE	CARTER
0002	4-326928	SUPP. QUADRO EL.	SUPPORT	LAGER	SUPPORT
0003	462559	VALVOLA	VALVE	VENTIL	VANNE
0004	4-326943	TUBO INF.	PIPE	ROHR	TUYAU
0005	4-326942	TUBO SUP.	PIPE	ROHR	TUYAU
0006	242920	CILINDRO D.70	CYLINDER	ZYLINDER	CYLINDRE
0007	338751	RONDELLA	WASHER	UNTERLEGSCHIEBE	RONDELLE
0008	441731	COLLARE D.25	COLLIER	SCHELLE	COLLIER
0009	345883	CONTRASTO	CONTRAST	KONTRAST	CONTRASTE
0010	439697	MOLLA	SPRING	FEDER	RESSORT
0011	344485	DISTANZIALE	SPACER	ABSTANDSSTUECK	ENTRETOISE
0012	443794	ANTIVIBRANTE	VIBRATION DAMPER	SCHWINGUNGSDAEMP.	ANTI-VIBRATION
0013	245621	SUPPORTO	SUPPORT	LAGER	SUPPORT
0014	435315	TAPPO	PLUG	STOPFEN	BOUCHON
0015	342409	PROTEZIONE	SHIELD	ABDECKUNG	PROTECTION
0016	341680	PERNO	PIN	ZAPFEN	PIVOT
0017	341681	RONDELLA PERNO	WASHER	UNTERLEGSCHIEBE	RONDELLE
0018	342892	RASCHIAPOLVERE	SCRAPER	SCHABER	RACLEPOUSSIERE
0019	438544	CARENATURA	FAIRING	VERKLEIDUNG	CARENAGE
0020	242013	KIT GUARNIZ.CIL.D.70	SEALS KIT	DICHTUNGSATZ	KIT JOINTS
0021	4-326512	BASAMENTO QUADRO EL.		BAE	
0022	4-327371	PEDANA	RAMP		
0023	4-327202	SUPP.CENTRALINA	SUPPORT		
0024	4-327268	SUPP.CARTER EL.	SUPPORT		
0025	4-327269	CARTER POST.	CASING		
0026	4-327421	STAFFA FISS.MOTORE	BRACKET		
0027	4-327424	STAFFA SUPP.CAVI	SUPPORT		



0101	4-326672	BRACCIO	ARM	ARM	BRAS
0102	339217	PERNO CATENA	PIN	ZAPFEN	PIVOT
0103	438762	BOCCOLA	BUSHING	LAGER	DOUILLE
0104	442417	GUARNIZIONE	SEAL	DICHTUNG	JOINT
0105	2-01901	VITE	SCREW	SCHRAUBE	VIS
0106	338755	RONDELLA D.22	WASHER	UNTERLEGSCHIEBE	RONDELLE
0107	338753	ROTELLA D.44	WHEEL	RAEDCHEN	ROULETTE
0108	3-00622	BOCCOLA	BUSHING	LAGER	DOUILLE
0109	338752	PERNO ROTELLA	PIN	ZAPFEN	PIVOT
0110	338754	RONDELLA D.32	WASHER	UNTERLEGSCHIEBE	RONDELLE
0111	355058	APPOGGIO	RIM SUPPORT	STUETZE	APPUI
0112	338732	PERNO	PIN	ZAPFEN	PIVOT
0113	338682	STANTUFFO	PISTON	KOLBEN	PISTON
0114	338687	FLANGIA ANT.	FLANGE	FLANSCH	FLASQUE
0115	4-326248	TIRANTE SUP.	STAY ROD	ZUGSTANGE	TIRANT
0116	339297	ANELLO	RING	RING	ANNEAU
0117	4-326249	TIRANTE INF.	STAY ROD	ZUGSTANGE	TIRANT
0118	4-326247	STELO	STEM	SCHAFT	TIGE
0119	439634	CATENA LUNGA	CHAIN	KETTE	CHAINE
0120	342882	GOMMA	GUM	GUMMI	CAOUTCHOUC
0121	341448	TRAFILATO	DRAWN	GEZOGEN	TREFILE
0123	338387	CARTER CATENA	CASING	GEHAUSE	CARTER
0124	338712	RONDELLA D.55	WASHER	UNTERLEGSCHIEBE	RONDELLE
0125	240982	PULEGGIA	PULLEY	RIEMENSCHIEBE	POULIE
0126	439633	CATENA CORTA	CHAIN	KETTE	CHAINE
0127	338733	TENDITORE	TIGHTENER	SPANNER	TENDEUR
0128	343022	PROTEZIONE	SHIELD	ABDECKUNG	PROTECTION
0129	4-326921	SUPPORTO	SUPPORT	LAGER	SUPPORT
0130	340202	BLOCCHETTO	BLOCK	BLOCK	BLOC
0131	4-326962	TIRANTE	STAY ROD	ZUGSTANGE	TIRANT
0132	242401	GUIDA	GUIDE		
0133	4-326977	PIASTRINO ANTIROT.	PLATE		
0135	2-01902	DADO M27X2	NUT		
0136	2-033308	VITE M20	SCREW		
9150	4-326244	CILINDRO CPL D.85	CYLINDER D.85		
0122	4-326245	FONDELLO CIL.	BOTTOM CYLINDER		



9201	5-300321	UTENSILE	TOOL	WERKZEUG	OUTIL
0200	4-329814	DISCO	DISK	SCHEIBE	DISQUE
0201	85600174	GUARNIZIONE	SEAL	DICHTUNG	JOINT
0203	3-01421	BOCCOLA D.50X30	BUSHING	LAGER	DOUILLE
0204	336480	FULCRO	FULCRUM	DREHPUNKT	ENTABLURE
0205	4-327173	SUPPORTO	SUPPORT	LAGER	SUPPORT
0207	4-327271	RONDELLA DISCO	WASHER	UNTERLEGSCHIEBE	RONDELLE
0208	421596	MOLLA D.18X65X3,5	SPRING	FEDER	RESSORT
0209	237503	UTENSILE	TOOL	WERKZEUG	OUTIL
0226	429406	INGRASSATORE M6	LUBRICATOR	SCHMIERNIPPEL	GRAISSEUR
0210	439580	INGRASSATORE M8	LUBRICATOR	SCHMIERNIPPEL	GRAISSEUR
0211	438416	GUARNIZIONE	SEAL	DICHTUNG	JOINT
0212	4-327208	PERNO BRACCIO	PIN	ZAPFEN	PIVOT
0213	437519	MOLLA D.36X245X5,20	SPRING	FEDER	RESSORT
0214	338461	PERNO ECCENTRICO	PIN	ZAPFEN	PIVOT
0215	342356	TIRANTE	STAY ROD	ZUGSTANGE	TIRANT
0216	243748	BRACCIO	ARM	ARM	BRAS
0217	238138	FERMO ROTAZIONE	RETAINER	ANSCHLAG	ARRET
0218	4-327206	CRICCHETTO	CRICK	SPERRKLINKE	CLIQUET
0219	338463	BOCCOLA ECCENTRICO	BUSHING	LAGER	DOUILLE
0220	3-00629	BOCCOLA D.45X30	BUSHING	LAGER	DOUILLE
0221	443754	MOLLA D.27X82X3,25	SPRING	FEDER	RESSORT
0222	343755	PEDALE	PEDAL	PEDAL	PEDALE
0223	443756	CAPPUCCIO	CAP	KAPUZE	CAPUCHON
0224	243751	FODERO PER MOLLA	SPRING SHEATH	FEDER HUELSE	FOURREAU RESSORT
0017	341681	RONDELLA PERNO	WASHER	UNTELEGSCHIEBE	RONDELLE
0227	2-03248	VITE M10X75	SCREW		
0228	2-03247	VITE M10X40	SCREW		
0229	2-01291	GRANO M10X25	SCRE		
0230	2-00169	DADO M10	NUT		
0231	422289	DADO M10	NUT		
0232	4-327210	CARRELO	TROLLEY		
0233	4-327205	CARTER PROTEZIONE	PROTECTION		
0234	4-327422	PIATTO DI CONTRASTO	PLATE		
0235	421674	DADO M14	NUT		
0236	422677	DADO M20	NUT		
0237	2-03392	DADO M16X1,5	NUT		
0238	2-01172	VITE M8X130	SCREW		
0239	423781	OR D.60	OR		
0240	88910001	RONDELLA	WASHER		
0241	5-103538	PATTINO	PAD		

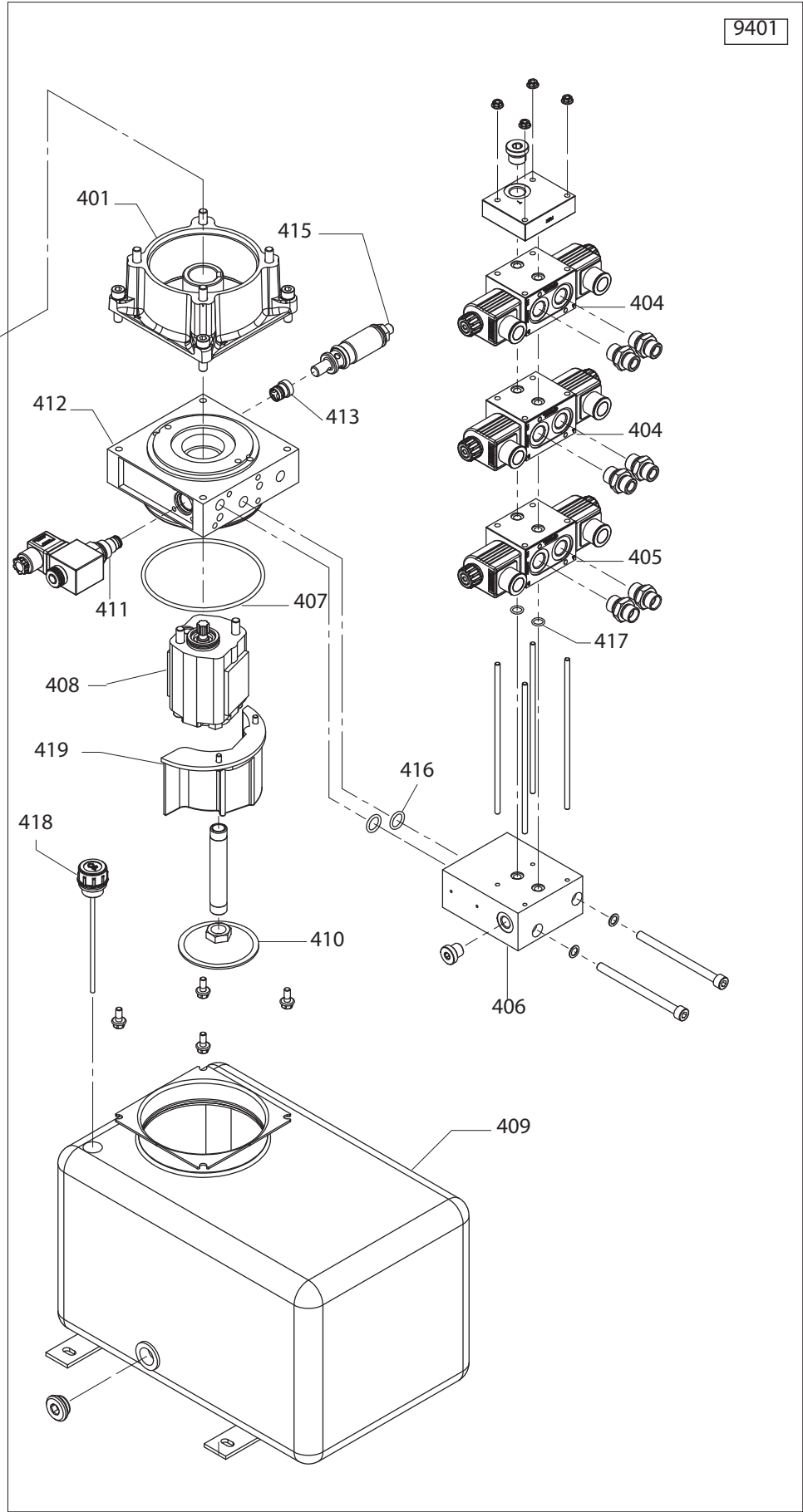
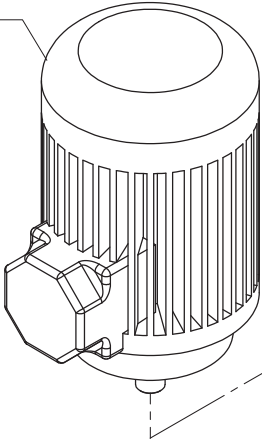


0226	429406	INGRASSATORE M6	LUBRICATOR	SCHMIERNIPPEL	GRAISSEUR
0317	353343	FLANGIA BLOC.RUOTA ELIC.		FLANGE	
0318	253346	CARTER CILINDRO	CASING	GEHAUSE	CARTER
0319	339538	FERMO	RETAINER	ANSCHLAG	ARRET
0320	338778	RONDELLA FLANG.POST.		WASHER	
0322	5-327657	KIT VITE SENZA FINE	SCREW	SCHRAUBE	VIS
0323	2-00213	RONDELLA	WASHER	UNTERLEGSSCHEIBE	RONDELLE
0326	353245	CARTER CINGHIA INF.	CASING	GEHAUSE	CARTER
0327	355893	PULEGGIA 50HZ	PULLEY	RIEMENSCHIEBE	POULIE
0327	355896	PULEGGIA 60HZ	PULLEY	RIEMENSCHIEBE	POULIE
0328	3-00577	CINGHIA 50HZ	BELT	RIEMEN	COURROIE
0328	3-00578	CINGHIA 60HZ	BELT	RIEMEN	COURROIE
0329	355892	PULEGGIA 50/60 HZ	PULLEY	RIEMENSCHIEBE	POULIE
0330	455891	CARTER CINGHIE	CASING	GEHAUSE	CARTER
0331	3-01224	MOTORE 380V/3/50	MOTOR	MOTOR	MOTEUR
0331	3-01223	MOTORE 230V/3/50	MOTOR	MOTOR	MOTEUR
0331	3-01222	MOTORE 230V/3/60	MOTOR	MOTOR	MOTEUR
0331	3-01602	MOTORE 400V/3/60	MOTOR	MOTOR	MOTEUR
0333	2-01034	CUSCINETTO	BEARING	LAGER	ROULEMENT
0334	317281	RONDELLA D.40	WASHER	UNTERLEGSSCHEIBE	RONDELLE
0335	2-01035	CUSCINETTO	BEARING	LAGER	ROULEMENT
0336	317339	RONDELLA D.16	WASHER	UNTERLEGSSCHEIBE	RONDELLE
0337	354875	FONDELLO ASSE VITE	FLANGE	FLANSCH	FLASQUE
0338	355937	FLANGIA ATT.MOTORE	FLANGE	FLANSCH	FLASQUE
0339	453344	BRONZINA CON BATTUTA		BRASS	
0340	346852	SUPPORTO	SUPPORT	LAGER	SUPPORT
0341	5-300674	BRACCIO	ARM	ARM	BRAS
0342	85600199	OR	OR		
0343	4-327054	ANELLO DIST.	RING	RING	ANNEAU
0344	2-01162	LINGUETTA	TANG	FEDERKEIL	LANGUETTE

		HD1200 E (2005)	Fig. D	10 / 05	Autocentrante
0346	321564	SPINOTTO	GUDGEON	KOLBENBOLZEN	GOUJON
0347	334163	BIELLA	TRACE	PLEUELSTANGE	BIELLE
0348	4-326301	GRIFFA	JAW	BACKE	MORS
0350	435441	TASSELLO	BLOCK	EINSATZSTUECK	TAMPON
0351	334164	SPINOTTO	GUDGEON	KOLBENBOLZEN	GOUJON
0352	341289	CARTER	CASING	GEHAUSE	CARTER
0353	438592	BRONZINA D.55	BRASS	LAGERBUCHSE	COUSSINET EN BRONZE
0354	338601	DISCO	DISK	SCHEIBE	DISQUE
0355	338600	CROCE	CROSS	KREUZ	CROIX
0369	5-100600	MANDRINO	SPINDLE	SPINDEL	MANDRIN
0358	334170	RULLO	ROLLER	WALZE	ROULEAU
0360	422041	INTERRUETTORE	SWITCH	SCHALTER	INTERRUPTEUR
0361	355175	BRONZINA	BRASS	LAGERBUCHSE	COUSSINET EN BRONZE
0362	354976	RONDELLA D.118	WASHER	UNTERLEGSCHIEBE	RONDELLE
0363	85604400	GUARNIZIONE	SEAL	DICHTUNG	JOINT
0365	4-327972	PIASTRA DX	SLAB	PLATTE	PLAQUE
0366	4-327971	PIASTRA SX	SLAB	PLATTE	PLAQUE
0367	4-327973	DISTANZIALE	SPACER	ABSTANDSSTUECK	ENTRETOISE
0368	242012	KIT GUARNIZIONI	SEALS KIT	DICHTUNGSATZ	KIT JOINTS
0370	2-91674	DADO M22	NUT		
0371	2-91639	DADO M12	NUT		
0372	4-326544	VITE M16	SCREW		
0373	4-326543	VITE M16	SCREW		
0374	453350	ANELLO DI TENUTA	RING		
9301	5-300417	CILINDRO D.120	CYLINDER	ZYLINDER	CYLINDRE
0301	335284	VITE FORATA 1/8	SCREW	SCHRAUBE	VIS
0302	338777	FLANGIA POST.	FLANGE	FLANSCH	FLASQUE
0303	440357	TAPPO	PLUG	STOPFEN	BOUCHON
0304	338710	CILINDRO	CYLINDER	ZYLINDER	CYLINDRE
0305	335283	PROLUNGA TUBO	EXTENSION CORD	VERLAENGERUNG	RALLONGE
0306	422674	TUBO L.240	PIPE	ROHR	TUYAU
0307	334204	TIRANTE	STAY ROD	ZUGSTANGE	TIRANT
0308	338604	STANTUFFO	PISTON	KOLBEN	PISTON
0309	239118	FLANGIA ANTERIORE	FLANGE	FLANSCH	FLASQUE
0310	338599	STELO	STEM	SCHAFT	TIGE
0311	322489	PERNO CORTO	PIN	ZAPFEN	PIVOT
9302	239596	DISTRIBUTORE	DISTRIBUTOR	VERTEILER	DISTRIBUTEUR
0312	440387	DISTRIBUTORE	DISTRIBUTOR	VERTEILER	DISTRIBUTEUR
0313	459412	VALVOLA	VALVE	VENTIL	VANNE
0314	3-00491	MANOMETRO D.63 0-250BAR		PRESSURE GAUGE	
9303	260124	KIT SCATOLA RIDUTTORE		TRANSFORMATION KIT	
0315	341541	RUOTA	WHEEL	RAD	ROUE
0316	354213	COPERCHIO	LID	DECKEL	COUVERCLE
0324	354881	BOCCOLA DISTANZ.	BUSHING	LAGER	DOUILLE
0325	354876	FONDELLO ATT.CARTER		FLANGE	
0332	5-300181	SCATOLA RIDUTTORE	BOX	SCHACHTEL	BOITE
0364	454882	OR D.380X3.53	RING	RING	ANNEAU

9401

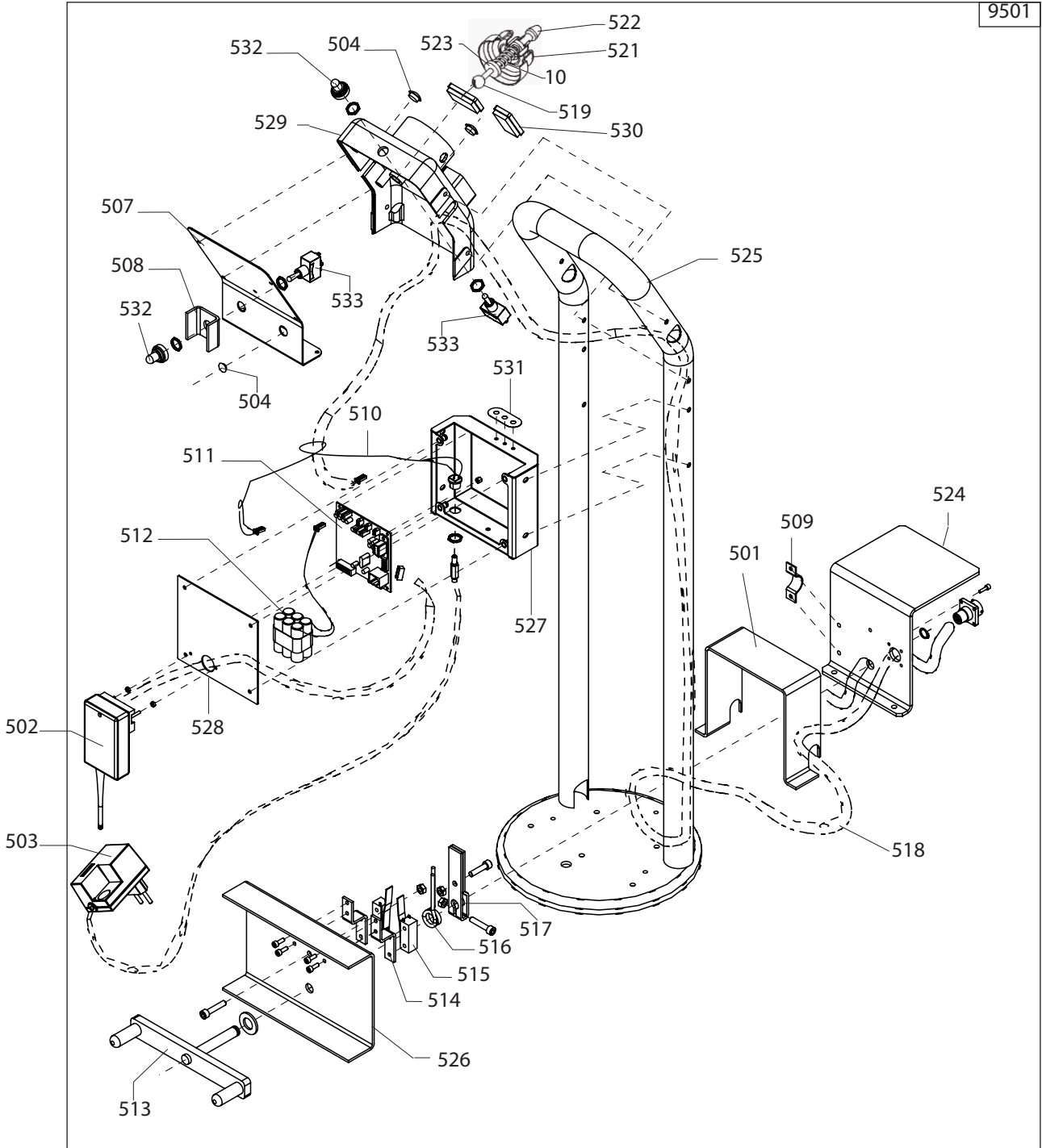
414



9401	5-300288	CENTRALINA 50HZ	POWER PACK 50HZ	STEUERGERAET 50HZ	UNITE DE CONTROLE 50HZ
9401	5-300342	CENTRALINA 60HZ	POWER PACK 60HZ	STEUERGERAET 60HZ	UNITE DE CONTROLE 60HZ
0401	86990252	KIT DI TRASCINAMENTO		POWER PACK	
0404	86990304	DISTRIBUTORE	DISTRIBUTOR	VERTEILER	DISTRIBUTEUR
0405	86990303	DISTRIBUTORE	DISTRIBUTOR	VERTEILER	DISTRIBUTEUR
0406	86990322	BASE CON FORI M5 FINO A 12/10		BASE	
0406	4-113049	BASE CON FORI M6 DA 01/11		BASE	
0407	4-330014	GUARNIZIONE	SEAL	DICHTUNG	JOINT
0408	4-300012	POMPA 50HZ	PUMP 50HZ	PUMPE 50HZ	POMPE 50HZ
0408	4-300013	POMPA 60HZ	PUMP 60HZ	PUMPE 60HZ	POMPE 60HZ
0409	86990320	SERBATOIO 16LT	TANK	TANK	RESERVOIR
0410	86990354	FILTRO	FILTER		
0411	4-300015	ELETTRORVALVOLA	SOLENOID VALVE		
0412	86990222	CORPO+RITEGNO	BODY		
0413	86990315	VALVOLA RITEGNO	VALVE	VENTIL	VANNE
0415	86990208	VALVOLA DI MAX	VALVE	VENTIL	VANNE
0416	86990355	OR 3056	OR 3056		
0417	86990133	OR 2037	OR 2037		
0418	4-300016	TAPPO+ASTA	PLUG		
0419	86990351	KIT COLLETTORE	KIT		

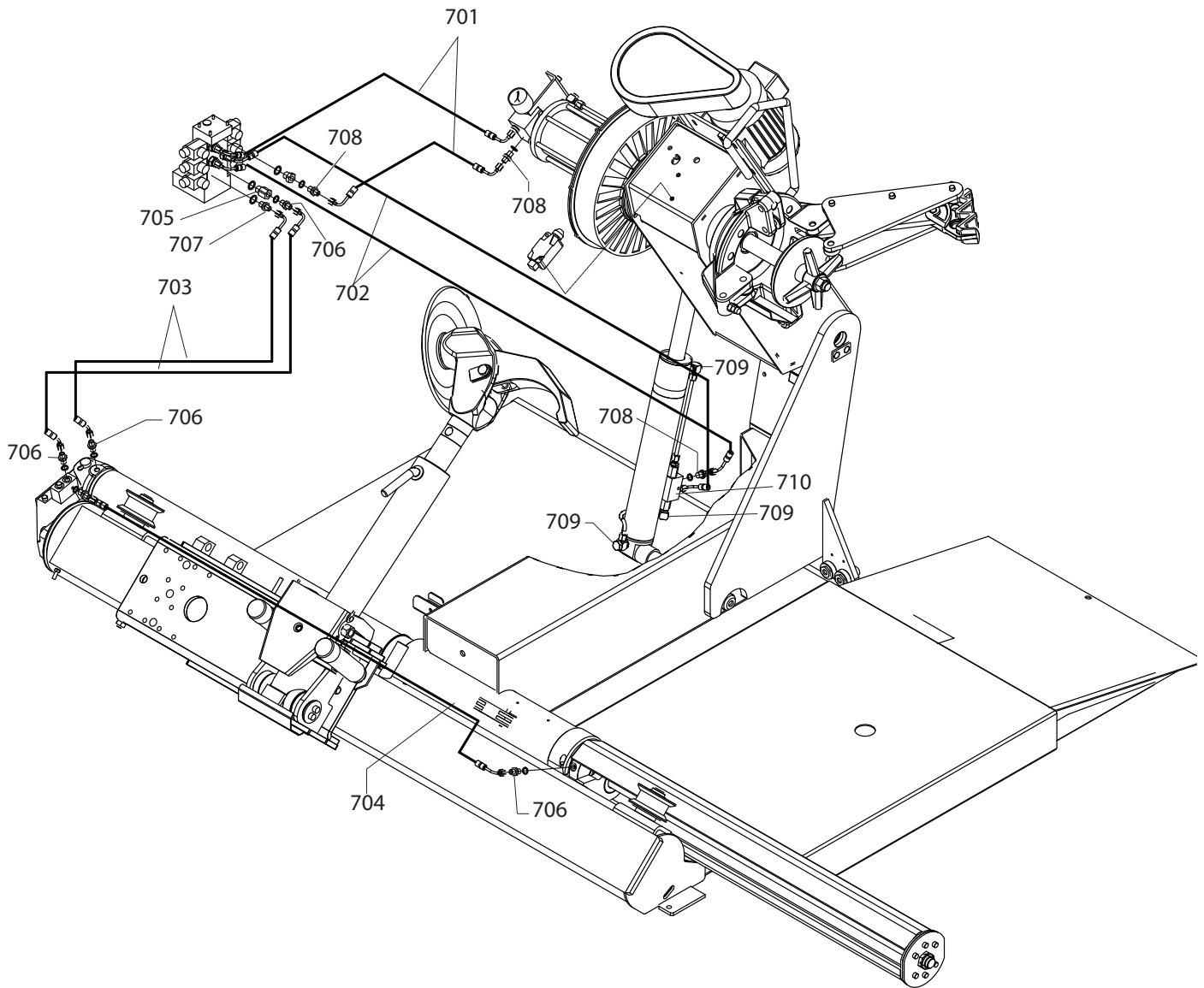
	MOTORE	MOTOR	MOTOR	MOTEUR
0414 444453	380V/3ph/50Hz	380V/3ph/50Hz	380V/3ph/50Hz	380V/3ph/50Hz
0414 445570	230V/3ph/60Hz	230V/3ph/60Hz	230V/3ph/60Hz	230V/3ph/60Hz
0414 445670	230V/3ph/50Hz	230V/3ph/50Hz	230V/3ph/50Hz	230V/3ph/50Hz
0414 3-01601	400V/3ph/60Hz	400V/3ph/60Hz	400V/3ph/60Hz	400V/3ph/60Hz

9501



9501	5-300287	MANIPOLATORE	MANIPULATOR	MANIPULATOR	MANIPULATEUR
0010	439697	MOLLA D.10,2X38X0.9	SPRING	FEDER	RESSORT
0501	355788	CARTER PEDALIERA	CASING	GEHAUSE	CARTER
0504	456036	TAPPO TONDO	PLUG	STOPFEN	BOUCHON
0532	4-300096	CAPPUCCIO	CAP	KAPUZE	CAPUCHON
0533	4-300095	DEVIATORE	SWITCH	SCHALTER	COMMUTATEUR
0507	355779	COPERCHIO INTERR.	LID	DECKEL	COUVERCLE
0508	340747	PROTEZIONE DEVIATORE		SHEATH	
0509	338372	FASCETTA	STRAP	SCHLAUCHSCHELLE	COLLIER
0510	4-327146	CAVO CARICABAT.	CABLE	KABEL	CABLE
0511	5-300198	SCHEDE SPM124C	P.C. BOARD	ELEKTR. PLATINE	FICHE ELECTR.
0512	4-327152	BATTERIA 7,2V 1800MA	BATTERY	BATTERIE	BATTERIE
0513	217479	PEDALE	PEDAL		
0514	355786	STAFFA PORTA MICRO	BRACKET	KLAUE	ETRIER
0515	440874	MICRO 16A+FASTON+LINGUETTA		MICROSWITCH	
0516	401270	MOLLA INTERR.	SPRING	FEDER	RESSORT
0517	317491	LEVA COMANDO MICRO		LEVER	
0518	4-327073	CAVO	CABLE	KABEL	CABLE
0519	339000	LEVA	LEVER	HEBEL	LEVIER
0521	435301	PROTEZIONE MANIP.	SHIELD	ABDECKUNG	PROTECTION
0522	355781	POMOLO	KNOB	BALLENGRIFF	POMMEAU
0523	339002	GUIDA LEVA COM.	GUIDE	FUEHRUNG	GLISSIERE
0524	4-327187	PROTEZIONE	PROTECTION		
0525	4-326251	PEDALIERA	PEDAL		
0526	355787	CARTER PEDALE	PEDAL CASING		
0527	4-327059	SCATOLA	BOX		
0528	4-327176	COPERCHIO	CUP		
0529	4-327008	SUPP.INTERRUT.	SUPPORT		
0530	456186	TAPPO	PLUG		
0531	4-327669	TARGHETTA LED	LABEL		
0502	5-300221	Scheda radiomodem	P.C. BOARD	ELEKTR. PLATINE	FICHE ELECTR.
0503	4-328832	CARICABATTERIE 200 ma 230V		BATTERY CHARGER	

9650	5-300236	IMPIANTO ELETTRICO CPL 400V/3/50HZ				
9650	5-300237	IMPIANTO ELETTRICO CPL 230V/3/60HZ				
0601	84700038	INTERRUTTORE (TLMQ)	SWITCH	SCHALTER		INTERRUPTEUR
0601	3-80140	INTERRUTTORE (AB)	SWITCH			
0602	84200027	TELERUTTORE 230V(TLMQ)	REMOTE SWITCH	FERNASCHALTER		TELERUPTEUR
0602	3-80146	TELERUTTORE 230V(AB)	REMOTE SWITCH			
0602	84200058	TELERUTTORE 400V(TLMQ)	REMOTE SWITCH	FERNASCHALTER		TELERUPTEUR
0602	3-80142	TELERUTTORE 400V(AB)	REMOTE SWITCH			
0603	84802501	FUSIBILE 1A	FUSE	SICHERUNG		FUSIBLE
0603	84802502	FUSIBILE 2A	FUSE	SICHERUNG		FUSIBLE
0604	84990781	SUPPORTO 2POLI	SUPPORT	LAGER		SUPPORT
0605	84990775	SUPPORTO 1POLO	SUPPORT	LAGER		SUPPORT
0606	84100056	TRASFORMATORE	TRANSFORMER	TRANSFORMATOR		TRANSFORMATEUR
0607	84500012	TERMICA 400V 6-10A (TLMQ)		OVERLOAD		
0607	3-80143	TERMICA 400V 6-10A (AB)		OVERLOAD		
0607	38450032	TERMICA 230V 9-14A (TLMQ)		OVERLOAD		
0607	3-80147	TERMICA 230V 9-14A (AB)		OVERLOAD		
0608	4-327260	SPIA BIANCA	PILOT LAMP	KONTROLLEUCHTE		TEMOIN
0609	218799	SPIA LUMINOSA	PILOT LAMP	KONTROLLEUCHTE		TEMOIN
0610	84710027	COMMUTATORE(TLMQ)	COMMUTATOR			
0610	3-80141	COMMUTATORE(AB)	COMMUTATOR			
0611	4-327072	CAVO SERIALE RX	CABLE	KABEL		CABLE
0613	5-300283	SCHEDA EL.HTCCB	P.C. BOARD	ELEKTR. PLATINE		FICHE ELECTR.
0614	5-300190	SCHEDA EL.EPPB	P.C. BOARD	ELEKTR. PLATINE		FICHE ELECTR.
0615	4-327055	CAVO FLAT 30VIE L.20	FLAT	KABEL		CABLE
0616	4-328525	CAVO COMANDI	CABLE	KABEL		CABLE
0617	3-03075	INTERBLOCCO MECCANICO (AB)				



0701	4-326821	TUBO L.2000mm	PIPE	ROHR	TUYAU
0702	4-326820	TUBO L.650 mm	PIPE	ROHR	TUYAU
0703	4-326815	TUBO L.1750 mm	PIPE	ROHR	TUYAU
0704	4-326816	TUBO L.1675 mm	PIPE	ROHR	TUYAU
0705	86200136	RACCORDO 3/8-1/4	CONNECTOR		
0706	86200137	RACC.1/4	CONNECTOR		
0707	86200138	RACC. 3/8	CONNECTOR		
0708	86200134	RACC. 1/4	CONNECTOR		
0709	86200066	RACC.ORIENTABILE 1/4	CONNECTOR		
0710	462559	VALVOLA	VALVE		

Il disegno è realizzato con tutti i particolari ma solo quelli codificati sono forniti come ricambi. L'Azienda si riserva la facoltà di apportare modifiche senza preavviso.



Via per Carpi, n°9 - 42015 Correggio (RE) ITALY
Tel. ++39 0522 639111 - Fax ++39 0522 639150
www.corgi.com - info@corgi.com

The drawing shows all parts but only the coded parts are supplied as spares. The Company reserves the right to make modifications without prior notice.

UTB - Cod. 4-327961C - 06/2011