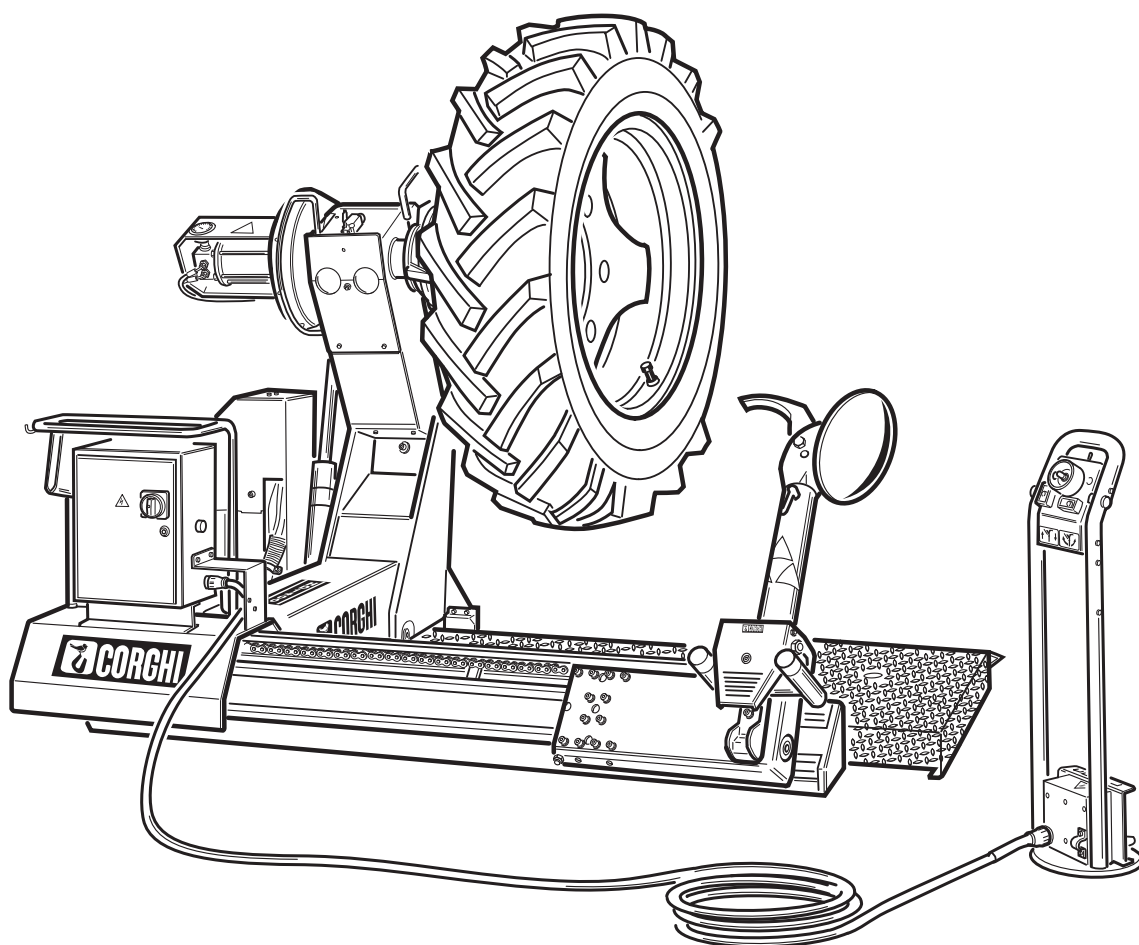


Questo libretto non autorizza l'utente ad intervenire sulle macchine ad esclusione di quanto esplicitamente descritto nel Manuale d'uso, ma consente all'utente di fornire informazioni precise all'Assistenza tecnica, al fine di ridurre i tempi di intervento.

HD1200 E (2005)

The "Spare parts" booklet does not authorize the user to carry out work on the machine unless expressly specified in the instruction manual, but does enable him to provide accurate information to the assistance service in order to reduce downtime.

PEZZI DI RICAMBIO SPARE PARTS LIST ERSATZTEILLISTE PIECES DE RECHANGE



Code

4-327961

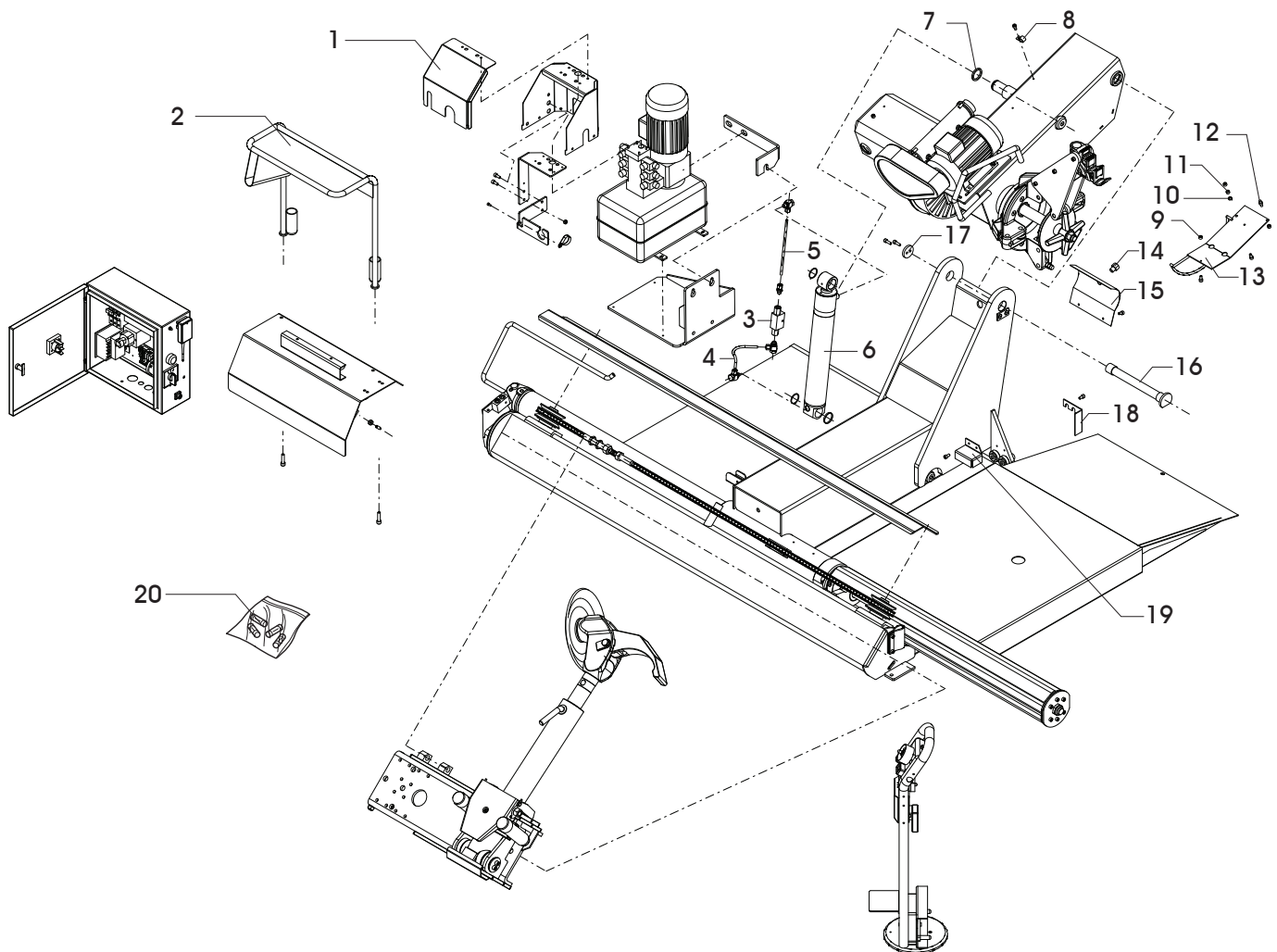
Production from

01 / 2005

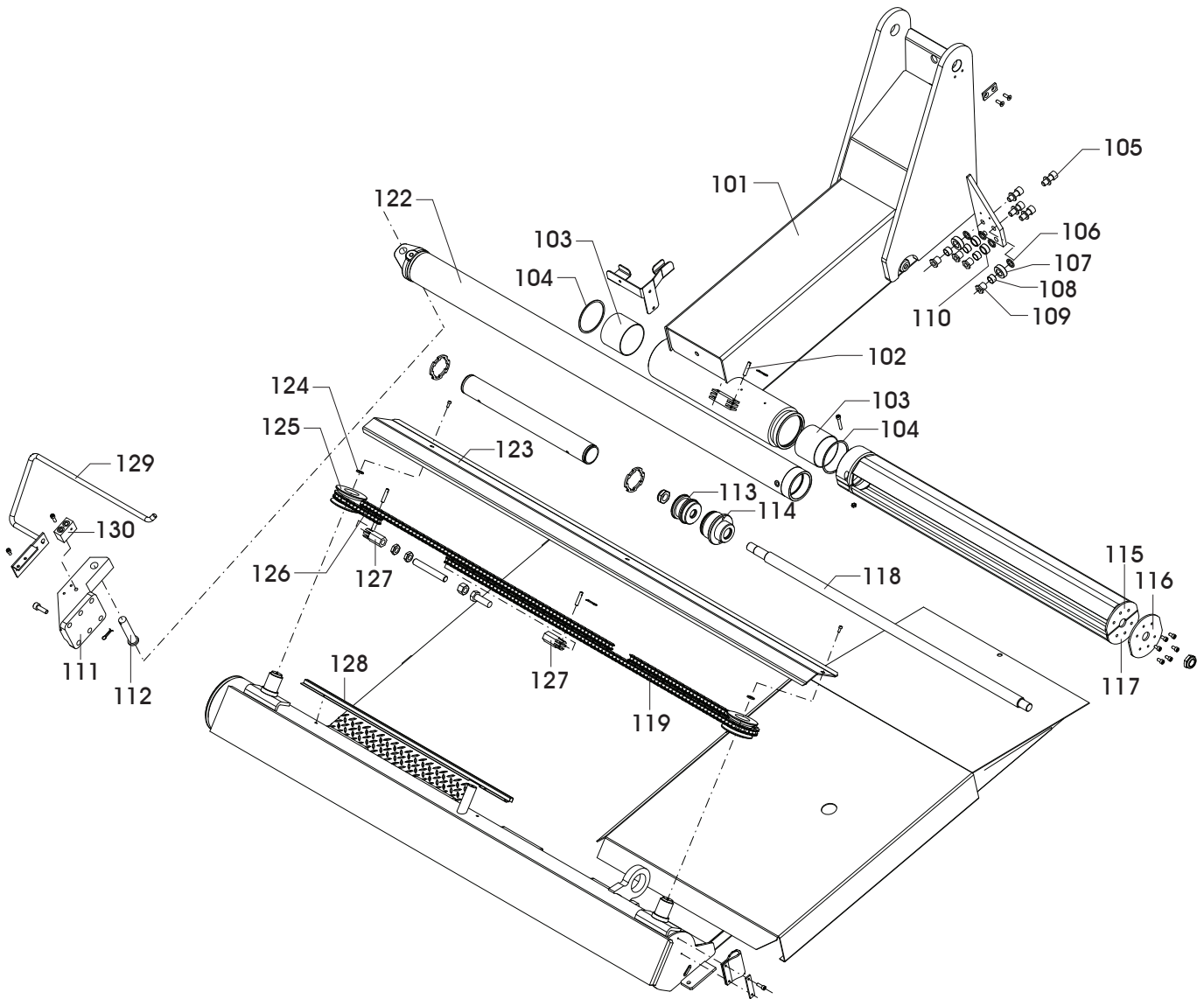
Der Katalog Ersatzteile stellt keine Genehmigung zu eigenmächtigen Eingriffen dar (mit Ausnahme jener im Handbuch beschriebenen), sondern er soll den Anwender in die Lage versetzen, dem technischen Service präzise Informationen zu liefern, um die Reparaturzeiten zu verkürzen.



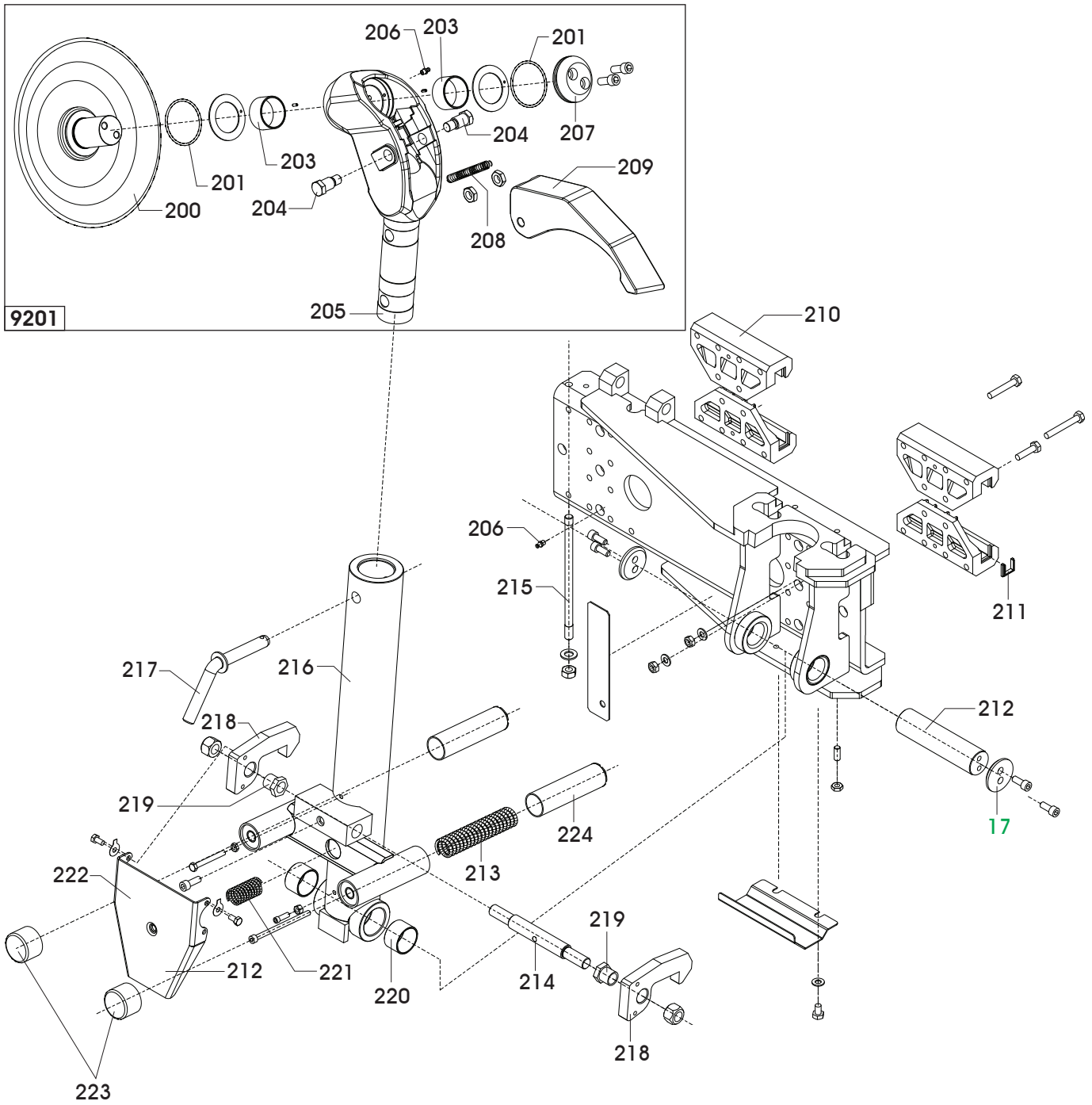
Le livret "Pièces de rechange", n'autorise pas l'utilisateur à intervenir sur les machines, sauf pour tout ce qui est clairement décrit dans le manuel d'utilisation, mais lui permet de fournir des informations précises à l'assistance technique, afin de diminuer les délais d'intervention.



0001	9004-327270	CARTER	CASING	GEHAUSE	CARTER
0002	9004-326928	SUPPORTO	SUPPORT	LAGER	SUPPORT
0003	900454414	VALVOLA	VALVE	VENTIL	VANNE
0003	9004-326943	TUBO	PIPE	ROHR	TUYAU
0005	9004-326942	TUBO	PIPE	ROHR	TUYAU
0006	900242920	CILINDRO	CYLINDER	ZYLINDER	CYLINDRE
0007	900338751	RONDELLA	WASHER	UNTERLEGSCHIEBE	RONDELLE
0008	900441731	COLLARE	COLLIER	SCHELLE	COLLIER
0009	900345883	CONTRASTO	CONTRAST	KONTRAST	CONTRASTE
0010	900439697	MOLLA	SPRING	FEDER	RESSORT
0011	900344485	DISTANZIALE	SPACER	ABSTANDSSTUECK	ENTRETOISE
0012	900443794	ANTIVIBRANTE	VIBRATION DAMPER	SCHWINGUNGSDAEMP.	ANTI-VIBRATION
0013	900245621	SUPPORTO	SUPPORT	LAGER	SUPPORT
0014	900435315	TAPPO	PLUG	STOPFEN	BOUCHON
0015	900342409	PROTEZIONE	SHIELD	ABDECKUNG	PROTECTION
0016	900341680	PERNO	PIN	ZAPFEN	PIVOT
0017	900341681	RONDELLA	WASHER	UNTERLEGSCHIEBE	RONDELLE
0018	900342892	RASCHIAPOLVERE	SCRAPER	SCHABER	RACLEPOUSSIERE
0019	900438544	CARENATURA	FAIRING	VERKLEIDUNG	CARENAGE
0020	900242013	KIT GUARNIZIONI	SEALS KIT	DICHTUNGSATZ	KIT JOINTS

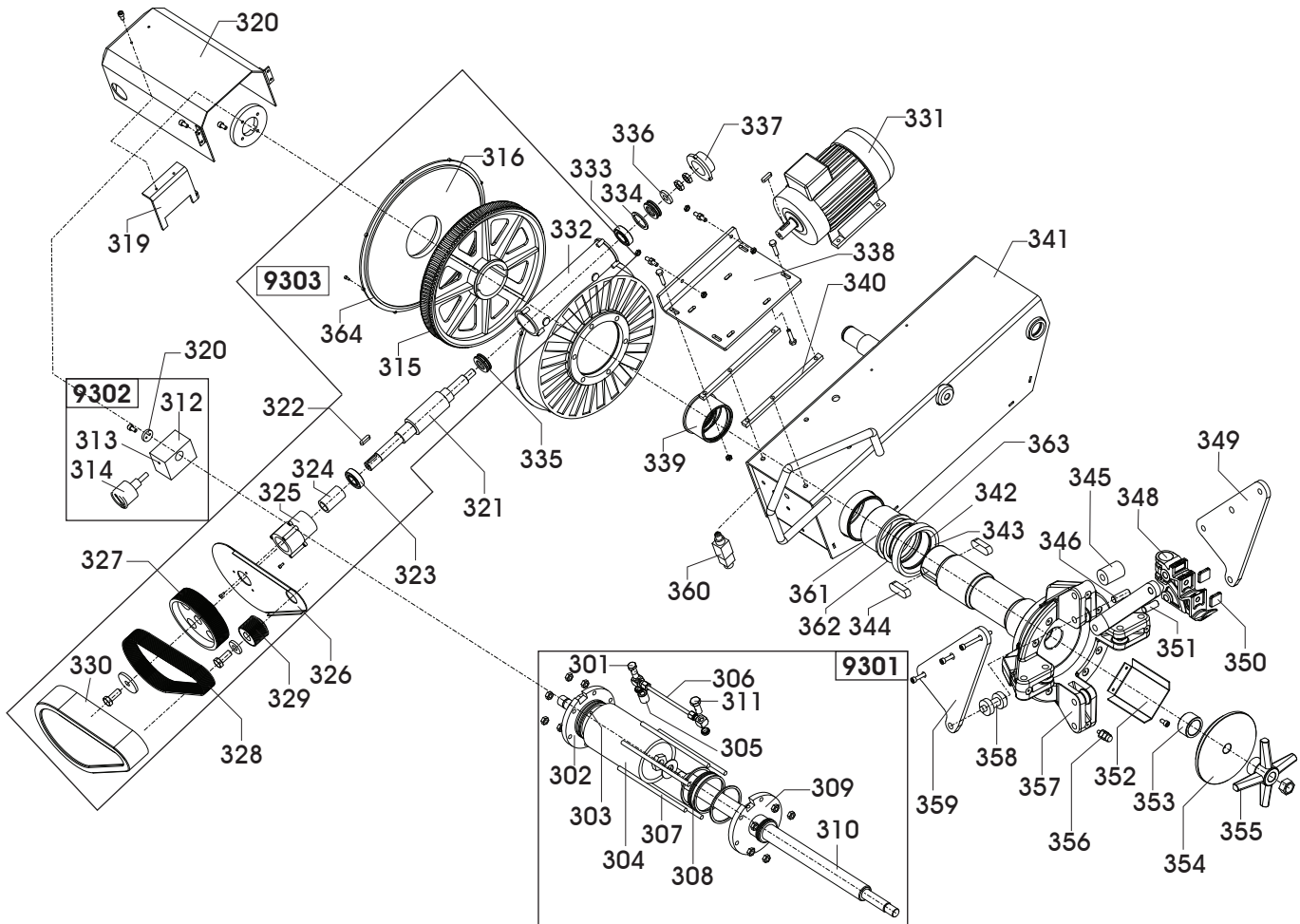


0101	9004-326672	BRACCIO	ARM	ARM	BRAS
0102	900339217	PERNO	PIN	ZAPFEN	PIVOT
0103	900438762	BOCCOLA	BUSHING	LAGER	DOUILLE
0104	900442417	GUARNIZIONE	SEAL	DICHTUNG	JOINT
0105	900601901	VITE	SCREW	SCHRAUBE	VIS
0106	900338755	RONDELLA	WASHER	UNTERLEGSCHIEBE	RONDELLE
0107	900338753	ROTELLA	WHEEL	RAEDCHEN	ROULETTE
0108	900438756	BOCCOLA	BUSHING	LAGER	DOUILLE
0109	900338752	PERNO	PIN	ZAPFEN	PIVOT
0110	900338754	RONDELLA	WASHER	UNTERLEGSCHIEBE	RONDELLE
0111	900238545	APPOGGIO	RIM SUPPORT	STUETZE	APPUI
0112	900338732	PERNO	PIN	ZAPFEN	PIVOT
0113	900338682	STANTUFFO	PISTON	KOLBEN	PISTON
0114	900338687	FLANGIA	FLANGE	FLANSCH	FLASQUE
0115	9004-326248	TIRANTE	STAY ROD	ZUGSTANGE	TIRANT
0116	900339297	ANELLO	RING	RING	ANNEAU
0117	9004-326249	TIRANTE	STAY ROD	ZUGSTANGE	TIRANT
0118	9004-326247	STELO	STEM	SCHAFT	TIGE
0119	900439634	CATENA	CHAIN	KETTE	CHAINE
0120	900342882	GOMMA	GUM	GUMMI	CAOUTCHOUC
0121	900341448	TRAFILATO	DRAWN	GEZOGEN	TREFILE
0122	9004-326245	CILINDRO	CYLINDER	ZYLINDER	CYLINDRE
0123	900338387	CARTER	CASING	GEHAUSE	CARTER
0124	900338712	RONDELLA	WASHER	UNTERLEGSCHIEBE	RONDELLE
0125	900240982	PULEGGIA	PULLEY	RIEMENSCHIEBE	POULIE
0126	900439633	CATENA	CHAIN	KETTE	CHAINE
0127	900338733	TENDITORE	TIGHTENER	SPANNER	TENDEUR
0128	900343022	PROTEZIONE	SHIELD	ABDECKUNG	PROTECTION
0129	9004-326921	SUPPORTO	SUPPORT	LAGER	SUPPORT
0130	900340202	BLOCCHETTO	BLOCK	BLOCK	BLOC



9201	9005-300321	UTENSILE	TOOL	WERKZEUG	OUTIL
0200	9004-326400	DISCO	DISK	SCHEIBE	DISQUE
0201	90085600174	GUARNIZIONE	SEAL	DICHTUNG	JOINT
0203	9003-01421	BOCCOLA	BUSHING	LAGER	DOUILLE
0204	900336480	FULCRO	FULCRUM	DREHPUNKT	ENTABLURE
0205	9004-327173	SUPPORTO	SUPPORT	LAGER	SUPPORT
0206	900439580	INGRASSATORE	LUBRICATOR	SCHMIERNIPPEL	GRAISSEUR
0207	9004-327271	RONDELLA	WASHER	UNTERLEGSCHIEBE	RONDELLE
0208	900421596	MOLLA	SPRING	FEDER	RESSORT
0209	900237503	UTENSILE	TOOL	WERKZEUG	OUTIL

0206	900439580	INGRASSATORE	LUBRICATOR	SCHMIERNIPPEL	GRAISSEUR
0210	900338417	PATTINO	PAD	GLEITSTCHUH	PATIN
0211	900438416	GUARNIZIONE	SEAL	DICHTUNG	JOINT
0212	9004-327208	PERNO	PIN	ZAPFEN	PIVOT
0213	900437519	MOLLA	SPRING	FEDER	RESSORT
0214	900338461	PERNO	PIN	ZAPFEN	PIVOT
0215	900342356	TIRANTE	STAY ROD	ZUGSTANGE	TIRANT
0216	900243748	BRACCIO	ARM	ARM	BRAS
0217	900238138	FERMO	RETAINER	ANSCHLAG	ARRET
0218	9004-327206	CRICCHETTO	CRICK	SPERRKLINKE	CLIQUET
0219	900338463	BOCCOLA	BUSHING	LAGER	DOUILLE
0220	900442353	BOCCOLA	BUSHING	LAGER	DOUILLE
0221	900443754	MOLLA	SPRING	FEDER	RESSORT
0222	900343755	PEDALE	PEDAL	PEDAL	PEDALE
0223	900443756	CAPPUCCIO	CAP	KAPUZE	CAPUCHON
0224	900243751	FODERO PER MOLLA	SPRING SHEATH	FEDER HUELSE	FOURREAU RESSORT



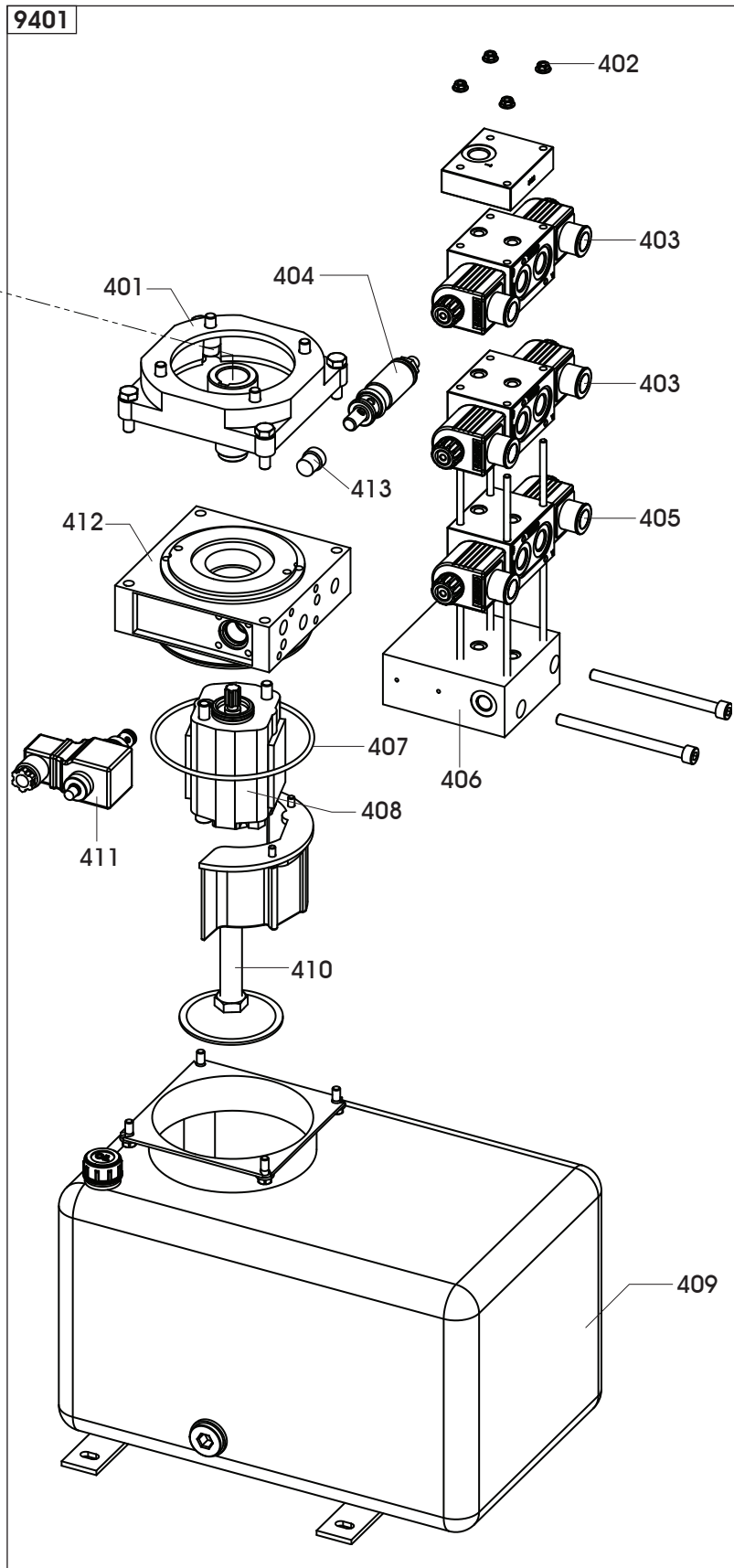
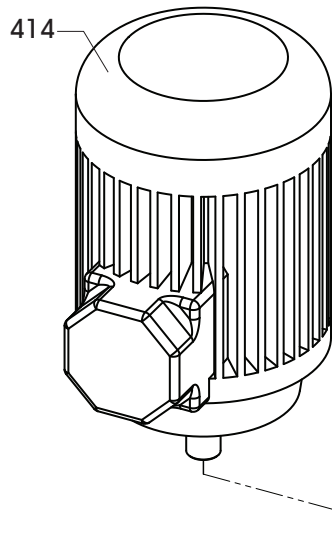
	MOTORE	MOTOR	MOTOR	MOTEUR
0331	9003-01224	380V/3ph/50Hz	380V/3ph/50Hz	380V/3ph/50Hz
0331	9003-01223	230V/3ph/50Hz	230V/3ph/50Hz	230V/3ph/50Hz
0331	9003-01222	230V/3ph/60Hz	230V/3ph/60Hz	230V/3ph/60Hz
0317	900353343	FLANGIA	FLANGE	FLASQUE
0318	900253346	CARTER	CASING	CARTER
0319	900339538	FERMO	RETAINER	ARRET
0320	900338778	RONDELLA	WASHER	RONDELLE
0322	900317275	VITE	SCREW	VIS
0323	900600213	RONDELLA	WASHER	RONDELLE
0326	900353245	CARTER	CASING	CARTER
0327	900355893	PULEGGIA	PULLEY	POULIE
0327	900355896	PULEGGIA	PULLEY	POULIE
0328	900455894	CINGHIA	BELT	COURROIE
0328	900455897	CINGHIA	BELT	COURROIE
0329	900355892	PULEGGIA	PULLEY	POULIE
0333	900601034	CUSCINETTO	BEARING	ROULEMENT
0334	900317281	RONDELLA	WASHER	RONDELLE
0335	900601035	CUSCINETTO	BEARING	ROULEMENT
0336	900317339	RONDELLA	WASHER	RONDELLE
0337	900354875	FLANGIA	FLANGE	FLASQUE
0338	900355937	FLANGIA	FLANGE	FLASQUE
0339	900453344	BRONZINA	BRASS	COUSSINET EN BRONZE

0340	900340985	SUPPORTO	SUPPORT	LAGER	SUPPORT
0341	900259119	BRACCIO	ARM	ARM	BRAS
0342	90085600119	GUARNIZIONE	SEAL	DICHTUNG	JOINT
0343	900355174	ANELLO	RING	RING	ANNEAU
0344	900601162	LINGUETTA	TANG	FEDERKEIL	LANGUETTE
0345	900334160	DISTANZIALE	SPACER	ABSTANDSSTUECK	ENTRETOISE
0346	900321564	SPINOTTO	GUDGEON	KOLBENBOLZEN	GOUJON
0347	900334163	BIELLA	TRACE	PLEUELSTANGE	BIELLE
0348	9004-326301	GRIFFA	JAW	BACKE	MORS
0349	900334156	PIASTRA	SLAB	PLATTE	PLAQUE
0350	900435441	TASSELLO	BLOCK	EINSATZSTUECK	TAMPON
0351	900334164	SPINOTTO	GUDGEON	KOLBENBOLZEN	GOUJON
0352	900341289	CARTER	CASING	GEHAUSE	CARTER
0353	900438592	BRONZINA	BRASS	LAGERBUCHSE	COUSSINET EN BRONZE
0354	900338601	DISCO	DISK	SCHEIBE	DISQUE
0355	900338600	CROCE	CROSS	KREUZ	CROIX
0356	900429406	INGRASSATORE	LUBRICATOR	SCHMIERNIPPEL	GRAISSEUR
0357	900354329	MANDRINO	SPINDLE	SPINDEL	MANDRIN
0358	900334170	RULLO	ROLLER	WALZE	ROULEAU
0359	900334157	PIASTRA	SLAB	PLATTE	PLAQUE
0360	900422041	INTERRUPTORE	SWITCH	SCHALTER	INTERRUPTEUR
0361	900355175	BRONZINA	BRASS	LAGERBUCHSE	COUSSINET EN BRONZE
0362	900354976	RONDELLA	WASHER	UNTERLEGSCHIEBE	RONDELLE
0363	90085604400	GUARNIZIONE	SEAL	DICHTUNG	JOINT

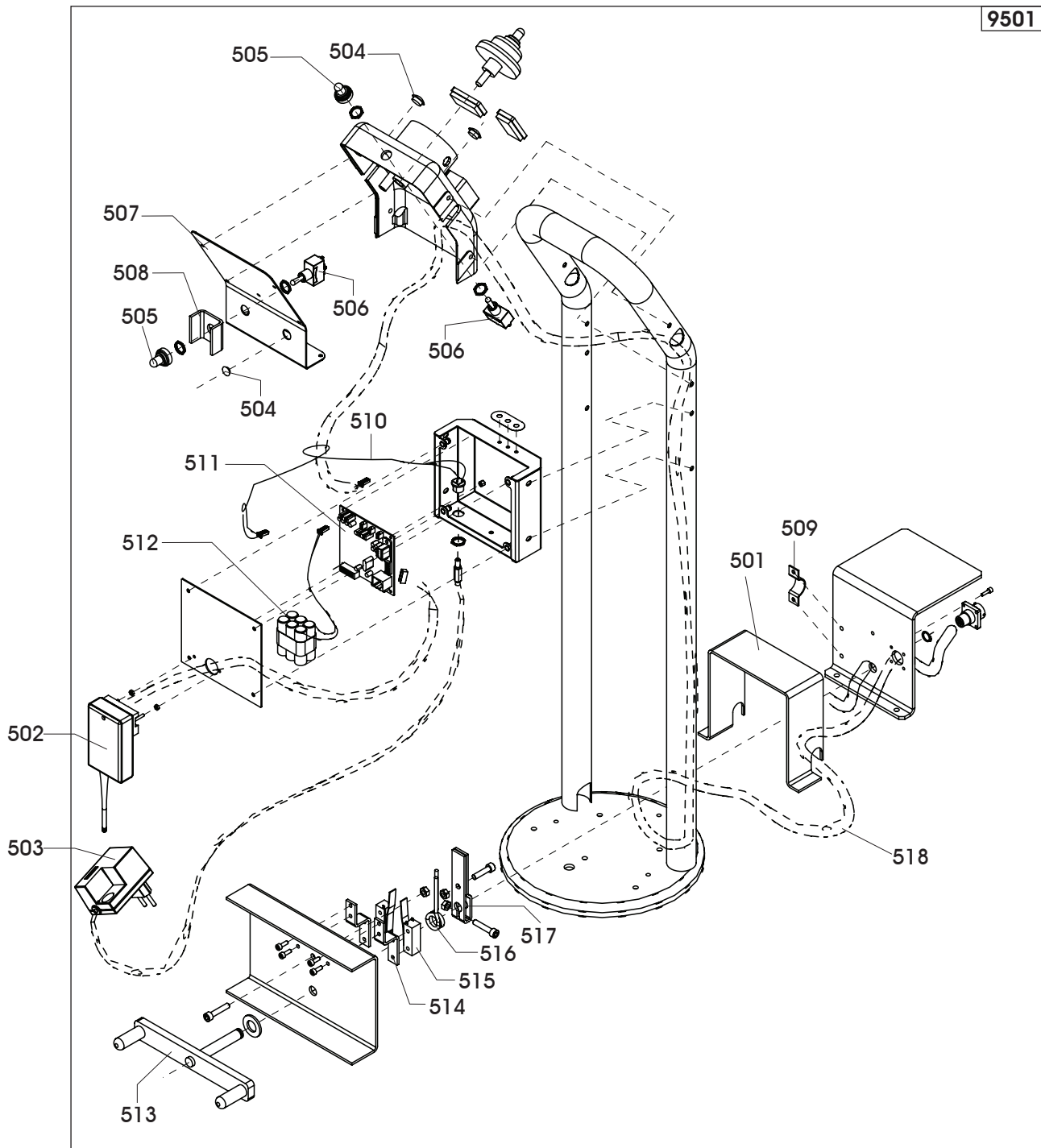
9301	900239119	CILINDRO	CYLINDER	ZYLINDER	CYLINDRE
0301	900335284	VITE	SCREW	SCHRAUBE	VIS
0302	900338777	FLANGIA	FLANGE	FLANSCH	FLASQUE
0303	900440357	TAPPO	PLUG	STOPFEN	BOUCHON
0304	900338710	CILINDRO	CYLINDER	ZYLINDER	CYLINDRE
0305	900335283	PROLUNGA	EXTENSION CORD	VERLAENGERUNG	RALLONGE
0306	900434426	TUBO	PIPE	ROHR	TUYAU
0307	900334204	TIRANTE	STAY ROD	ZUGSTANGE	TIRANT
0308	900338604	STANTUFFO	PISTON	KOLBEN	PISTON
0309	900239118	FLANGIA	FLANGE	FLANSCH	FLASQUE
0310	900338599	STELO	STEM	SCHAFT	TIGE
0311	900322489	PERNO	PIN	ZAPFEN	PIVOT

9302	900239596	DISTRIBUTORE	DISTRIBUTOR	VERTEILER	DISTRIBUTEUR
0312	900440387	DISTRIBUTORE	DISTRIBUTOR	VERTEILER	DISTRIBUTEUR
0313	900459412	VALVOLA	VALVE	VENTIL	VANNE
0314	900441979	MANOMETRO	PRESSURE GAUGE	DRUCKMESSER	MANOMETRE

9303	900260124	KIT TRASFORMAZIONE	TRANSFORMATION KIT	VERWANDLUNGSATZ	KIT TRANSFORMATION
0315	900341541	RUOTA	WHEEL	RAD	ROUE
0316	900354213	COPERCHIO	LID	DECKEL	COUVERCLE
0324	900354881	BOCCOLA	BUSHING	LAGER	DOUILLE
0325	900354876	FLANGIA	FLANGE	FLANSCH	FLASQUE
0330	900455891	CARTER	CASING	GEHAUSE	CARTER
0332	900354212	SCATOLA	BOX	SCHACHTEL	BOITE
0364	900454882	ANELLO	RING	RING	ANNEAU



9401	9005-300288	CENTRALINA 50HZ	POWER PACK 50HZ	STEUERGERAET 50HZ	UNITE DE CONTROLE 50HZ
9401	9005-300342	CENTRALINA 60HZ	POWER PACK 60HZ	STEUERGERAET 60HZ	UNITE DE CONTROLE 60HZ
0401	90086990281	CENTRALINA	POWER PACK	STEUERGERAET	UNITE DE CONTROLE
0404	90086990304	DISTRIBUTORE	DISTRIBUTOR	VERTEILER	DISTRIBUTEUR
0405	90086990303	ELETTROVALVOLA	SOLENOID VALVE	MAGNETVENTIL	SOUPAPE ELECTRIQUE
0406	90086990322	BASE	BASE	BASIS	BASE
0407	90086990318	GUARNIZIONE	SEAL	DICHTUNG	JOINT
0408	90086990317	POMPA 50HZ	PUMP 50HZ	PUMPE 50HZ	POMPE 50HZ
0408	9004-105202	POMPA 60HZ	PUMP 60HZ	PUMPE 60HZ	POMPE 60HZ
0409	90086990320	SERBATOIO	TANK	TANK	RESERVOIR
0410	90086990319	GRUPPO	ASSEMBLY	GRUPPE	GROUPE
0411	90086990297	ELETTROVALVOLA	SOLENOID VALVE	MAGNETVENTIL	SOUPAPE ELECTRIQUE
0412	90086990250	CORPO	BODY	KOERPER	CORPS
0413	90086990315	VALVOLA	VALVE	VENTIL	VANNE
		MOTORE	MOTOR	MOTOR	MOTEUR
0414	900444453	380V/3ph/50Hz	380V/3ph/50Hz	380V/3ph/50Hz	380V/3ph/50Hz
0414	900445570	230V/3ph/60Hz	230V/3ph/60Hz	230V/3ph/60Hz	230V/3ph/60Hz
0414	900445670	230V/3ph/50Hz	230V/3ph/50Hz	230V/3ph/50Hz	230V/3ph/50Hz



9501	9005-300287	MANIPOLATORE	MANIPULATOR	MANIPULATOR	MANIPULATEUR
0501	900355788	CARTER	CASING	GEHAUSE	CARTER
0504	900458119	TAPPO	PLUG	STOPFEN	BOUCHON
0505	900437517	CAPPUCCIO	CAP	KAPUZE	CAPUCHON
0506	900424798	DEVIATORE	SWITCH	SCHALTER	COMMUTATEUR
0507	900355779	COPERCHIO	LID	DECKEL	COUVERCLE
0508	900340779	GUAINA	SHEATH	HUELLE	GAINÉ
0509	900338372	FASCETTA	STRAP	SCHLAUCHSCHELLE	COLLIER
0510	9004-327146	CAVO	CABLE	KABEL	CABLE
0511	9005-300198	SCHEDA ELETTRONICA	P.C. BOARD	ELEKTR. PLATINE	FICHE ELECTR.
0512	9004-327152	BATTERIA	BATTERY	BATTERIE	BATTERIE
0513	900217429	PERNO	PIN	ZAPFEN	PIVOT
0514	900355786	STAFFA	BRACKET	KLAUE	ETRIER
0515	900440874	MICROINTERRUPTORE	MICROSWITCH	MIKROSCHALTER	MICROINTERRUPTEUR
0516	900401270	MOLLA	SPRING	FEDER	RESSORT
0517	900317491	LEVA	LEVER	HEBEL	LEVIER
0518	9004-327073	CAVO	CABLE	KABEL	CABLE

0502 9005-300221 SK ELETTRONICA

P.C. BOARD

ELEKTR. PLATINE

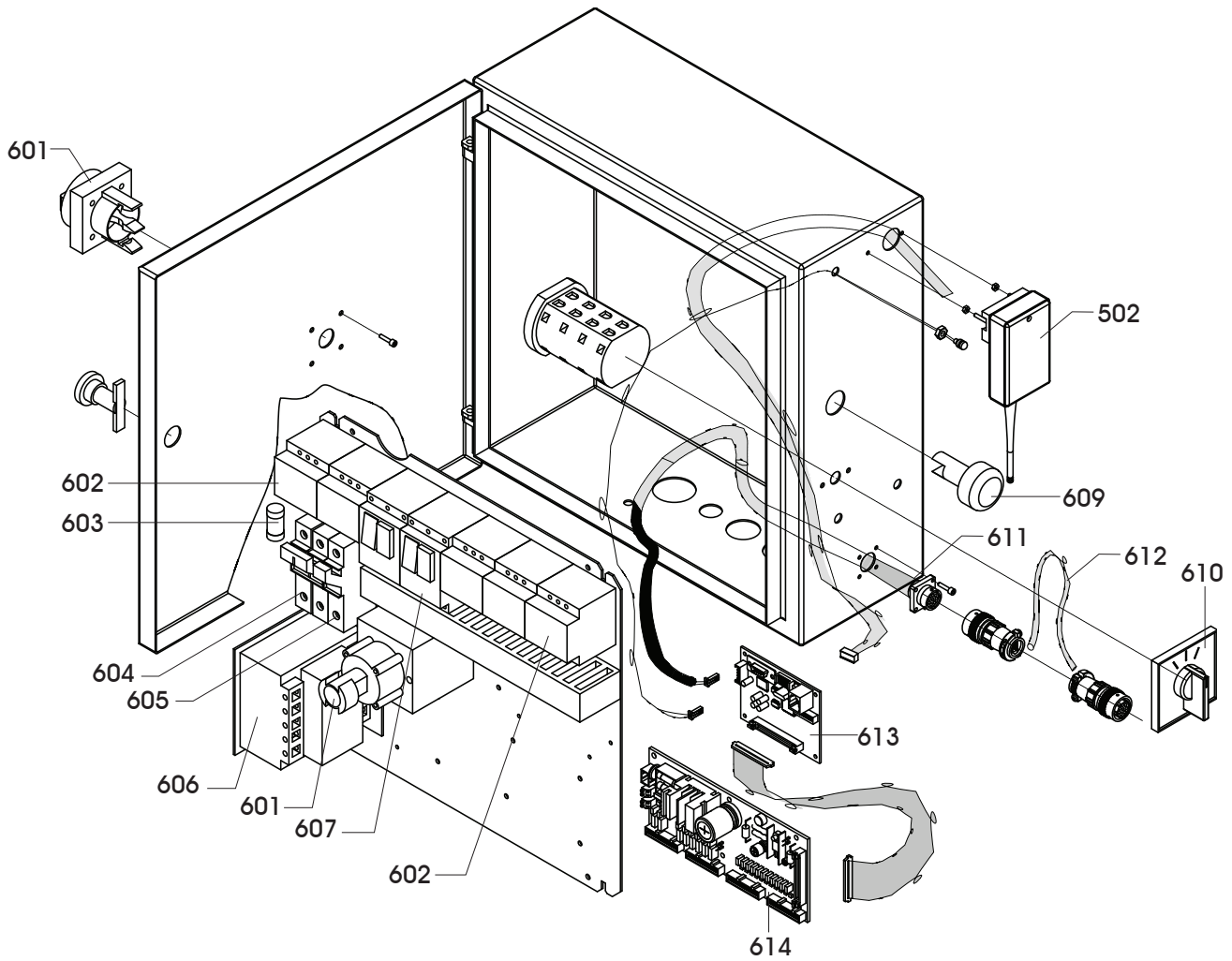
FICHE ELECTR.

0503 9005-300245 CARICABATTERIE

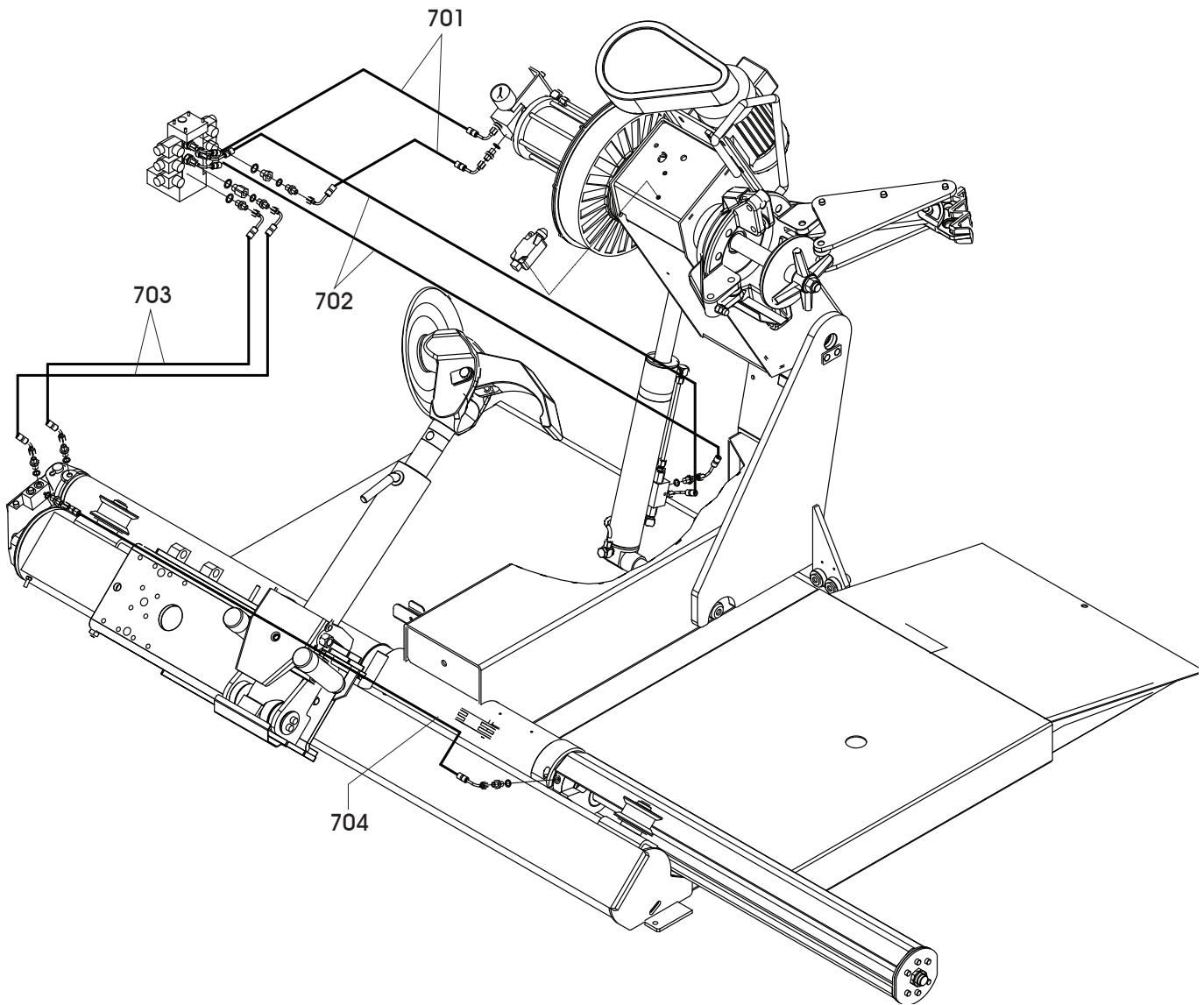
BATTERY CHARGER

BATTERIELADEGERAET

CHARGEUR DE BATT.



0502	9005-300221	SK ELETTRONICA	P.C. BOARD	ELEKTR. PLATINE	FICHE ELECTR.
0601	90084700038	INTERRUTTORE	SWITCH	SCHALTER	INTERRUPTEUR
0602	90084200027	TELERUTTORE	REMOTE SWITCH	FERNASCHALTER	TELERUPTEUR
0602	90084200058	TELERUTTORE	REMOTE SWITCH	FERNASCHALTER	TELERUPTEUR
0603	90084802501	FUSIBILE	FUSE	SICHERUNG	FUSIBLE
0603	90084802502	FUSIBILE	FUSE	SICHERUNG	FUSIBLE
0604	90084990781	SUPPORTO	SUPPORT	LAGER	SUPPORT
0606	90084100056	TRASFORMATORE	TRANSFORMER	TRANSFORMATOR	TRANSFORMATEUR
0608	9004-327260	SPIA	PILOT LAMP	KONTROLLEUCHTE	TEMOIN
0609	900218799	SPIA	PILOT LAMP	KONTROLLEUCHTE	TEMOIN
0610	90084710027	COMMUTATORE	COMMUTATOR	SCHALTER	COMMUTATEUR
0611	9004-327072	CAVO	CABLE	KABEL	CABLE
0612	9004-326886	CAVO	CABLE	KABEL	CABLE
0613	9005-300283	SCHEDA ELETTRONICA	P.C. BOARD	ELEKTR. PLATINE	FICHE ELECTR.
0614	9005-300190	SCHEDA ELETTRONICA	P.C. BOARD	ELEKTR. PLATINE	FICHE ELECTR.



0701	9004-326821	TUBO	PIPE	ROHR	TUYAU
0702	9004-326820	TUBO	PIPE	ROHR	TUYAU
0703	9004-326815	TUBO	PIPE	ROHR	TUYAU
0704	9004-326816	TUBO	PIPE	ROHR	TUYAU

A large rectangular area containing 20 horizontal dotted lines, spaced evenly down the page, intended for writing or drawing.

A large rectangular area containing 20 horizontal dotted lines, spaced evenly down the page, intended for writing or drawing.

Il disegno è realizzato con tutti i particolari ma solo quelli codificati sono forniti come ricambi. L'Azienda si riserva la facoltà di apportare modifiche senza preavviso.



Via per Carpi, n°9 - 42015 Correggio (RE) ITALY
Tel. ++39 0522 639111 - Fax ++39 0522 639150
www.corgi.com - info@corgi.com

The drawing shows all parts but only the coded parts are supplied as spares. The Company reserves the right to make modifications without prior notice.

COMM - Cod. 4-327961 - Rif. Poz. 901000410 - 11/05.