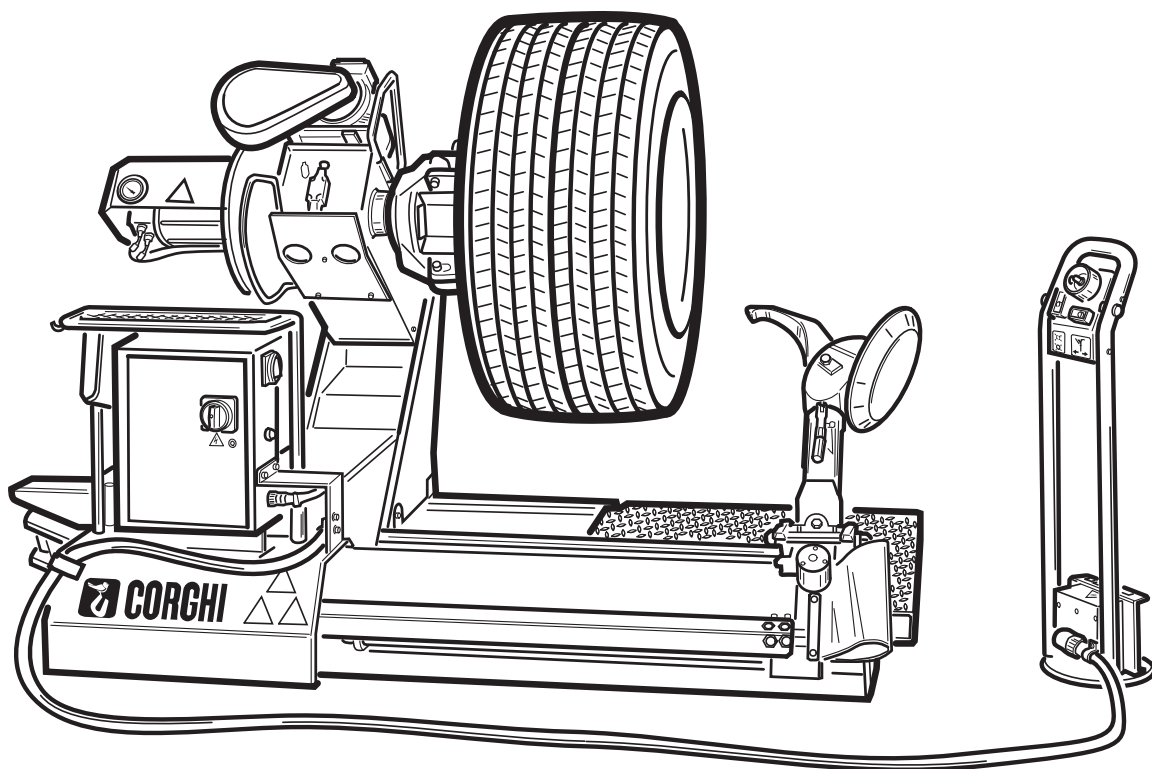


Questo libretto non autorizza l'utente ad intervenire sulle macchine ad esclusione di quanto esplicitamente descritto nel Manuale d'uso, ma consente all'utente di fornire informazioni precise all'Assistenza tecnica, al fine di ridurre i tempi di intervento.

AG 52 L (2006)

The "Spare parts" booklet does not authorize the user to carry out work on the machine unless expressly specified in the instruction manual, but does enable him to provide accurate information to the assistance service in order to reduce downtime.

PEZZI DI RICAMBIO SPARE PARTS LIST ERSATZTEILLISTE PIECES DE RECHANGE



Code

4-328386

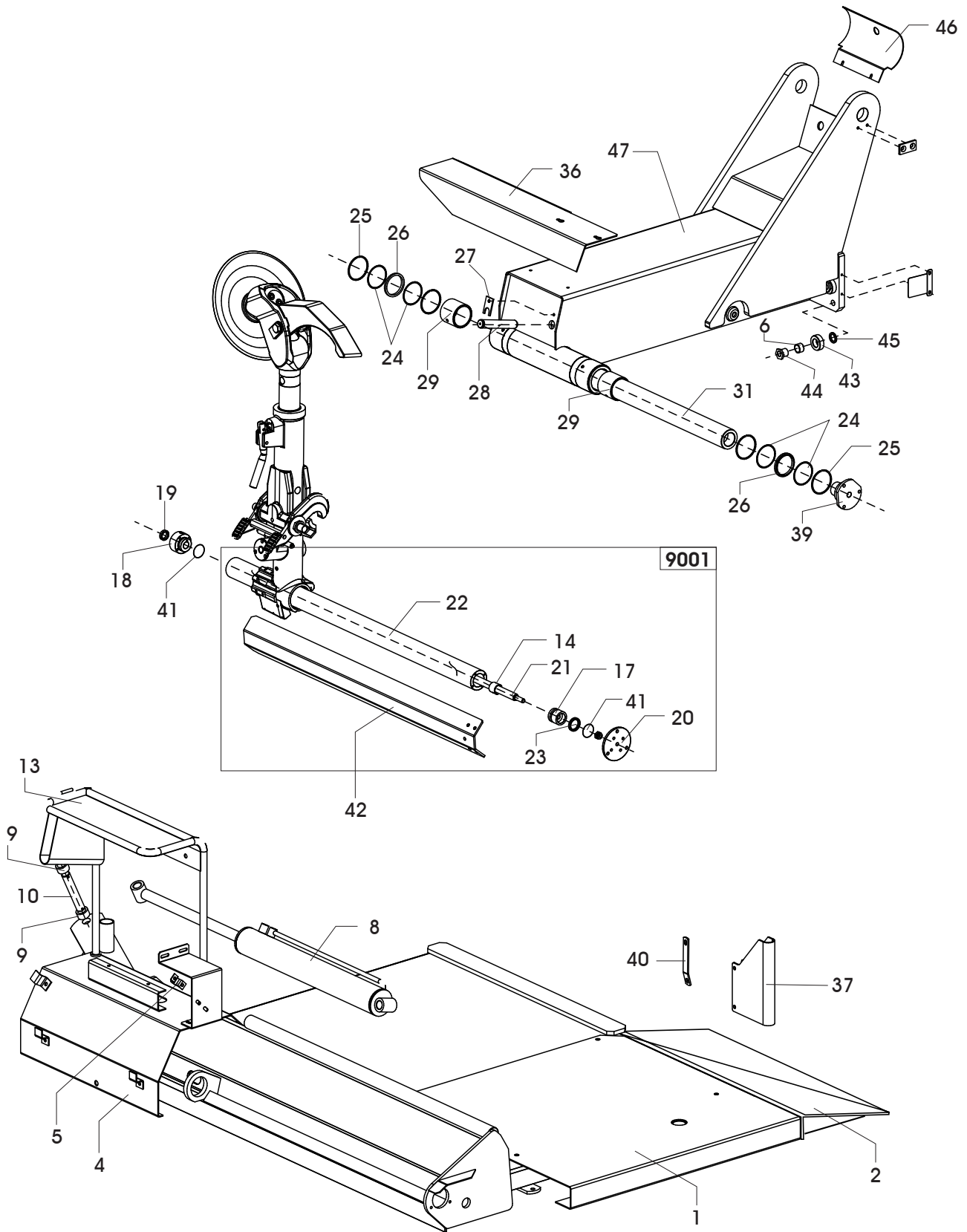
Production from

03 / 06

Der Katalog Ersatzteile stellt keine Genehmigung zu eigenmächtigen Eingriffen dar (mit Ausnahme jener im Handbuch beschriebenen), sondern soll den Anwender in die Lage versetzen, dem technischen Service präzise Informationen zu liefern, um die Reparaturzeiten zu verkürzen.



Le livret "Pièces de rechange", n'autorise pas l'utilisateur à intervenir sur les machines, sauf pour tout ce qui est clairement décrit dans le manuel d'utilisation, mais lui permet de fournir des informations précises à l'assistance technique, afin de diminuer les délais d'intervention.

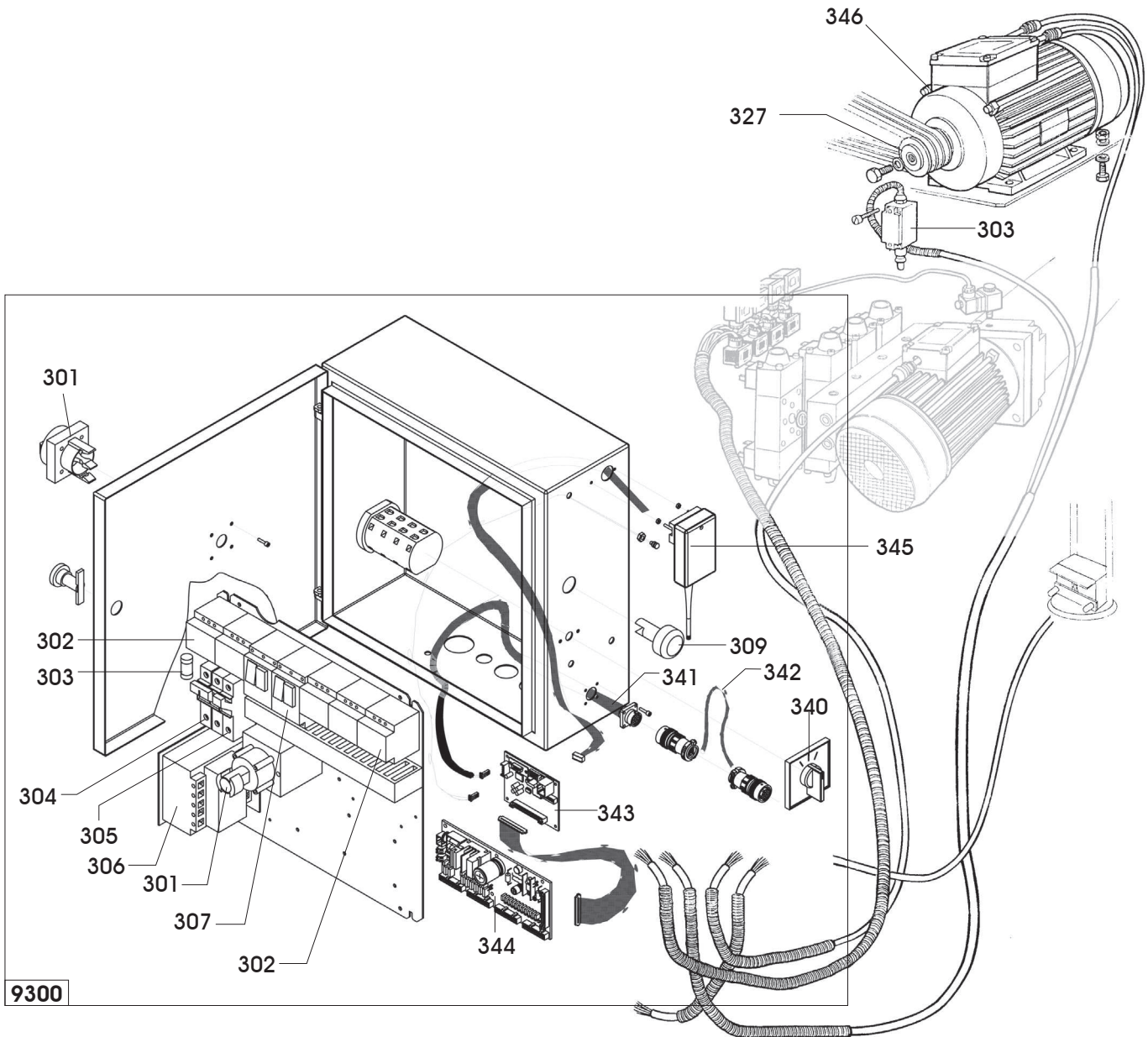


0001	900237497	PEDANA	PLATFORM	PLATTFORM	PLATE-FORME
0002	900237494	RAMPA	RAMP	RAMPE	RAMPE
0004	900235458	LAMIERA	METAL SHEET	BLECH	TOLE
0005	900338372	FASCETTA	STRAP	SCHLAUCHSCHELLE	COLLIER
0006	900438756	BOCCOLA	BUSHING	LAGER	DOUILLE
0007	900334422	PERNO	PIN	ZAPFEN	PIVOT
0008	900234451	CILINDRO	CYLINDER	ZYLINDER	CYLINDRE
0009	900317421	TUBO	PIPE	ROHR	TUYAU
0010	900317425	SPINOTTO	GUDGEON	KOLBENBOLZEN	GOUJON
0013	900334842	RETTANGOLO	RECTANGLE	RECHTECK	RECTANGLE
0018	900348587	FLANGIA	FLANGE	FLANSCH	FLASQUE
0019	900422702	GUARNIZIONE	SEAL	DICHTUNG	JOINT
0024	900319510	RONDELLA	WASHER	UNTERLEGSCHLEIBE	RONDELLE
0025	900417822	ANELLO	RING	RING	ANNEAU
0026	900417823	ANELLO	RING	RING	ANNEAU
0027	900321834	FERMO	RETAINER	ANSCHLAG	ARRET
0029	900434310	BRONZINA	BRASS	LAGERBUCHSE	COUSSINET EN BRONZE
0031	900322973	PERNO	PIN	ZAPFEN	PIVOT
0036	900346350	PROTEZIONE	SHIELD	ABDECKUNG	PROTECTION
0039	900322972	FLANGIA	FLANGE	FLANSCH	FLASQUE
0040	900346347	PROTEZIONE	SHIELD	ABDECKUNG	PROTECTION
0041	900430291	GUARNIZIONE	SEAL	DICHTUNG	JOINT
0042	900261073	PROFILATO	METAL SECTION	FORMEISEN	PROFILE
0043	900338753	ROTELLA	WHEEL	RAEDCHEN	ROULETTE
0044	900338752	PERNO	PIN	ZAPFEN	PIVOT
0045	900338755	RONDELLA	WASHER	UNTERLEGSCHLEIBE	RONDELLE
0046	900342409	PROTEZIONE	SHIELD	ABDECKUNG	PROTECTION
0047	9005-100768	CARRELLO	TROLLEY	WAGEN	CHARIOT

9001	900248588	CILINDRO	CYLINDER	ZYLINDER	CYLINDRE
0014	900321787	DISTANZIALE	SPACER	ABSTANDSSTUECK	ENTRETOISE
0017	900321786	STANTUFFO	PISTON	KOLBEN	PISTON
0020	900348586	FLANGIA	FLANGE	FLANSCH	FLASQUE
0022	900348585	TUBO	PIPE	ROHR	TUYAU
0021	900336116	PERNO	PIN	ZAPFEN	PIVOT
0023	900421832	GUARNIZIONE	SEAL	DICHTUNG	JOINT
0041	900430291	GUARNIZIONE	SEAL	DICHTUNG	JOINT

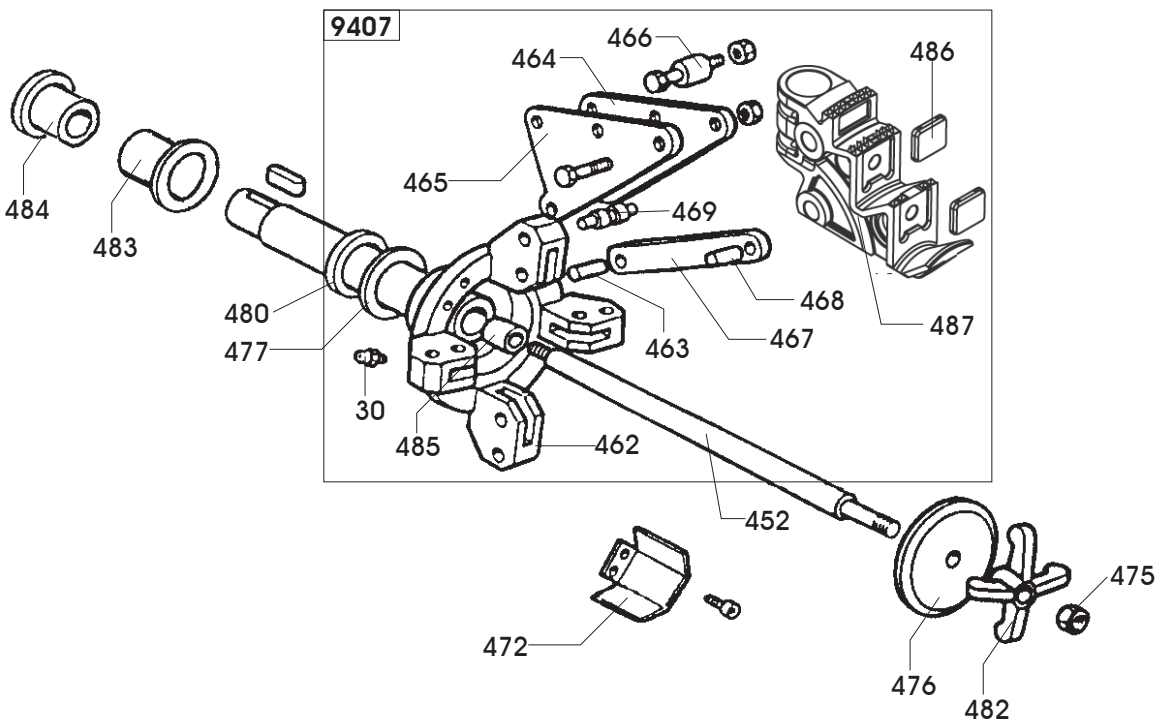
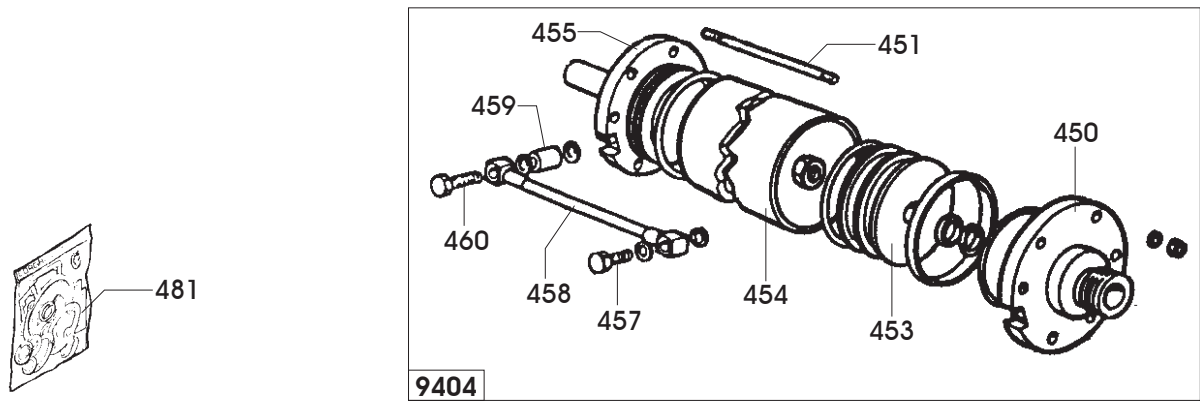
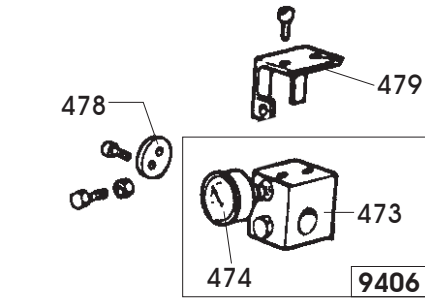
9101	9005-300321	UTENSILE	TOOL	WERKZEUG	OUTIL
0101	9003-01421	BOCCOLA	BUSHING	LAGER	DOUILLE
0102	900421596	MOLLA	SPRING	FEDER	RESSORT
0103	9004-326400	DISCO	DISK	SCHEIBE	DISQUE
0104	90085600174	GUARNIZIONE	SEAL	DICHTUNG	JOINT
0108	9004-327173	SUPPORTO	SUPPORT	LAGER	SUPPORT
0109	900237503	UTENSILE	TOOL	WERKZEUG	OUTIL
0110	900336480	FULCRO	FULCRUM	DREHPUNKT	ENTABLURE
0130	9004-327271	RONDELLA	WASHER	UNTERLEGSCHIEBE	RONDELLE

9103	900249600	ASTUCCIO	BOX	ETUI	ETUI
0111	900336467	LEVA	LEVER	HEBEL	LEVIER
0112	900336469	BIELLA	TRACE	PLEUELSTANGE	BIELLE
0113	900447828	GUARNIZIONE	SEAL	DICHTUNG	JOINT
0114	900336468	MANIGLIA	HANDLE	HANDGRIFF	POIGNEE
0115	900321798	CRICCHETTO	CRICK	SPERRKLINKE	CLIQUET
0116	900436490	MOLLA	SPRING	FEDER	RESSORT
0118	900236462	FODERO PER MOLLA	SPRING SHEATH	FEDER HUELSE	FOURREAU RESSORT
0119	900338295	PERNO	PIN	ZAPFEN	PIVOT
0120	900338293	GANCIO	HOOK	HAKEN	CROCHET
0121	900337037	CRICCHETTO	CRICK	SPERRKLINKE	CLIQUET
0122	900338294	PERNO	PIN	ZAPFEN	PIVOT
0123	900421828	MOLLA	SPRING	FEDER	RESSORT
0124	900236470	TUBO	PIPE	ROHR	TUYAU
0125	900344893	SLITTA	SLIDE	SCHLITTEN	CHARIOT
0126	900437519	MOLLA	SPRING	FEDER	RESSORT
0127	900247831	ASTUCCIO	BOX	ETUI	ETUI
0131	900321790	BOCCOLA	BUSHING	LAGER	DOUILLE



	MOTORE 2V	MOTOR 2SPEED	MOTOREN	MOTEUR
0346 9003-01217	230V 3ph 50Hz	220V 3ph 50Hz	220V 3ph 50Hz	220V 3ph 50Hz
0346 9003-01216	230V 3ph 60Hz	220V 3ph 60Hz	220V 3ph 60Hz	220V 3ph 60Hz
0346 9003-01219	400V 3ph 50Hz	380V 3ph 50Hz	380V 3ph 50Hz	380V 3ph 50Hz
0346 9003-01218	400V 3ph 60Hz	380V 3ph 60Hz	380V 3ph 60Hz	380V 3ph 60Hz
0303 900422041	INTERRUTTORE	SWITCH	SCHALTER	INTERRUPTEUR
0327 900355892	PULEGGIA	PULLEY	RIEMENSCHLEIBE	POULIE
0345 9005-300501	SK ELETTRONICA	P.C. BOARD	ELEKTR. PLATINE	FICHE ELECTR.

	IMPIANTO ELETTRICO	ELECTRIC SYSTEM	ELEKTRISCHE ANLAGE	INSTALL. ELECTRIQUE
9300 9005-300307	400V 3ph 50-60Hz	400V 3ph 50-60Hz	400V 3ph 50-60Hz	400V 3ph 50-60Hz
9300 9005-300324	230V 3ph 50-60Hz	230V 3ph 50-60Hz	230V 3ph 50-60Hz	230V 3ph 50-60Hz
0331 90084700038	INTERRUTTORE	SWITCH	SCHALTER	INTERRUPTEUR
0332 90084200027	TELERUTTORE	REMOTE SWITCH	FERNASCHALTER	TELERUPTEUR
0332 90084200058	TELERUTTORE	REMOTE SWITCH	FERNASCHALTER	TELERUPTEUR
0333 90084802501	FUSIBILE	FUSE	SICHERUNG	FUSIBLE
0333 90084802502	FUSIBILE	FUSE	SICHERUNG	FUSIBLE
0334 90084990781	SUPPORTO	SUPPORT	LAGER	SUPPORT
0336 90084100056	TRASFORMATORE	TRANSFORMER	TRANSFORMATOR	TRANSFORMATEUR
0338 9004-327260	SPIA	PILOT LAMP	KONTROLLEUCHE	TEMOIN
0339 900218799	SPIA	PILOT LAMP	KONTROLLEUCHE	TEMOIN
0340 90084710027	COMMUTATORE	COMMUTATOR	SCHALTER	COMMUTATEUR
0341 9004-327072	CAVO	CABLE	KABEL	CABLE
0342 9004-326886	CAVO	CABLE	KABEL	CABLE
0343 9005-300308	SCHEDA ELETTRONICA	P.C. BOARD	ELEKTR. PLATINE	FICHE ELECTR.
0344 9005-300190	SCHEDA ELETTRONICA	P.C. BOARD	ELEKTR. PLATINE	FICHE ELECTR.

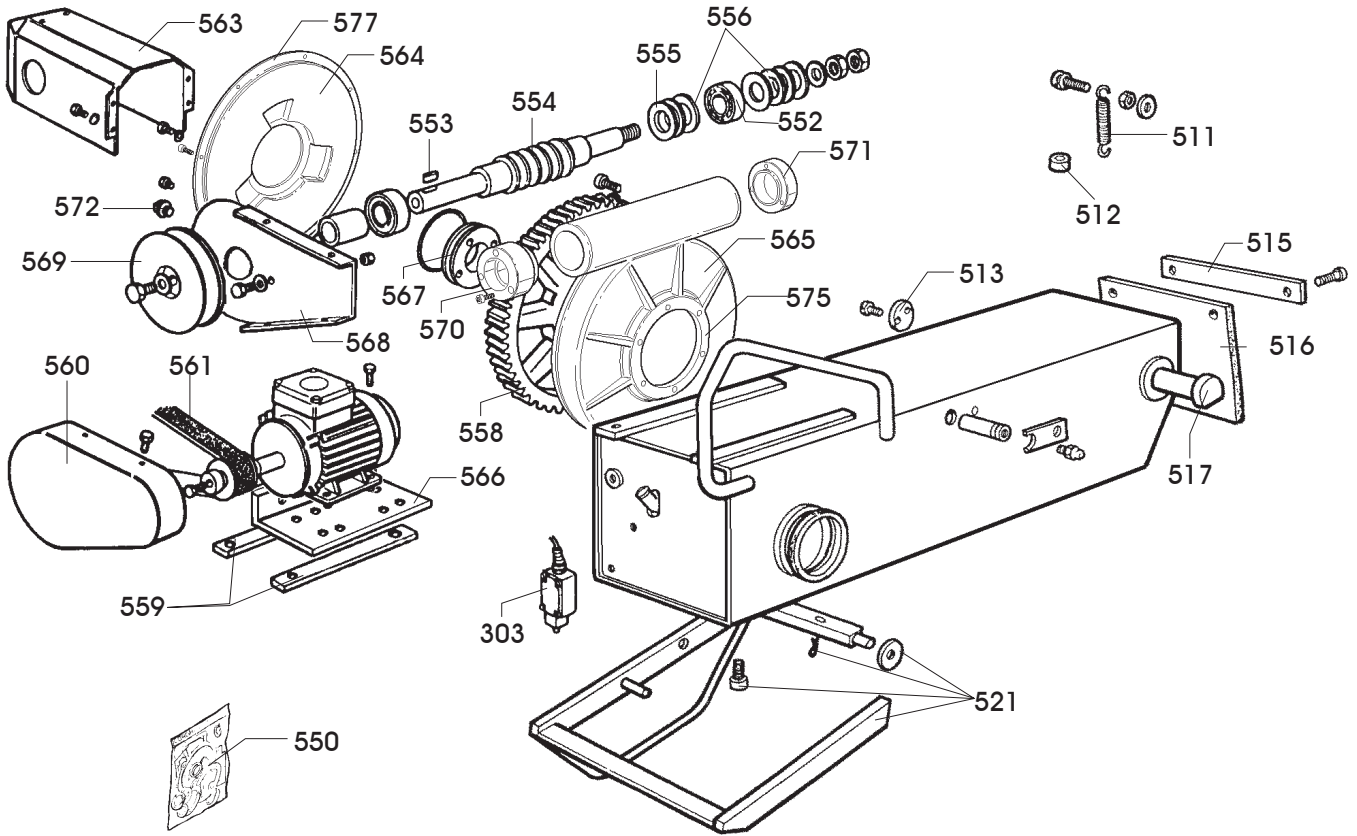


9404 900239119	CILINDRO	CYLINDER	ZYLINDER	CYLINDRE
0450 900239118	FLANGIA	FLANGE	FLANSCH	FLASQUE
0451 900334204	TIRANTE	STAY ROD	ZUGSTANGE	TIRANT
0452 900338599	STELO	STEM	SCHAFT	TIGE
0453 900338604	STANTUFFO	PISTON	KOLBEN	PISTON
0454 900338710	CILINDRO	CYLINDER	ZYLINDER	CYLINDRE
0455 900338777	FLANGIA	FLANGE	FLANSCH	FLASQUE
0456 900440357	TAPPO	PLUG	STOPFEN	BOUCHON
0457 900322489	PERNO	PIN	ZAPFEN	PIVOT
0458 900434426	TUBO	PIPE	ROHR	TUYAU
0459 900335283	PROLUNGA	EXTENSION CORD	VERLAENGERUNG	RALLONGE
0460 900335284	VITE	SCREW	SCHRAUBE	VIS

9406 900239596	DISTRIBUTORE	DISTRIBUTOR	VERTEILER	DISTRIBUTEUR
0473 900440387	DISTRIBUTORE	DISTRIBUTOR	VERTEILER	DISTRIBUTEUR
0474 900441979	MANOMETRO	PRESSURE GAUGE	DRUCKMESSER	MANOMETRE

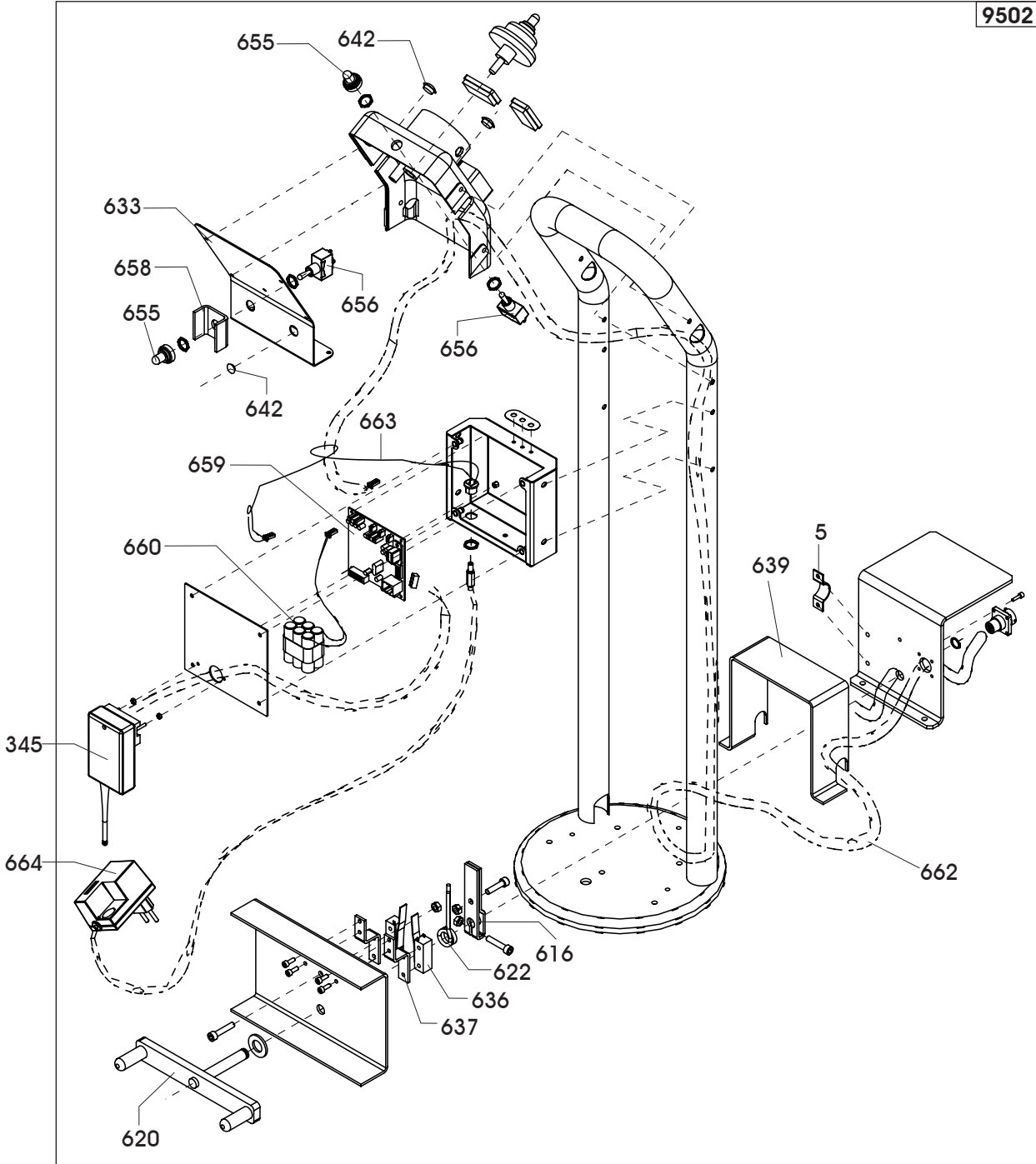
9407 9005-300330	AUTOCENTRANTE	TURNTABLE	SPANNFUTTER	PLATEAU AUTOCENT:
0030 900429406	INGRASSATORE	LUBRICATOR	SCHMIERNIPPEL	GRAISSEUR
0462 900354329	MANDRINO	SPINDLE	SPINDEL	MANDRIN
0463 900321564	SPINOTTO	GUDGEON	KOLBENBOLZEN	GOUJON
0464 900334156	PIASTRA	SLAB	PLATTE	PLAQUE
0465 900334157	PIASTRA	SLAB	PLATTE	PLAQUE
0466 900334160	DISTANZIALE	SPACER	ABSTANDSSTUECK	ENTRETOISE
0467 900334163	BIELLA	TRACE	PLEUELSTANGE	BIELLE
0468 900334164	SPINOTTO	GUDGEON	KOLBENBOLZEN	GOUJON
0469 900334170	RULLO	ROLLER	WALZE	ROULEAU
0486 900435441	TASSELLO	BLOCK	EINSATZSTUECK	TAMPON
0487 9004-326301	GRIFFA	JAW	BACKE	MORS

0472 900341289	CARTER	CASING	GEHAUSE	CARTER
0475 900338600	CROCE	CROSS	KREUZ	CROIX
0476 900338601	DISCO	DISK	SCHEIBE	DISQUE
0477 900355174	ANELLO	RING	RING	ANNEAU
0478 900338778	RONDELLA	WASHER	UNTERLEGSCHEIBE	RONDELLE
0479 900339538	FERMO	RETAINER	ANSCHLAG	ARRET
0480 900354976	RONDELLA	WASHER	UNTERLEGSCHEIBE	RONDELLE
0481 900242012	KIT GUARNIZIONI	SEALS KIT	DICHTUNGSATZ	KIT JOINTS
0482 900691674	DADO	NUT	MUTTER	ECROU
0483 900355175	BRONZINA	BRASS	LAGERBUCHSE	COUSSINET EN BRONZE
0484 900453344	BRONZINA	BRASS	LAGERBUCHSE	COUSSINET EN BRONZE
0485 900438592	BRONZINA	BRASS	LAGERBUCHSE	COUSSINET EN BRONZE
0486 900435441	TASSELLO	BLOCK	EINSATZSTUECK	TAMPON
0487 9004-326301	GRIFFA	JAW	BACKE	MORS

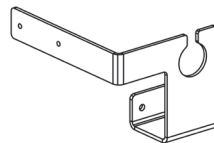
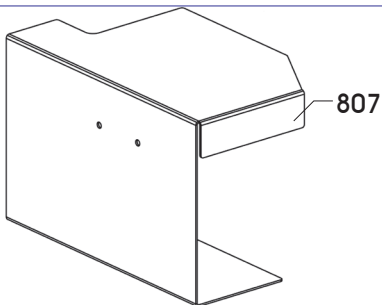
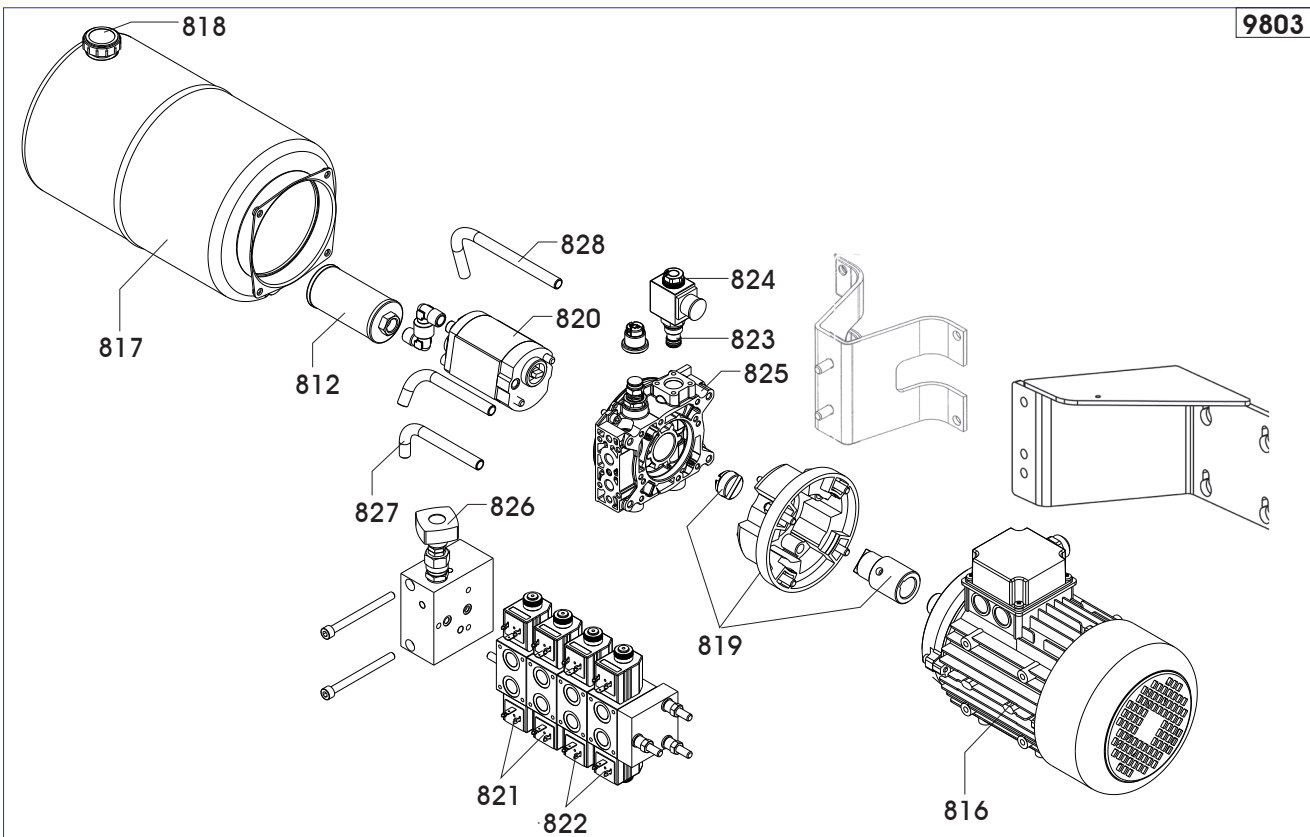
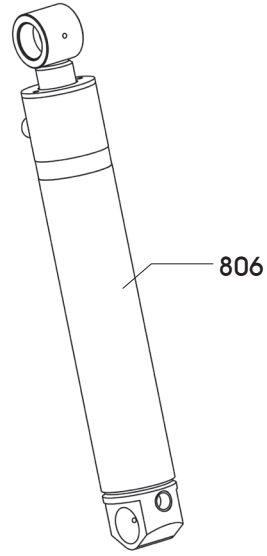
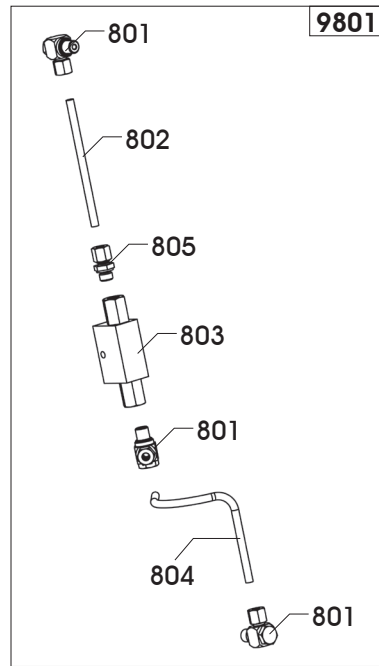


0511	900417834	MOLLA	SPRING	FEDER	RESSORT
0512	900305022	DISTANZIALE	SPACER	ABSTANDSSTUECK	ENTRETOISE
0513	900341681	RONDELLA	WASHER	UNTERLEGSCHEIBE	RONDELLE
0515	900346349	SUPPORTO	SUPPORT	LAGER	SUPPORT
0516	900346348	PROTEZIONE	SHIELD	ABDECKUNG	PROTECTION
0517	900346390	PERNO	PIN	ZAPFEN	PIVOT
0521	900220127	PEDALE	PEDAL	PEDAL	PEDALE
0550	900242013	KIT GUARNIZIONI	SEALS KIT	DICHTUNGSATZ	KIT JOINTS
0551	900354881	BOCCOLA	BUSHING	LAGER	DOUILLE
0552	900601034	CUSCINETTO	BEARING	LAGER	ROULEMENT
0553	900600716	LINGUETTA	TANG	FEDERKEIL	LANGUETTE
0554	900317275	VITE	SCREW	SCHRAUBE	VIS
0555	900317281	RONDELLA	WASHER	UNTERLEGSCHEIBE	RONDELLE
0556	900601035	CUSCINETTO	BEARING	LAGER	ROULEMENT
0558	900341541	RUOTA	WHEEL	RAD	ROUE
0559	900340985	SUPPORTO	SUPPORT	LAGER	SUPPORT
0560	900455891	CARTER	CASING	GEHAUSE	CARTER
0561	900455894	CINGHIA	BELT	RIEMEN	COURROIE
0561	900455897	CINGHIA	BELT	RIEMEN	COURROIE
0563	900253346	CARTER	CASING	GEHAUSE	CARTER
0564	900354213	COPERCHIO	LID	DECKEL	COUVERCLE
0565	900354212	SCATOLA	BOX	SCHACHTEL	BOITE
0566	900355937	FLANGIA	FLANGE	FLANSCH	FLASQUE
0567	900353343	FLANGIA	FLANGE	FLANSCH	FLASQUE
0568	900353245	CARTER	CASING	GEHAUSE	CARTER
0569	900355893	PULEGGIA	PULLEY	RIEMENSCHLEIBE	POULIE
0570	900354876	FLANGIA	FLANGE	FLANSCH	FLASQUE
0571	900354875	FLANGIA	FLANGE	FLANSCH	FLASQUE
0572	900447643	INDICATORE	STATUS LIGHT	ANZEIGER	INDICATEUR
0574	900602213	CUSCINETTO	BEARING	LAGER	ROULEMENT
0575	900358951	GUARNIZIONE	SEAL	DICHTUNG	JOINT
0576	900259119	BRACCIO	ARM	ARM	BRAS
0577	900454882	ANELLO	RING	RING	ANNEAU

9502



9502	9005-300287	MANIPOLATORE	MANIPULATOR	MANIPULATOR	MANIPULATEUR
0005	900338372	FASCETTA	STRAP	SCHLAUCHSCHELLE	COLLIER
0616	900317491	LEVA	LEVER	HEBEL	LEVIER
0620	900217479	PEDALE	PEDAL	PEDAL	PEDALE
0622	900401270	MOLLA	SPRING	FEDER	RESSORT
0633	900355779	COPERCHIO	LID	DECKEL	COUVERCLE
0636	900440874	MICROINTERRUTTORE	MICROSWITCH	MIKROSCHALTER	MICROINTERRUPTEUR
0637	900355786	STAFFA	BRACKET	KLAUE	ETRIER
0639	900355788	CARTER	CASING	GEHAUSE	CARTER
0642	900458119	TAPPO	PLUG	STOPFEN	BOUCHON
0655	900437517	CAPPUCCIO	CAP	KAPUZE	CAPUCHON
0656	900424798	DEVIATORE	SWITCH	SCHALTER	COMMUTATEUR
0658	900340747	PROTEZIONE	SHIELD	ABDECKUNG	PROTECTION
0659	9005-300514	SCHEDA ELETTRONICA	P.C. BOARD	ELEKTR. PLATINE	FICHE ELECTR.
0660	9004-327152	BATTERIA	BATTERY	BATTERIE	BATTERIE
0662	9004-327073	CAVO	CABLE	KABEL	CABLE
0663	9004-327146	CAVO	CABLE	KABEL	CABLE
0345	9005-300501	SK ELETTRONICA	P.C. BOARD	ELEKTR. PLATINE	FICHE ELECTR.
0664	9005-300245	CARICABATTERIE	BATTERY CHARGER	BATTERIELADEGERAET	CHARGEUR DE BATT.



9801	9005-100770	VALVOLA	VALVE	VENTIL	VANNE
0801	90086200066	RACCORDO	CONNECTOR	ANSCHLUSS	RACCORD
0802	9004-326971	TUBO	PIPE	ROHR	TUYAU
0803	900454414	VALVOLA	VALVE	VENTIL	VANNE
0804	9004-326972	TUBO	PIPE	ROHR	TUYAU
0805	900455369	RACCORDO	CONNECTOR	ANSCHLUSS	RACCORD

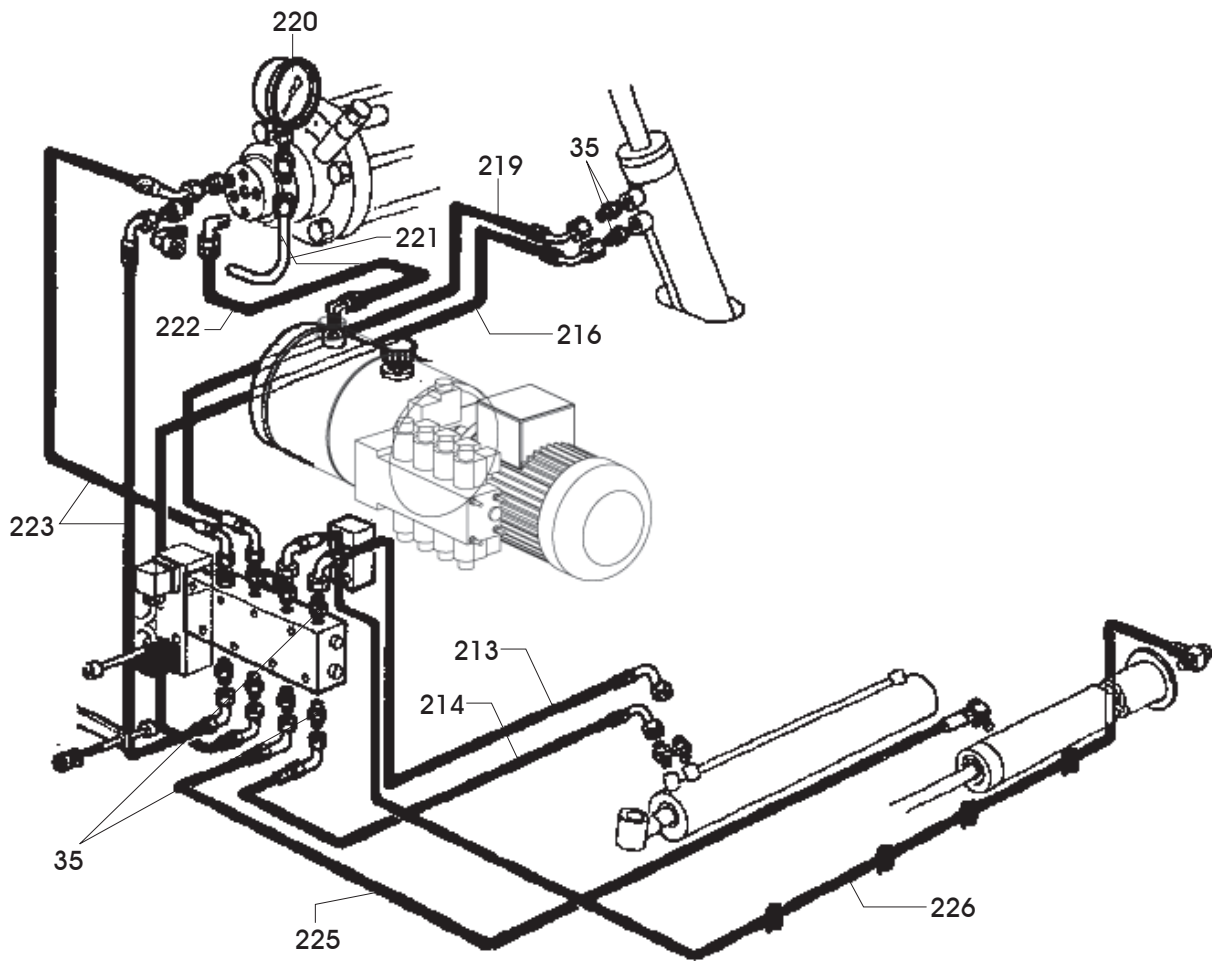
0806	9004-326641	CILINDRO	CYLINDER	ZYLINDER	CYLINDRE
0807	9004-327619	CARTER	CASING	GEHAUSE	CARTER

230/400V 50HZ

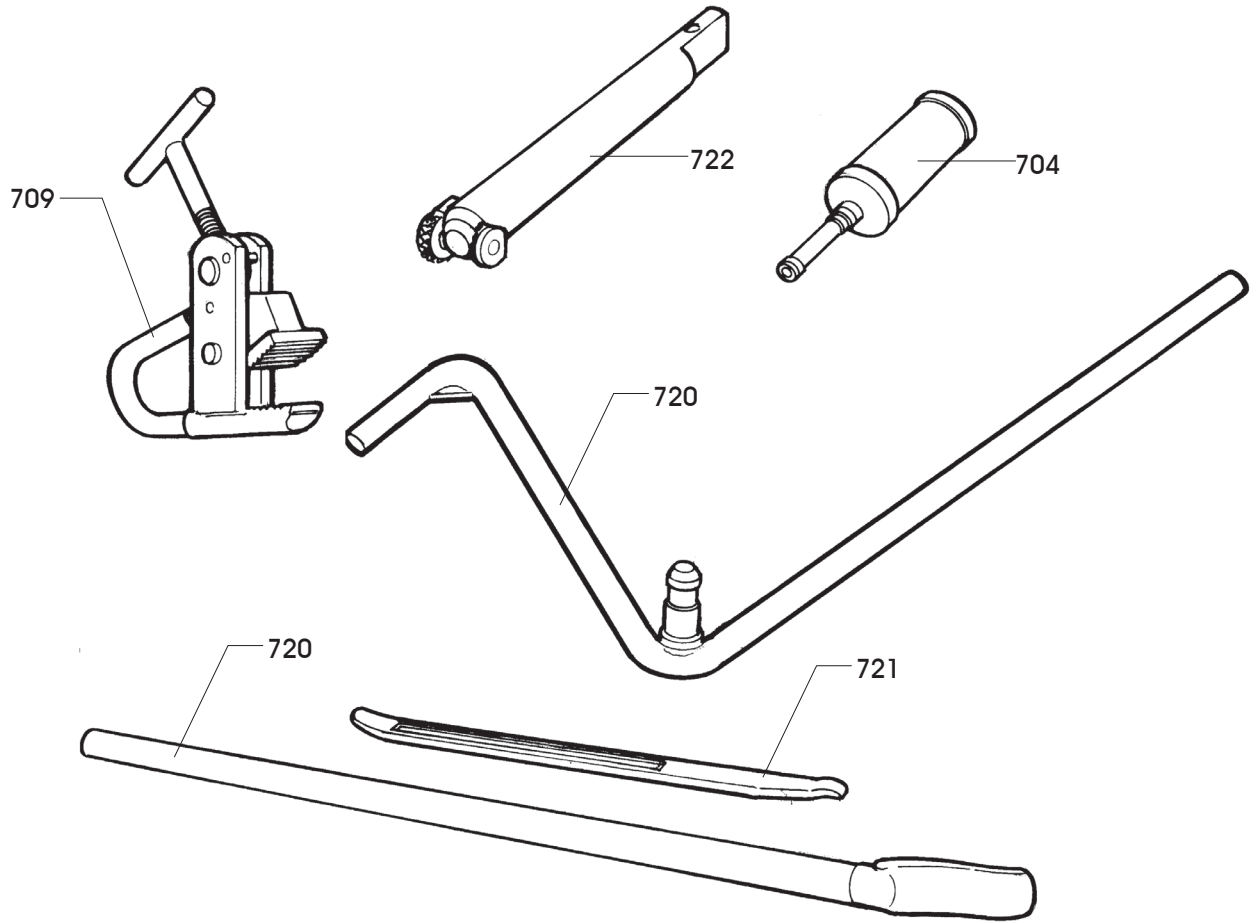
9803	9005-300388	CENTRALINA	POWER PACK	STEUERGERAET	UNITE DE CONTROLE
0812	900451493	FILTRO	FILTER	FILTER	FILTRE
0816	900430648	MOTORE	MOTOR	MOTOR	MOTEUR
0817	900458086	SERBATOIO	TANK	TANK	RESERVOIR
0818	900449976	TAPPO	PLUG	STOPFEN	BOUCHON
0819	90086990349	KIT MOTORE	MOTOR KIT		KIT MOTEUR
0820	90086990338	POMPA	PUMP	PUMPE	POMPE
0821	90086990340	DISTRIBUTORE	DISTRIBUTOR	VERTEILER	DISTRIBUTEUR
0822	90086990341	DISTRIBUTORE	DISTRIBUTOR	VERTEILER	DISTRIBUTEUR
0823	90086990336	VALVOLA	VALVE	VENTIL	VANNE
0824	90086990346	BOBINA	COIL	SPULE	BOBINE
0825	90086990334	BLOCCHETTO	BLOCK	BLOCK	BLOC
0826	90086990350	VALVOLA	VALVE	VENTIL	VANNE
0827	90086990347	TUBO	PIPE	ROHR	TUYAU
0828	90086990348	TUBO	PIPE	ROHR	TUYAU

230/400V 60HZ

9803	9005-300488	CENTRALINA	POWER PACK	STEUERGERAET	UNITE DE CONTROLE
0812	900451493	FILTRO	FILTER	FILTER	FILTRE
0816	900430651	MOTORE	MOTOR	MOTOR	MOTEUR
0817	900458086	SERBATOIO	TANK	TANK	RESERVOIR
0818	900449976	TAPPO	PLUG	STOPFEN	BOUCHON
0819	90086990349	KIT MOTORE	MOTOR KIT		KIT MOTEUR
0820	90086990342	POMPA	PUMP	PUMPE	POMPE
0821	90086990340	DISTRIBUTORE	DISTRIBUTOR	VERTEILER	DISTRIBUTEUR
0822	90086990341	DISTRIBUTORE	DISTRIBUTOR	VERTEILER	DISTRIBUTEUR
0823	90086990336	VALVOLA	VALVE	VENTIL	VANNE
0824	90086990346	BOBINA	COIL	SPULE	BOBINE
0825	90086990334	BLOCCHETTO	BLOCK	BLOCK	BLOC
0826	90086990350	VALVOLA	VALVE	VENTIL	VANNE
0827	90086990347	TUBO	PIPE	ROHR	TUYAU
0828	90086990348	TUBO	PIPE	ROHR	TUYAU



0213	900435425	TUBO	PIPE	ROHR	TUYAU
0214	900434243	TUBO	PIPE	ROHR	TUYAU
0216	900434241	TUBO	PIPE	ROHR	TUYAU
0219	900434242	TUBO	PIPE	ROHR	TUYAU
0220	900434478	MANOMETRO	PRESSURE GAUGE	DRUCKMESSER	MANOMETRE
0221	900334427	TUBO	PIPE	ROHR	TUYAU
0223	900434239	TUBO	PIPE	ROHR	TUYAU
0225	900434245	TUBO	PIPE	ROHR	TUYAU
0226	900436110	TUBO	PIPE	ROHR	TUYAU



0701	900219244	PINZA	PLIERS	ZANGE	PINCE
0703	900418785	FERMO	RETAINER	ANSCHLAG	ARRET
0704	900435443	INGRASSATORE	LUBRICATOR	SCHMIERNIPPEL	GRAISSEUR
0709	900217617	LEVA	LEVER	HEBEL	LEVIER
0720	900236906	LEVA	LEVER	HEBEL	LEVIER
0721	900426388	LEVA	LEVER	HEBEL	LEVIER
0722	9005-300329	PROLUNGA	EXTENSION CORD	VERLAENGERUNG	RALLONGE

A series of horizontal dotted lines spanning the width of the page, intended for writing or drawing.

A series of horizontal dotted lines spanning the width of the page, providing a template for writing.

Il disegno è realizzato con tutti i particolari ma solo quelli codificati sono forniti come ricambi. L'Azienda si riserva la facoltà di apportare modifiche senza preavviso.



Via per Carpi, n°9 - 42015 Correggio (RE) ITALY
Tel. 0522 639 111 - Telefax 0522 639 150
info@corghi.com - www.corghi.com

The drawing shows all parts but only the coded parts are supplied as spares. The Company reserves the right to make modifications without prior notice.

COMIM - Cod. -328386 - Rif. 901000433.