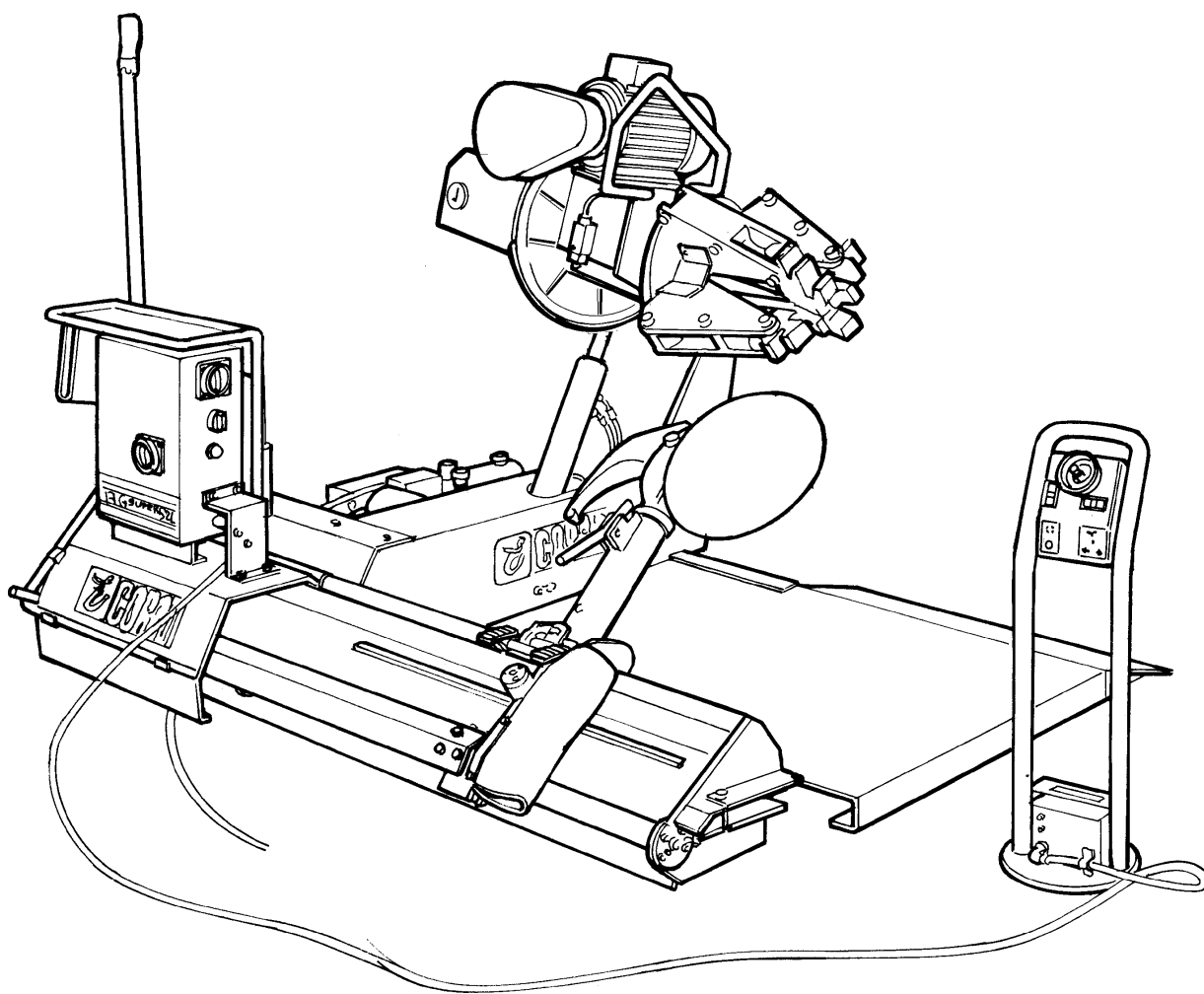


Questo libretto non autorizza l'utente ad intervenire sulle macchine ad esclusione di quanto esplicitamente descritto nel Manuale d'uso, ma consente all'utente di fornire informazioni precise all'Assistenza tecnica, al fine di ridurre i tempi di intervento.

AG 52 L

The "Spare parts" booklet does not authorize the user to carry out work on the machine unless expressly specified in the instruction manual, but does enable him to provide accurate information to the assistance service in order to reduce downtime.

PEZZI DI RICAMBIO SPARE PARTS LIST ERSATZTEILLISTE PIECES DE RECHANGE



Versione

3.0

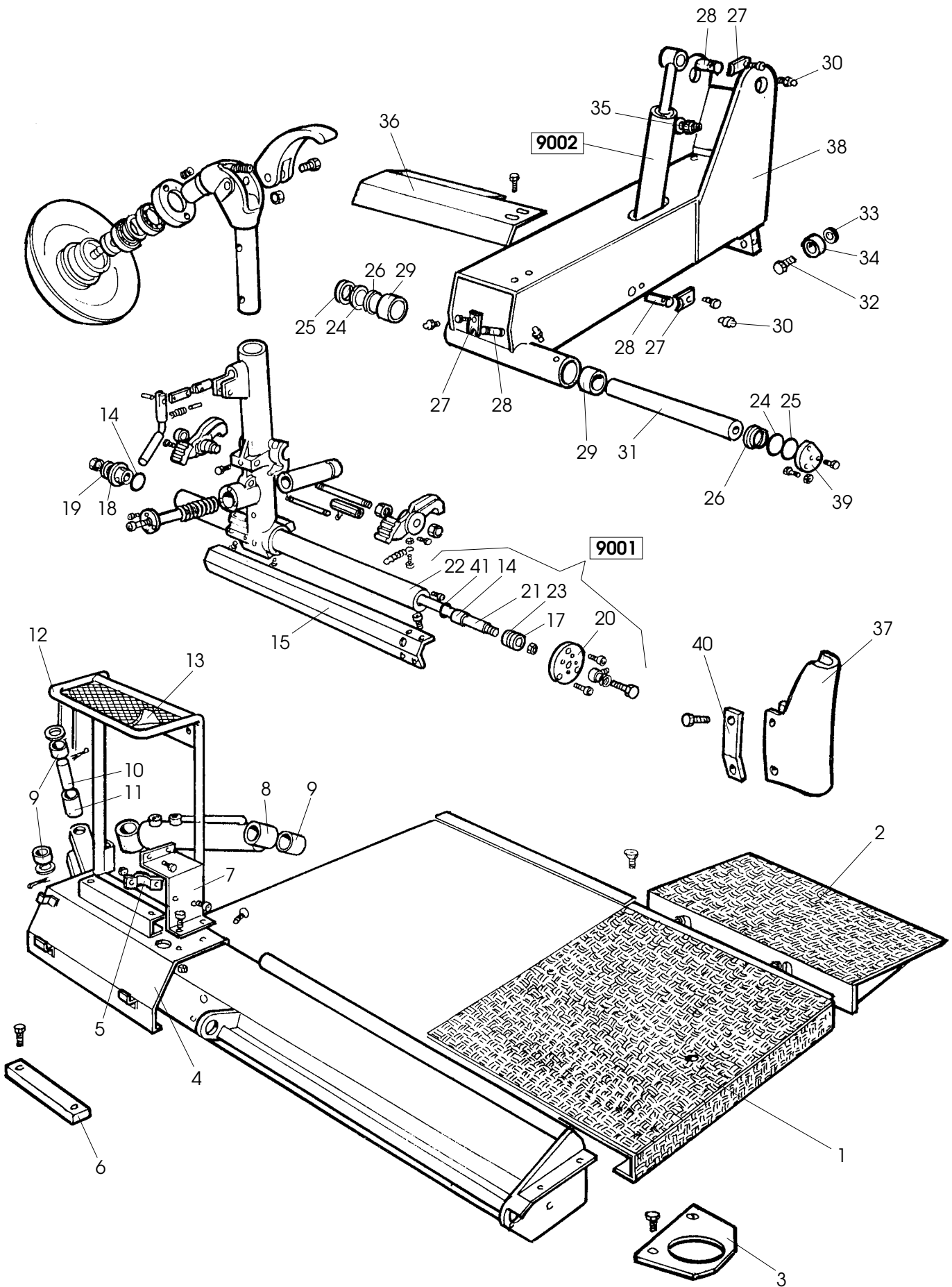
In produzione da
Production from
Herstellung ab
Production

06 / 00

Der Katalog Ersatzteile stellt keine Genehmigung zu eigenmächtigen Eingriffen dar (mit Ausnahme jener im Handbuch beschriebenen), sondern er soll den Anwender in die Lage versetzen, dem technischen Service präzise Informationen zu liefern, um die Reparaturzeiten zu verkürzen.



Le livret "Pièces de rechange", n'autorise pas l'utilisateur à intervenir sur les machines, sauf pour tout ce qui est clairement décrit dans le manuel d'utilisation, mais lui permet de fournir des informations précises à l'assistance technique, afin de diminuer les délais d'intervention.

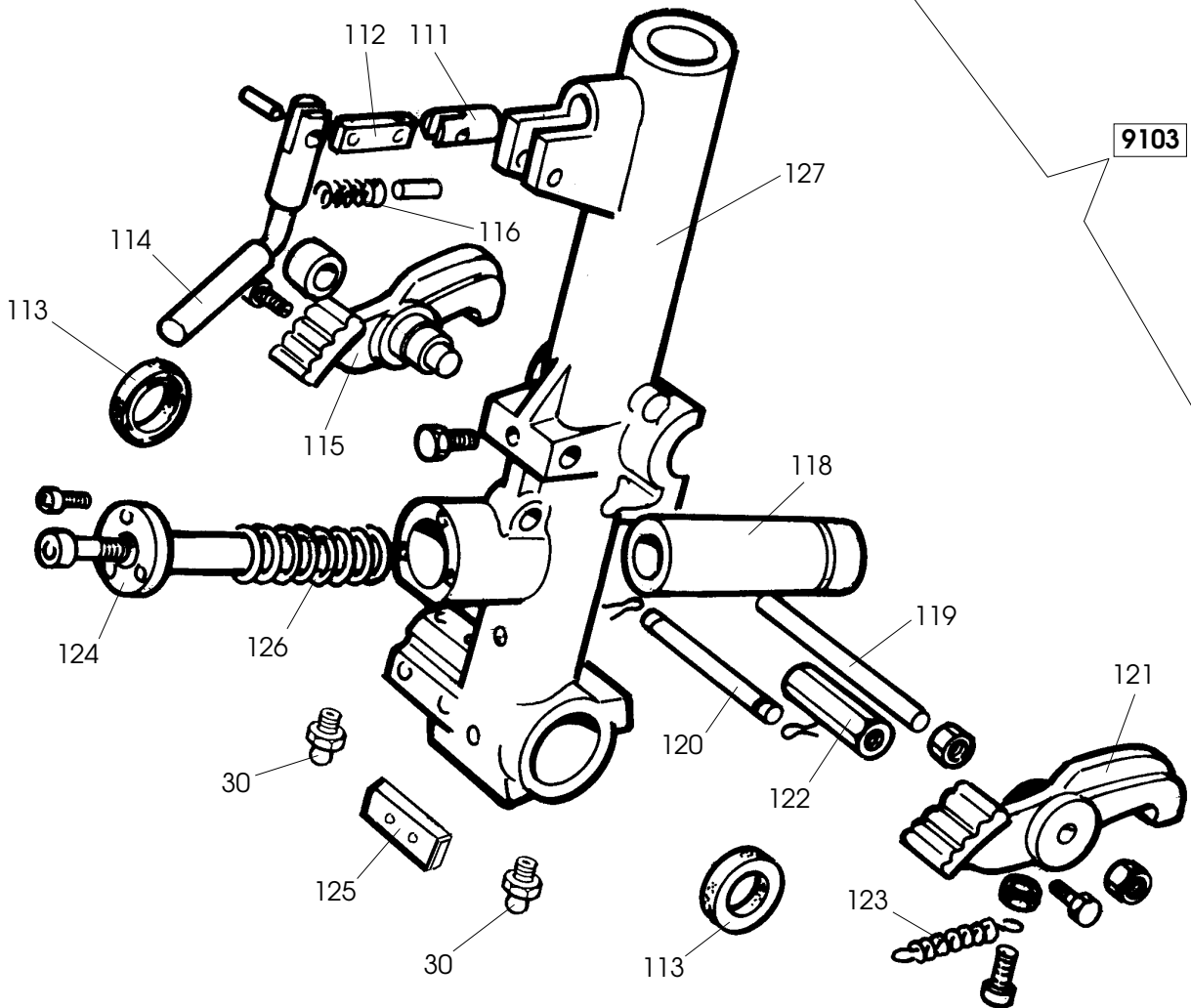
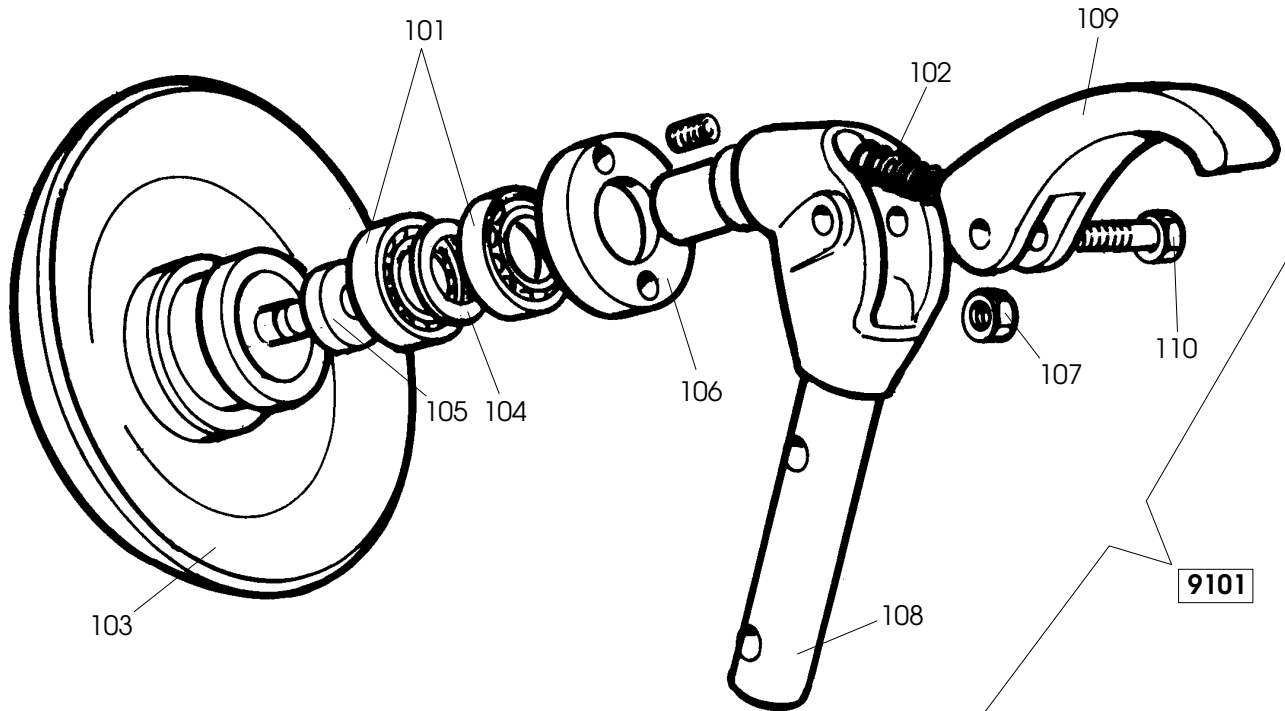


0001	900237497	PEDANA	PLATFORM	PLATTFORM	PLATE-FORME
0002	900237494	RAMPA	RAMP	RAMPE	RAMPE
0003	900329660	LAMIERA	METAL SHEET	BLECH	TOLE
0004	900235458	LAMIERA	METAL SHEET	BLECH	TOLE
0005	900338372	FASCETTA	STRAP	SCHLAUCHSCHELLE	COLLIER
0006	900337489	TRAFILATO	DRAWN	GEZOGEN	TREFILE
0007	900334422	PERNO	PIN	ZAPFEN	PIVOT
0008	900234451	CILINDRO	CYLINDER	ZYLINDER	CYLINDRE
0009	900317421	TUBO	PIPE	ROHR	TUYAU
0010	900317425	SPINOTTO	GUDGEON	KOLBENBOLZEN	GOUJON
0011	900434466	BOCCOLA	BUSHING	LAGER	DOUILLE
0012	900235457	TUBO	PIPE	ROHR	TUYAU
0013	900334842	DISTANZIALE	SPACER	ABSTANDSSTUECK	ENTRETOISE

9001	900248588	CILINDRO	CYLINDER	ZYLINDER	CYLINDRE
0014	900321787	DISTANZIALE	SPACER	ABSTANDSSTUECK	ENTRETOISE
0017	900321786	STANTUFFO	PISTON	KOLBEN	PISTON
0020	900348586	FLANGIA	FLANGE	FLANSCH	FLASQUE
0021	900336116	PERNO	PIN	ZAPFEN	PIVOT
0022	900348585	TUBO	PIPE	ROHR	TUYAU
0023	900421832	GUARNIZIONE	SEAL	DICHTUNG	JOINT
0041	900430291	GUARNIZIONE	SEAL	DICHTUNG	JOINT

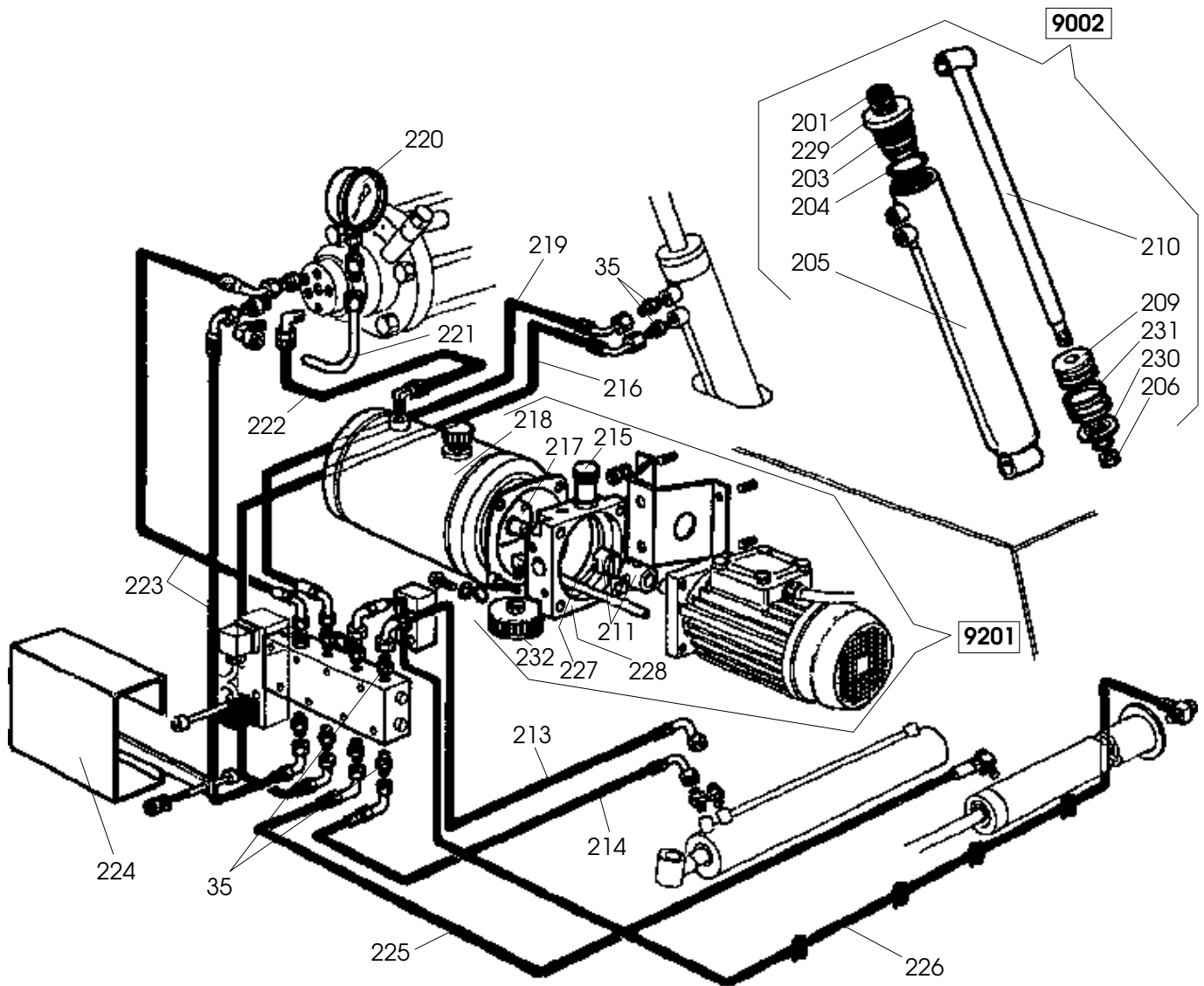
0015	900247794	PROFILATO	METAL SECTION	FORMEISEN	PROFILE
0018	900348587	FLANGIA	FLANGE	FLANSCH	FLASQUE
0019	900422702	GUARNIZIONE	SEAL	DICHTUNG	JOINT
0024	900319510	RONDELLA	WASHER	UNTERLEGSCHIEBE	RONDELLE
0025	900417822	ANELLO	RING	RING	ANNEAU
0026	900417823	ANELLO	RING	RING	ANNEAU
0027	900321834	FERMO	RETAINER	ANSCHLAG	ARRET
0028	900334272	FULCRO	FULCRUM	DREHPUNKT	ENTABLURE
0029	900434310	BRONZINA	BRASS	LAGERBUCHSE	COUSSINET EN BRONZE
0030	900429406	INGRASSATORE	LUBRICATOR	SCHMIERNIPPEL	GRAISSEUR
0031	900322973	PERNO	PIN	ZAPFEN	PIVOT
0032	900341909	PERNO	PIN	ZAPFEN	PIVOT
0033	900341998	RONDELLA	WASHER	UNTERLEGSCHIEBE	RONDELLE
0034	900241999	ROTELLA	WHEEL	RAEDCHEN	ROULETTE
0035	900417627	ADATTATORE	ADAPTER	ADAPTER	ADAPTATEUR
0036	900346350	PROTEZIONE	SHIELD	ABDECKUNG	PROTECTION
0037	900346346	PROTEZIONE	SHIELD	ABDECKUNG	PROTECTION
0038	900236913	CARRELLO	TROLLEY	WAGEN	CHARIOT
0039	900322972	FLANGIA	FLANGE	FLANSCH	FLASQUE
0040	900346347	PROTEZIONE	SHIELD	ABDECKUNG	PROTECTION

9002	900217433	CILINDRO	CYLINDER	ZYLINDER	CYLINDRE
-------------	------------------	-----------------	-----------------	-----------------	-----------------



9101	900236486	UTENSILE	TOOL	WERKZEUG	OUTIL
0101	900601831	CUSCINETTO	BEARING	LAGER	ROULEMENT
0102	900421596	MOLLA	SPRING	FEDER	RESSORT
0103	900236453	DISCO	DISK	SCHEIBE	DISQUE
0104	900337004	DISTANZIALE	SPACER	ABSTANDSSTUECK	ENTRETOISE
0105	900337003	RONDELLA	WASHER	UNTERLEGSCHIEBE	RONDELLE
0106	900337002	GHIERA	NUT	NUTMUTTER	BAGUE
0107	900601194	DADO	NUT	MUTTER	ECROU
0108	900236485	SUPPORTO	SUPPORT	LAGER	SUPPORT
0109	900237503	UTENSILE	TOOL	WERKZEUG	OUTIL
0110	900336480	FULCRO	FULCRUM	DREHPUNKT	ENTABLURE

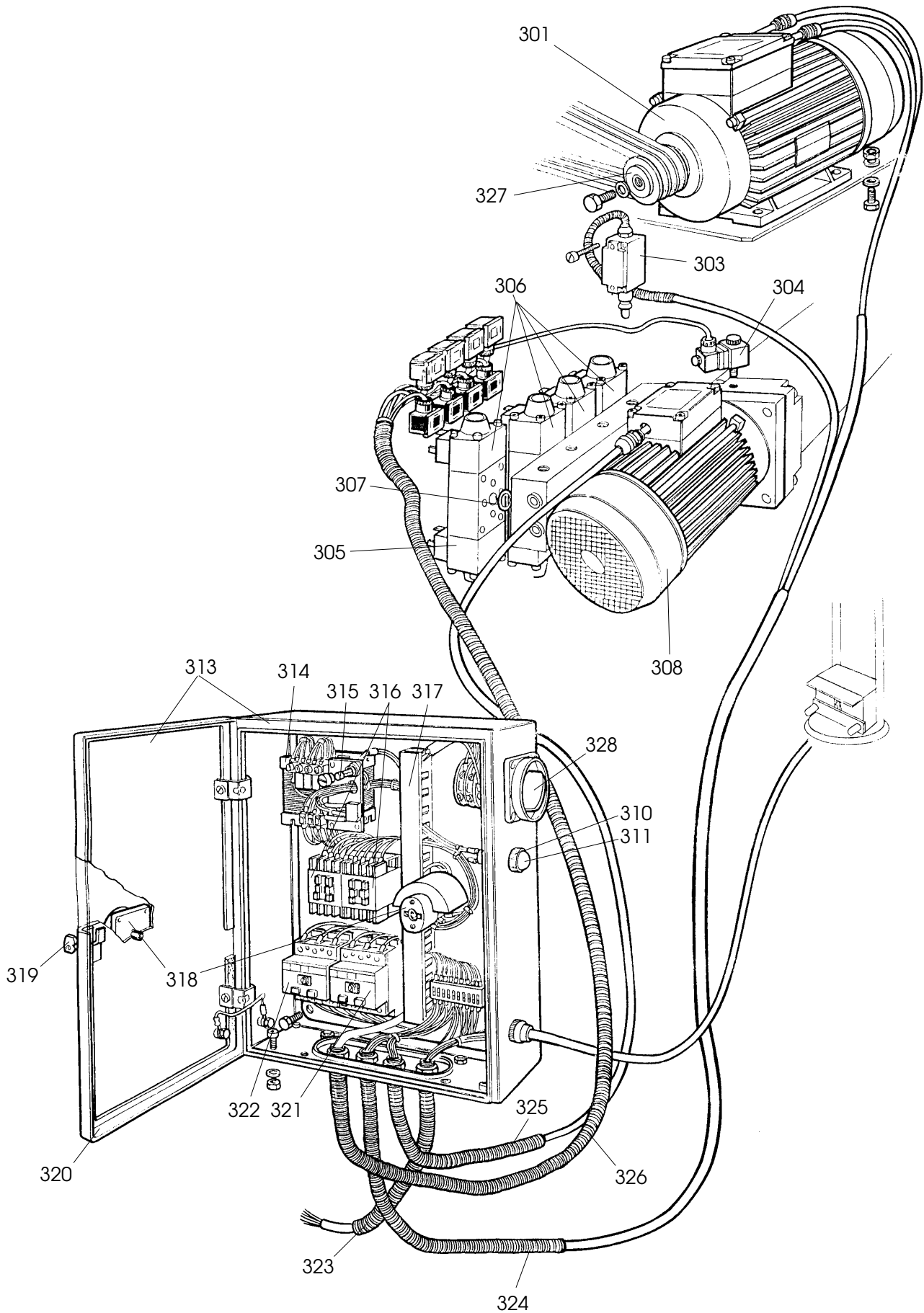
9103	900249600	ASTUCCIO	BOX	ETUI	ETUI
0030	900429406	INGRASSATORE	LUBRICATOR	SCHMIERNIPPEL	GRAISSEUR
0111	900336467	LEVA	LEVER	HEBEL	LEVIER
0112	900336469	BIELLA	TRACE	PLEUELSTANGE	BIELLE
0113	900447828	GUARNIZIONE	SEAL	DICHTUNG	JOINT
0114	900336468	MANIGLIA	HANDLE	HANDGRIFF	POIGNEE
0115	900321798	CRICCHETTO	CRICK	SPERRKLINKE	CLIQUET
0116	900436490	MOLLA	SPRING	FEDER	RESSORT
0118	900236462	FODERO PER MOLLA	SPRING SHEATH	FEDER HUELSE	FOURREAU RESSORT
0119	900338295	PERNO	PIN	ZAPFEN	PIVOT
0120	900338293	GANCIO	HOOK	HAKEN	CROCHET
0121	900337037	CRICCHETTO	CRICK	SPERRKLINKE	CLIQUET
0122	900338294	PERNO	PIN	ZAPFEN	PIVOT
0123	900421828	MOLLA	SPRING	FEDER	RESSORT
0124	900236470	TUBO	PIPE	ROHR	TUYAU
0125	900344893	SLITTA	SLIDE	SCHLITTEN	CHARIOT
0126	900437519	MOLLA	SPRING	FEDER	RESSORT
0127	900247831	ASTUCCIO	BOX	ETUI	ETUI



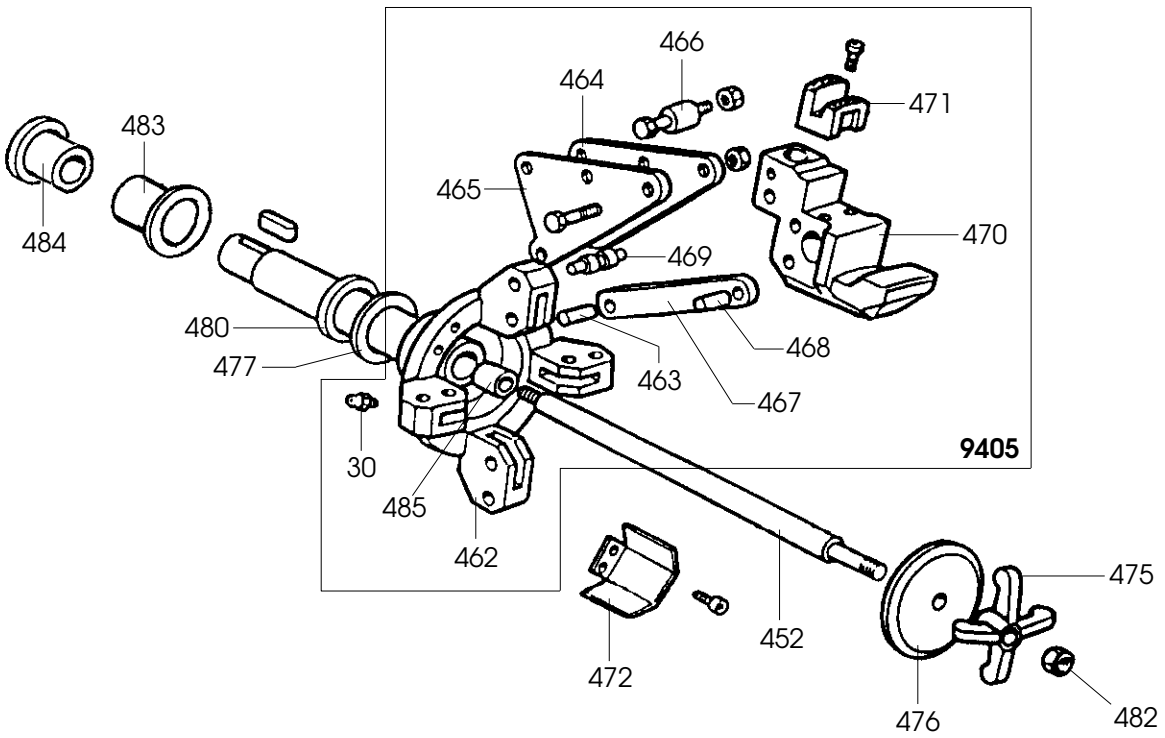
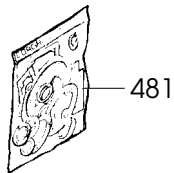
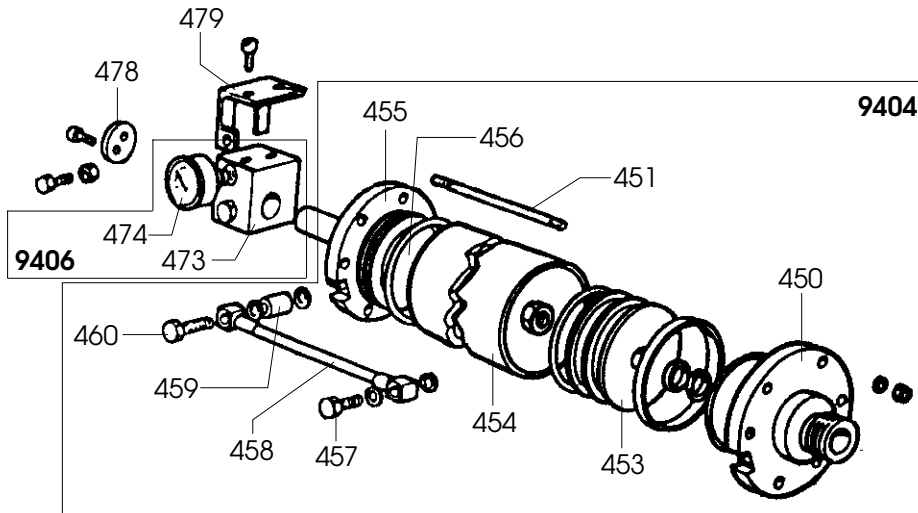
9002	900217433	CILINDRO	CYLINDER	ZYLINDER	CYLINDRE
0201	900420179	PARAPOLVERE	SHIELD	ABDECKUNG	PROTECTION
0203	900422612	GHIERA	NUT	NUTMUTTER	BAGUE
0204	900418239	GUARNIZIONE	SEAL	DICHTUNG	JOINT
0205	900418237	CORPO	BODY	KOERPER	CORPS
0206	900422621	DADO	NUT	MUTTER	ECROU
0209	900430152	PISTONE	PISTON	KOLBEN	PISTON
0210	900418236	STELO	STEM	SCHAFT	TIGE
0229	900424355	GUARNIZIONE	SEAL	DICHTUNG	JOINT
0230	900417747	ANELLO	RING	RING	ANNEAU
0231	900424358	GUARNIZIONE	SEAL	DICHTUNG	JOINT

		CENTRALINA	POWER PACK	STEUERGERAET	UNITE DE CONTROLE
9201	900234259	220/380V 3ph 60Hz			
9201	900234258	220/380/415V 3ph 50Hz			
9201	900234315	260/440V 3ph 50Hz			
9201	900234318	260/440V 3ph 60Hz			
9201	900234494	550V 3ph 60Hz			
0211	900424612	GIUNTO	COUPLING	KUPPLUNG	ACCOUPLLEMENT
0215	900439390	VALVOLA	VALVE	VENTIL	VANNE
		POMPA	PUMP	PUMPE	POMPE
0217	900435366	50Hz CPL6,7	50Hz CPL6,7	50Hz CPL6,7	50Hz CPL6,7
0217	900435375	60Hz K1PS9,2	60Hz K1PS9,2	60Hz K1PS9,2	60Hz K1PS9,2
0218	900435365	SERBATOIO	TANK	TANK	RESERVOIR
0227	900428538	GUARNIZIONE	SEAL	DICHTUNG	JOINT
0228	900444445	FLANGIA	FLANGE	FLANSCH	FLASQUE
0232	900451493	FILTRO	FILTER	FILTER	FILTRE

0035	900417627	ADATTATORE	ADAPTER	ADAPTER	ADAPTATEUR
0213	900435425	TUBO	PIPE	ROHR	TUYAU
0214	900434243	TUBO	PIPE	ROHR	TUYAU
0216	900434241	TUBO	PIPE	ROHR	TUYAU
0219	900434242	TUBO	PIPE	ROHR	TUYAU
0220	900434478	MANOMETRO	PRESSURE GAUGE	DRUCKMESSER	MANOMETRE
0221	900334427	TUBO	PIPE	ROHR	TUYAU
0222	900701684	TUBO	PIPE	ROHR	TUYAU
0223	900434239	TUBO	PIPE	ROHR	TUYAU
0224	900334909	PROTEZIONE	SHIELD	ABDECKUNG	PROTECTION
0225	900434245	TUBO	PIPE	ROHR	TUYAU
0226	900436110	TUBO	PIPE	ROHR	TUYAU



		MOTORE 2V	MOTOR	MOTOR	MOTEUR
0301	900418050	220V 3ph 50Hz			
0301	900424020	220V 3ph 60Hz			
0301	900417887	380V 3ph 50Hz			
0301	900436251	380V 3ph 60Hz			
0301	900424950	440V 3ph 50Hz			
0301	900433232	440V 3ph 60Hz			
0301	900433755	550V 3ph 60Hz			
0303	900422041	INTERRUTTORE	SWITCH	SCHALTER	INTERRUPTEUR
0304	900235497	VALVOLA	VALVE	VENTIL	VANNE
0305	900449088	BOBINA	COIL	SPULE	BOBINE
0306	900442303	ELETTROMAGNETE	ELECTROMAGNET	ELEKTROMAGNET	ELECTRO-AIMANT
0307	900424620	ANELLO	RING	RING	ANNEAU
		MOTORE 2hp	MOTOR	MOTOR	MOTEUR
0308	900430651	220/380V 3ph 60Hz			
0308	900430648	220/380/415V 3ph 50Hz			
0308	900430649	260/440V 3ph 50Hz			
0310	900422040	SPIA	PILOT LAMP	KONTROLLEUCHTE	TEMOIN
0311	950415012	LAMPADA	LAMP	LAMPE	LAMPE
0312	900236634	COPERCHIO	LID	DECKEL	COUVERCLE
0313	900449792	CASSA	CASE	KASTEN	CAISSE
0314	900446502	TRASFORMATORE	TRANSFORMER	TRANSFORMATOR	TRANSFORMATEUR
0315	900429692	FUSIBILE	FUSE	SICHERUNG	FUSIBLE
0316	900424701	TELERUTTORE	REMOTE SWITCH	FERNASCHALTER	TELERUPTEUR
0317	900437540	ANTIVIBRANTE	VIBRATION DAMP	SCHWINGUNGSDAEM.	ANTI-VIBRATION
0318	900435368	INTERRUTTORE	SWITCH	SCHALTER	INTERRUPTEUR
0319	900427755	CHIAVE	WRENCH	SCHLUESSEL	CLEF
0320	900436641	GUARNIZIONE	SEAL	DICHTUNG	JOINT
0321	900491975	SALVAMOTORE	O.LOAD CUTOUT	UEBERLAST-SCHALTER	DISJONCTEUR
0322	900491895	SALVAMOTORE	O.LOAD CUTOUT	UEBERLAST-SCHALTER	DISJONCTEUR
0323	900236602	CAVO	CABLE	KABEL	CABLE
0324	900236600	CAVO	CABLE	KABEL	CABLE
0325	900236599	CAVO	CABLE	KABEL	CABLE
0326	900236601	CAVO	CABLE	KABEL	CABLE
0327	900355892	PULEGGIA	PULLEY	RIEMENSCHIEBE	POULIE
0328	900444326	COMMUTATORE	COMMUTATOR	SCHALTER	COMMUTATEUR



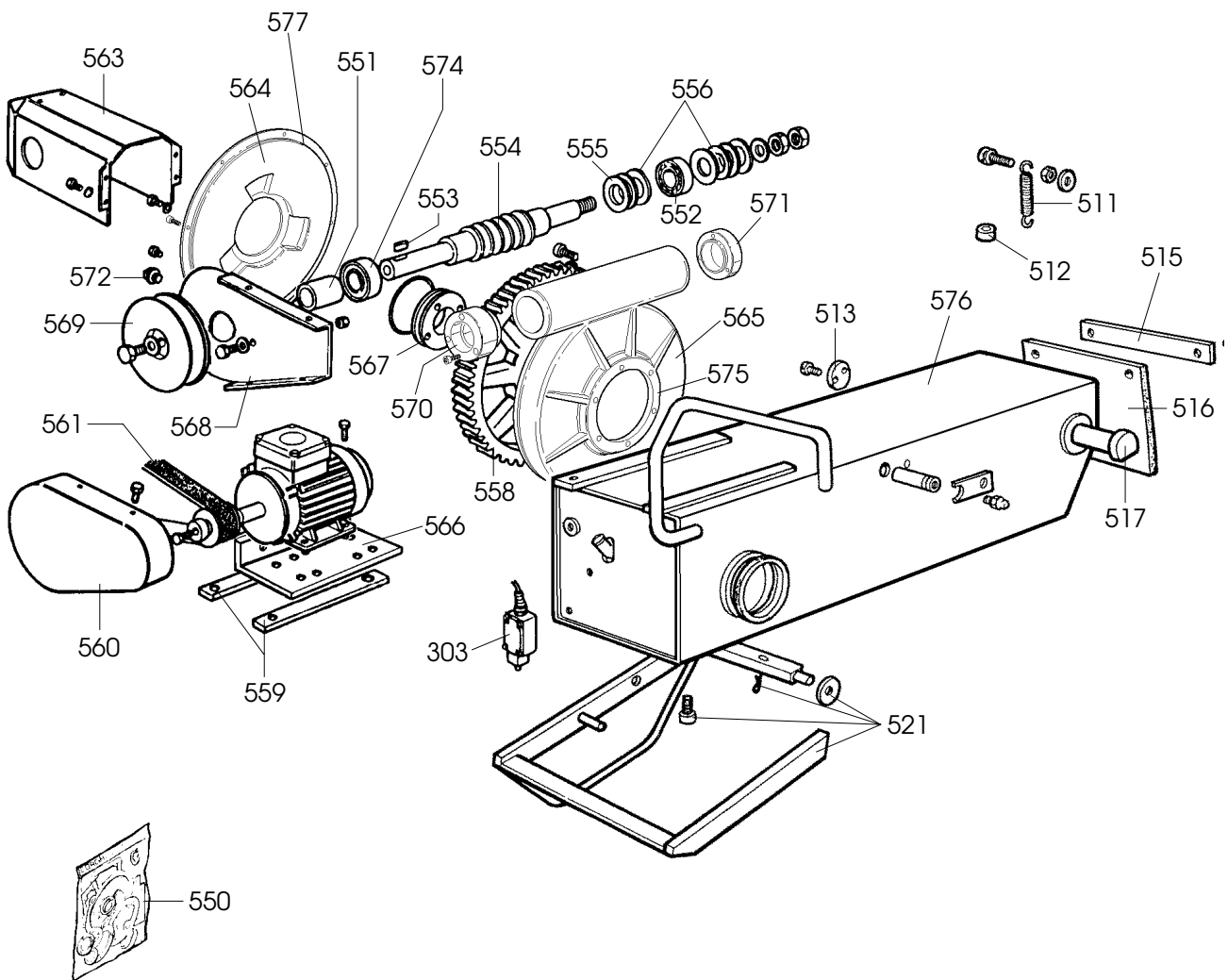
9404	900239119	CILINDRO Ø120	CYLINDER	ZYLINDER	CYLINDRE
0450	900239118	FLANGIA	FLANGE	FLANSCH	FLASQUE
0451	900334204	TIRANTE	STAY ROD	ZUGSTANGE	TIRANT
0452	900338599	STELO	STEM	SCHAFT	TIGE
0453	900338604	STANTUFFO	PISTON	KOLBEN	PISTON
0454	900338710	CILINDRO	CYLINDER	ZYLINDER	CYLINDRE
0455	900338777	FLANGIA	FLANGE	FLANSCH	FLASQUE
0456	900440357	TAPPO	PLUG	STOPFEN	BOUCHON
0457	900322489	PERNO	PIN	ZAPFEN	PIVOT
0458	900434426	TUBO	PIPE	ROHR	TUYAU
0459	900335283	PROLUNGA	EXTENSION CORD	VERLAENGERUNG	RALLONGE
0460	900335284	VITE	SCREW	SCHRAUBE	VIS

9405	900255538	AUTOCENTRANTE	TURNTABLE	SPANNFUTTER	PLATEAU AUTOCENT.
0030	900429406	INGRASSATORE	LUBRICATOR	SCHMIERNIPPEL	GRAISSEUR
0462	900354329	MANDRINO	SPINDLE	SPINDEL	MANDRIN
0463	900321564	SPINOTTO	GUDGEON	KOLBENBOLZEN	GOUJON
0464	900334156	PIASTRA	SLAB	PLATTE	PLAQUE
0465	900334157	PIASTRA	SLAB	PLATTE	PLAQUE
0466	900334160	DISTANZIALE	SPACER	ABSTANDSSTUECK	ENTRETOISE
0467	900334163	BIELLA	TRACE	PLEUELSTANGE	BIELLE
0468	900334164	SPINOTTO	GUDGEON	KOLBENBOLZEN	GOUJON
0469	900334170	RULLO	ROLLER	WALZE	ROULEAU
0470	900334201	SUPPORTO	SUPPORT	LAGER	SUPPORT
0471	900421556	GRIFFA	JAW	BACKE	MORS
0485	900438592	BRONZINA	BRASS	LAGERBUCHSE	COUSSINET

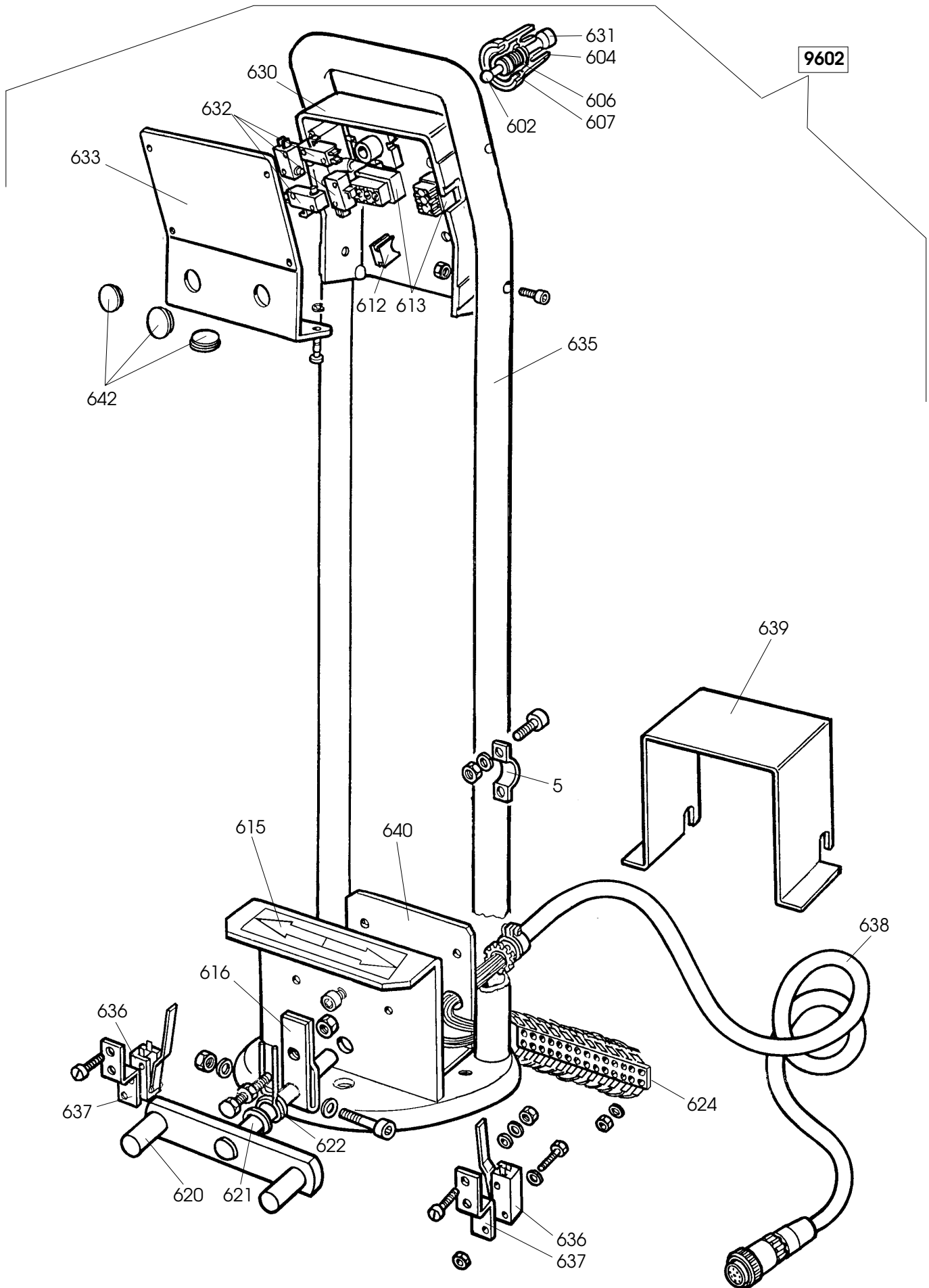
0472	900341289	CARTER	CASING	GEHAUSE	CARTER
------	-----------	--------	--------	---------	--------

9406	900239596	DISTRIBUTORE	DISTRIBUTOR	VERTEILER	DISTRIBUTEUR
0473	900440387	DISTRIBUTORE	DISTRIBUTOR	VERTEILER	DISTRIBUTEUR
0474	900441979	MANOMETRO	PRESSURE GAUGE	DRUCKMESSER	MANOMETRE

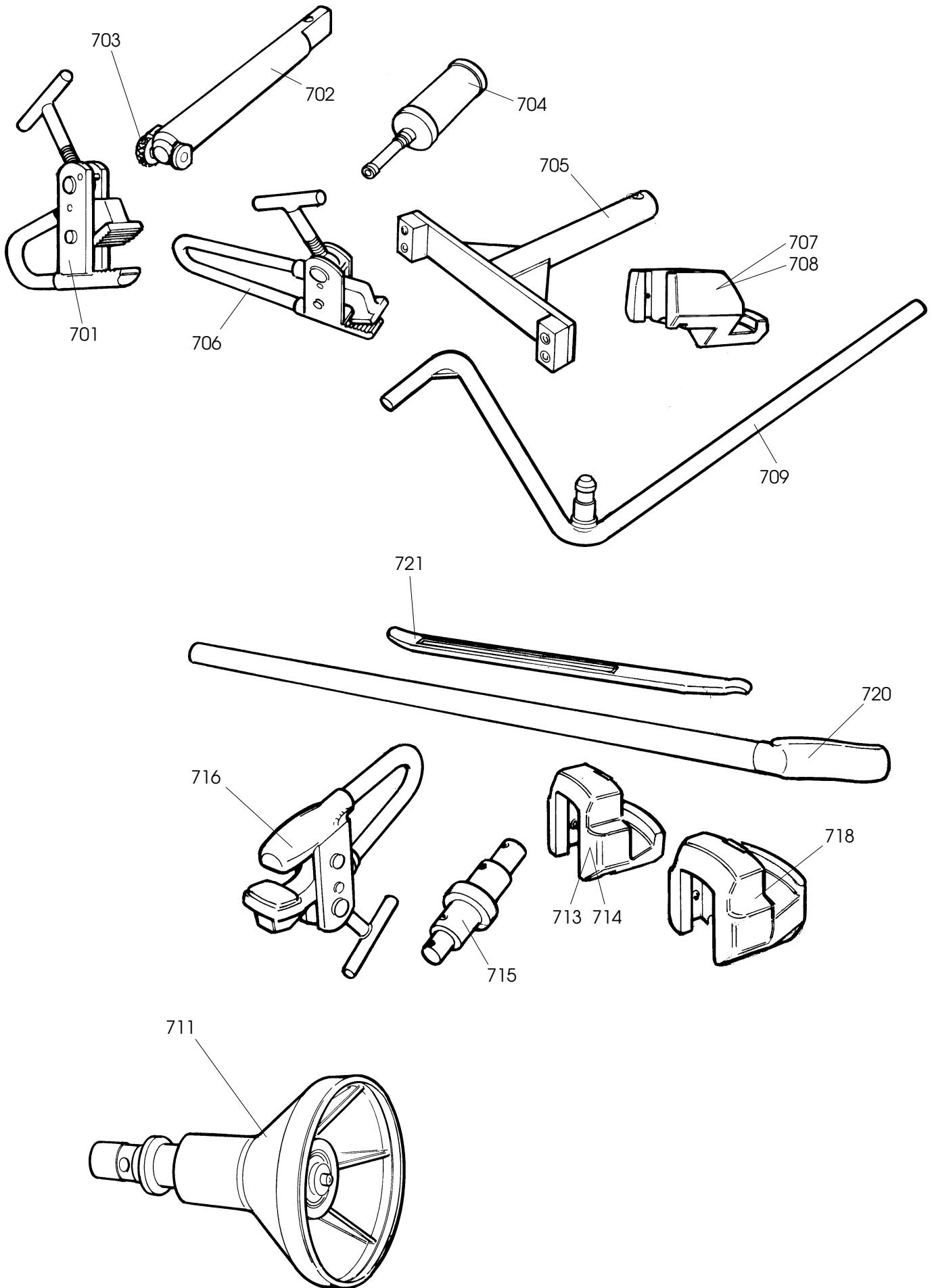
0475	900338600	CROCE	CROSS	KREUZ	CROIX
0476	900338601	DISCO	DISK	SCHEIBE	DISQUE
0477	900355174	ANELLO	RING	RING	ANNEAU
0478	900338778	RONDELLA	WASHER	UNTERLEGSCHIEBE	RONDELLE
0479	900339538	FERMO	RETAINER	ANSCHLAG	ARRET
0480	900354976	RONDELLA	WASHER	UNTERLEGSCHIEBE	RONDELLE
0481	900242012	KIT GUARNIZ. (9201)	SEALS KIT (9201)	DICHTUNGSATZ (9201)	KIT JOINTS (9201)
0482	900691674	DADO	NUT	MUTTER	ECROU
0483	900355175	BRONZINA	BRASS	LAGERBUCHSE	COUSSINET EN BRONZE
0484	900453344	BRONZINA	BRASS	LAGERBUCHSE	COUSSINET EN BRONZE



0303	900422041	INTERRUTTORE	SWITCH	SCHALTER	INTERRUPTEUR
0511	900417834	MOLLA	SPRING	FEDER	RESSORT
0512	900305022	DISTANZIALE	SPACER	ABSTANDSSTUECK	ENTRETOISE
0513	900341681	RONDELLA	WASHER	UNTERLEGSCHIEBE	RONDELLE
0515	900346349	SUPPORTO	SUPPORT	LAGER	SUPPORT
0516	900346348	PROTEZIONE	SHIELD	ABDECKUNG	PROTECTION
0517	900346390	PERNO	PIN	ZAPFEN	PIVOT
0521	900220127	PEDALE	PEDAL	PEDAL	PEDALE
0550	900242013	KIT GUARNIZ. (9205)	SEALS KIT (9205)	DICHTUNGSATZ (9205)	KIT JOINTS (9205)
0551	900354881	DISTANZIALE	SPACER	ABSTANDSSTUECK	ENTRETOISE
0552	900601034	CUSCINETTO	BEARING	LAGER	ROULEMENT
0553	900600716	LINGUETTA	TANG	FEDERKEIL	LANGUETTE
0554	900317275	VITE	SCREW	SCHRAUBE	VIS
0555	900317281	RONDELLA	WASHER	UNTERLEGSCHIEBE	RONDELLE
0556	900601035	CUSCINETTO	BEARING	LAGER	ROULEMENT
0558	900341541	RUOTA	WHEEL	RAD	ROUE
0559	900340985	SUPPORTO	SUPPORT	LAGER	SUPPORT
0560	900455891	CARTER	CASING	GEHAUSE	CARTER
0561	900455894	CINGHIA 50HZ	BELT 50HZ	RIEMEN 50HZ	COURROIE 50HZ
0561	900455897	CINGHIA 60HZ	BELT 60HZ	RIEMEN 60HZ	COURROIE 60HZ
0563	900253346	CARTER	CASING	GEHAUSE	CARTER
0564	900354213	COPERCHIO	LID	DECKEL	COUVERCLE
0565	900354212	SCATOLA	BOX	SCHACHTEL	BOITE
0566	900355937	FLANGIA	FLANGE	FLANSCH	FLASQUE
0567	900353343	FLANGIA	FLANGE	FLANSCH	FLASQUE
0568	900353245	CARTER	CASING	GEHAUSE	CARTER
0569	900355893	PULEGGIA	PULLEY	RIEMENSCHIEBE	POULIE
0570	900354876	TAPPO	PLUG	BOUCHON	STOPFEN
0571	900354875	TAPPO	PLUG	BOUCHON	STOPFEN
0572	900447643	INDICATORE	STATUS LIGHT	ANZEIGER	INDICATEUR
0574	900602213	CUSCINETTO	BEARING	LAGER	ROULEMENT
0575	900358951	GUARNIZIONE	SEAL	DICHTUNG	JOINT
0576	900259119	BRACCIO	ARM	ARM	BRAS
0577	900454882	GUARNIZIONE	SEAL	DICHTUNG	JOINT



9602	900255623	MANIPOLATORE	MANIPULATOR	MANIPULATOR	MANIPULATEUR
0005	900338372	FASCETTA	STRAP	SCHLAUCHSCHELLE	COLLIER
0602	900339000	LEVA	LEVER	HEBEL	LEVIER
0604	900435301	PROTEZIONE	SHIELD	ABDECKUNG	PROTECTION
0606	900439697	MOLLA	SPRING	FEDER	RESSORT
0607	900339002	GUIDA	GUIDE	FUEHRUNG	GLISSIERE
0612	900441518	PROTEZIONE	SHIELD	ABDECKUNG	PROTECTION
0613	900439569	INTERRUTTORE	SWITCH	SCHALTER	INTERRUPTEUR
0615	900421502	TARGHETTA	DATA PLATE	TYPENSCHILD	PLAQUETTE
0616	900317491	LEVA	LEVER	HEBEL	LEVIER
0620	900217479	PEDALE	PEDAL	PEDAL	PEDALE
0621	900325050	DISTANZIALE	SPACER	ABSTANDSSTUECK	ENTRETOISE
0622	900401270	MOLLA	SPRING	FEDER	RESSORT
0630	900255791	SUPPORTO	SUPPORT	LAGER	SUPPORT
0631	900355781	POMOLO	KNOB	BALLENGRIFF	POMMEAU
0632	900454405	MICROINTERRUTT.	MICROSWITCH	MIKROSCHALTER	MICROINTERRUPT.
0633	900355779	COPERCHIO	LID	DECKEL	COUVERCLE
0635	900255783	PEDALE	PEDAL	PEDAL	PEDALE
0636	900440874	MICROINTERRUTT.	MICROSWITCH	MIKROSCHALTER	MICROINTERRUPT.
0637	900355786	STAFFA	BRACKET	KLAUE	ETRIER
0638	900255627	CAVO	CABLE	KABEL	CABLE
0639	900355788	CARTER	CASING	GEHAUSE	CARTER
0640	900355799	SUPPORTO	SUPPORT	LAGER	SUPPORT
0641	900455626	SCHEDA ELETTRON.	P.C.BOARD	ELEKTR.PLATINE	FICHE ELECTR.
0642	950458119	TAPPO	PLUG	STOPFEN	BOUCHON



 CORCHI	AG 52 L	Fig. H	02a/96	Accessori
--	----------------	---------------	---------------	------------------

0701	900219244	PINZA	PLIERS	ZANGE	PINCE
0702	900234230	STELO	STEM	SCHAFT	TIGE
0703	900418785	FERMO	RETAINER	ANSCHLAG	ARRET
0704	900435443	INGRASSATORE	LUBRICATOR	SCHMIERNIPPEL	GRAISSEUR
0705	801237727	Serie 4 prolunghe Kleber		Set of 4 adapters Kleber	
0706	801224201	PINZA lunga	PLIERS	ZANGE	PINCE
0707	801237802	Serie 4 griffe J. Deere		Set of 4 jaws J. Deere	
0708	900237803	GRIFFA	JAW	BACKE	MORS
0709	900217617	LEVA	LEVER	HEBEL	LEVIER
0711	801243547	RULLO per tebeless	ROLLER	WALZE	ROULEAU
0713	801235448	Serie 4 griffe per cerchi in lega		Set of 4 jaws for ALU rim	
0714	900239975	GRIFFA	JAW	BACKE	MORS
0715	801237171	PERNO (cerchi lega)	PIN for ALU	ZAPFEN	PIVOT
0716	801227195	PINZA (cerchi lega)	PLIERS for ALU	ZANGE	PINCE
0718	801239974	Serie 4 griffe cerchi in lega VOLVO		Set of 4 jaws for VOLVO ALU rim	
0720	900236906	LEVA	LEVER	HEBEL	LEVIER
0721	900426388	LEVA	LEVER	HEBEL	LEVIER



AG 52 L

Note

A series of horizontal dashed lines spanning the width of the page, providing a template for writing notes.



AG 52 L

Note

A series of horizontal dashed lines for writing notes, spanning the width of the page below the header.

Il disegno è realizzato con tutti i particolari ma solo quelli codificati sono forniti come ricambi. L'Azienda si riserva la facoltà di apportare modifiche senza preavviso.



S.S. 468 n°9 - 42015 Correggio (RE) ITALY
Tel. ++39 0522 639111 - Fax ++39 0522 639150
www.corghi.com - info@corghi.com

The drawing shows all parts but only the coded parts are supplied as spares. The Company reserves the right to make modifications without prior notice.